



6200-001/ 6200-003

CAST SPIKE CLOSE WHEEL KIT

2565-734_REV_G 09/2024



FOREWORD

You've just joined an exclusive but rapidly growing club.
For our part, we want to welcome you to the group and thank you for buying a Yetter product.

We hope your new Yetter products will help you achieve both goals-increase your productivity and increase your efficiency so that you may generate more profit.

This operator's manual has been designed into four major sections: Foreword, Safety Precautions, Installation Instructions and Parts Breakdown.

This **SAFETY ALERT SYMBOL** indicates important safety messages in the manual. When you see this symbol, be alert to the possibility of **PERSONAL INJURY** and carefully read the message that follows.



DANGER: Indicates an imminently hazardous situation which, if not avoided "will" result in death or serious injury. This signal word is to be limited to the most extreme situations



WARNING: Indicates a potentially hazardous situation which, if not avoided, "could" result in death or serious injury.



CAUTION: Indicates a potentially hazardous situation, which if not avoided, "may" result in minor or moderate injury. It may also be used to alert against unsafe practices.



NOTICE: Indicates information considered important, but not hazard related (e.g., messages relating to property damage).

It is the responsibility of the user to read the operator's manual and comply with the safe and correct operating procedure and to lubricate and maintain the product according to the maintenance schedule in the operator's manual.

The user is responsible for inspecting his machine and for having parts repaired or replaced when continued use of the product would cause damage or excessive wear to the other parts.

It is the user's responsibility to deliver his machine to the Yetter dealer who sold him the product for service or replacement of defective parts, which are covered by the warranty policy.

If you are unable to understand or follow the instructions provided in this publication, consult your local Yetter dealer or contact:

YETTER MANUFACTURING CO.

309/776-4111

800/447-5777

309/776-3222 (FAX)

Website: www.yetterco.com

E-mail: info@yetterco.com

WARRANTY

Yetter Manufacturing warrants all products manufactured and sold by it against defects in material. This warranty being expressly limited to replacement at the factory of such parts or products as shall appear to be defective after inspection. This warranty does not obligate the Company to bear cost of labor in replacement of parts. It is the policy of the Company to make improvements without incurring obligations to add them to any unit already sold. No warranty is made or authorized to be made, other than herein set forth. This warranty is in effect for one year after purchase.

DEALER: _____

Yetter Manufacturing warrants its own products only and cannot be responsible for damages to equipment on which mounted.



SAFETY PRECAUTIONS



A brief description of signal words that may be used in this manual:

DANGER: Indicates an imminently hazardous situation which, if not avoided “will” result in death or serious injury. This signal word is to be limited to the most extreme situations.

WARNING: Indicates a potentially hazardous situation which, if not avoided, “could” result in death or serious injury.

CAUTION: Indicates a potentially hazardous situation, which if not avoided, “may” result in minor or moderate injury. It may also be used to alert against unsafe practices.

NOTICE: Indicates information considered important, but not hazard related (e.g., messages relating to property damage).

Consult your implement and tractor operator’s manual for correct and safe operating practices. Be aware of towed implement width and allow safe clearance.

Safety decals are placed on the implement to alert the operator and others to the risk of personal injury or unsafe operation during normal operations and servicing.

1. The safety decals must be kept clean and in good condition to ensure that they are legible.
2. Safety decals must be replaced if they are missing or illegible.
3. When components are replaced during repair or servicing, check that the new components include the necessary safety signs.
4. Replacement safety decals may be obtained from your local dealer.



WARNING

Read these instructions carefully to acquaint yourself with the Equipment. Working with unfamiliar equipment can lead to accidents.

Never park the equipment on a steep incline or leave the equipment running unattended.

Never clean, lubricate or adjust a machine that is in motion.

Always check that straps are secure.

Make sure latches are in pinned position when moving equipment.

Do not allow children to operate this equipment.

Do not allow riders on the equipment, trailer and/or pick-up.

Use speed and caution dictated by the terrain being traversed. Do not operate on any slope steep enough to cause tipping or loss of control.

Read and understand the operator’s manual and require all other persons who will operate the equipment to do the same.

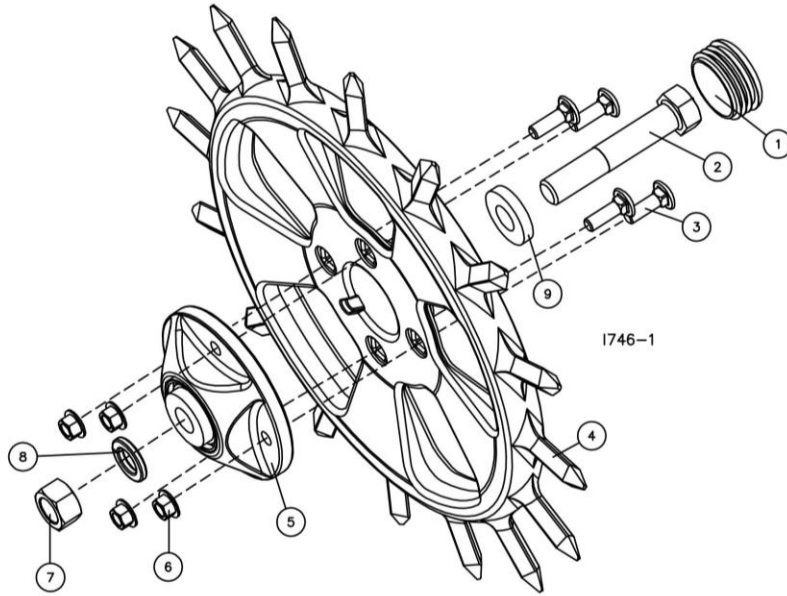
If operating on public roadways, where legal, be certain all lighting is operating properly and observe all traffic laws.

Beware of increased stopping distances and control effort when operating with implements attached.

Be familiar with all controls and be prepared to stop equipment quickly in an emergency.

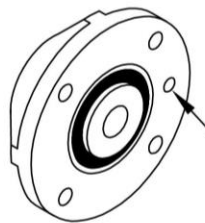
FAILURE TO HEED MAY RESULT IN PERSONAL INJURY OR DEATH.

PARTS IDENTIFICATION



6200-001 -- CAST SPIKE CLOSE WHEEL KIT -- (KINZE)

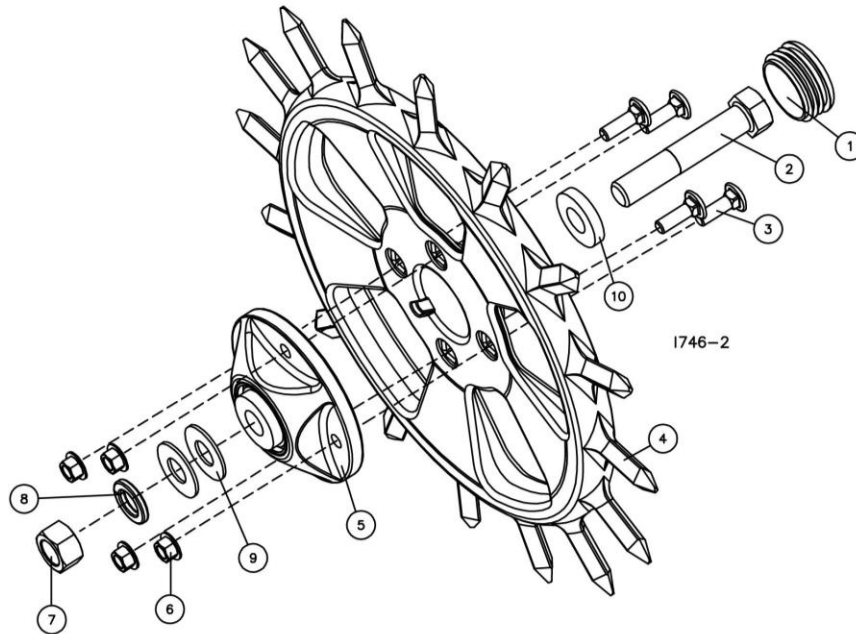
DET	QTY	PART NO.	DESCRIPTION
1	2	2515-726	POLY HUB CAP, NIAGRA #RT14
2	2	2502-325	5/8-11 X 3 HHCS GR 5 ZYD.
3	8	2505-206	5/16-18 X 1 CAR BLT GR 5 ZYD.
4	2	6200-355	CAST SPIKE WHEEL, PAINTED
5	2	2965-128	HUB AND BEARING ASSEMBLY
		2550-069	SEAL
		2570-594	BEARING
		2570-715	BEARING INSERT
		2965-351	HUB
		2533-110	1/4-28 ZERK STRAIGHT SELF-TAP
6	8	2520-206	5/16-18 HEX FLANGE SERRATED NUT
7	2	2520-452	5/8-11 HEX NUT ZYD.
8	2	2525-451	5/8-11 MED LOCK WASHER ZYD.
9	2	2527-530	1.50D X 21/32ID 3/16TK MA BU



UPDATED 05/19/16

ALIGN GREASE FITTING HOLES
FILL DUST CAP FULL OF GREASE

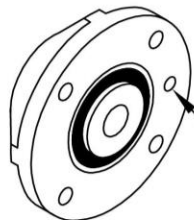
PARTS IDENTIFICATION



6200-001 - CAST SPIKE CLOSE WHEEL KIT - (WHITE)

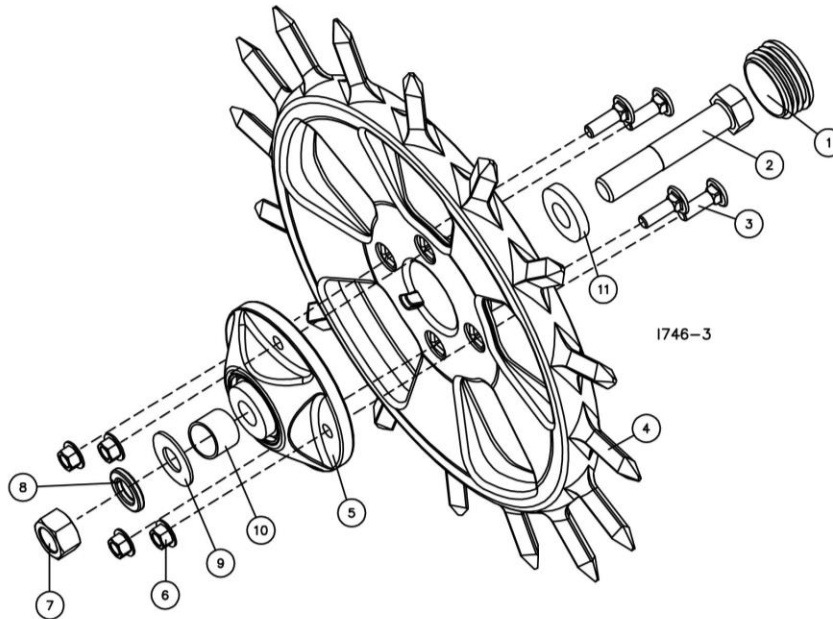
DET	QTY	PART NO.	DESCRIPTION
1	2	2515-726	POLY HUB CAP, NIAGRA #RT14
2	2	2502-324	5/8-11 X 3-1/2 HHCS GR 5 ZYD.
3	8	2505-206	5/16-18 X 1 CAR BLT GR 5 ZYD.
4	2	6200-355	CAST SPIKE WHEEL, PAINTED
5	2	2965-128	HUB AND BEARING ASSEMBLY
		2550-069	SEAL
		2570-594	BEARING
		2570-715	BEARING INSERT
		2965-351	HUB
		2533-110	1/4-28 ZERK STRAIGHT SELF-TAP
6	8	2520-206	5/16-18 HEX FLANGE SERRATED NUT
7	2	2520-452	5/8-11 HEX NUT ZYD.
8	2	2525-451	5/8-11 MED LOCK WASHER ZYD.
9	4	2526-455	WASHER 21/32" X 1 1/4" X 1/4"
10	2	2527-530	1.50D X 21/32ID 3/16TK MA BU

UPDATED 05/19/16



ALIGN GREASE FITTING HOLES
FILL DUST CAP FULL OF GREASE

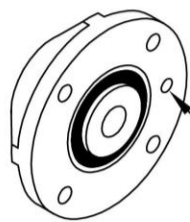
PARTS IDENTIFICATION



6200-001 - CAST SPIKE CLOSE WHEEL KIT - (JOHN DEERE)

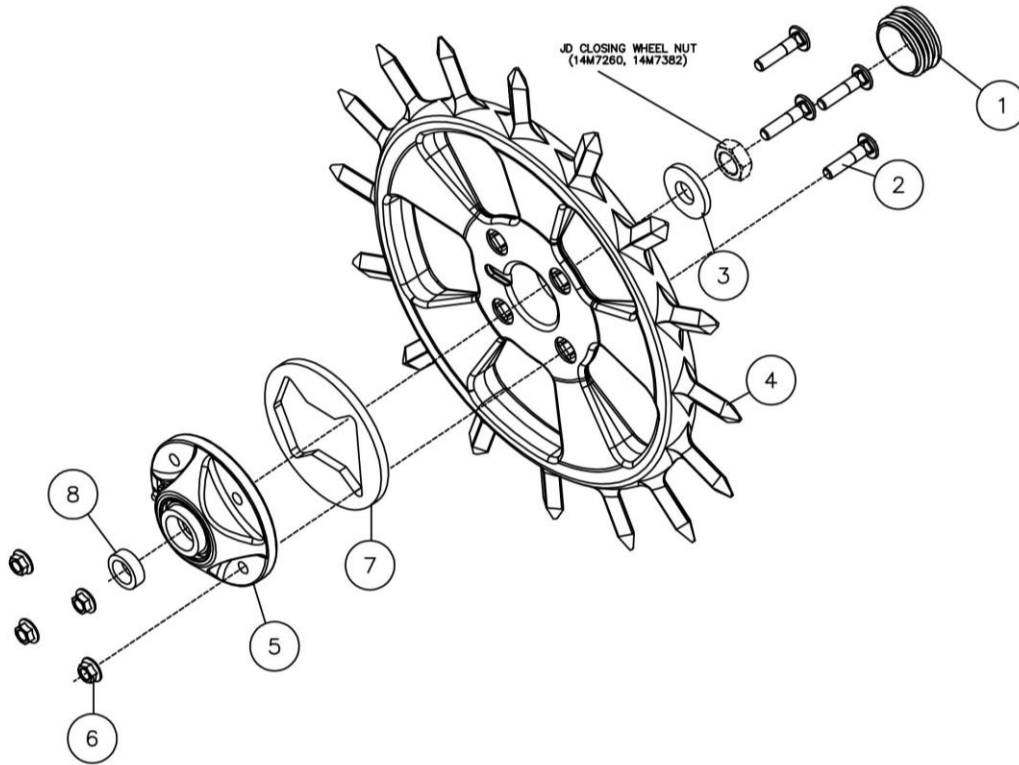
DET	QTY	PART NO.	DESCRIPTION
1	2	2515-726	POLY HUB CAP, NIAGRA #RT14
2	2	2502-324	5/8-11 X 3-1/2 HHCS GR 5 ZYD.
3	8	2505-206	5/16-18 X 1 CAR BLT GR 5 ZYD.
4	2	6200-355	CAST SPIKE WHEEL, PAINTED
5	2	2965-128	HUB AND BEARING ASSEMBLY
		2550-069	SEAL
		2570-594	BEARING
		2570-715	BEARING INSERT
		2965-351	HUB
		2533-110	1/4-28 ZERK STRAIGHT SELF-TAP
6	8	2520-206	5/16-18 HEX FLANGE SERRATED NUT
7	2	2520-452	5/8-11 HEX NUT ZYD.
8	2	2525-451	5/8-11 MED LOCK WASHER ZYD.
9	2	2526-455	WASHER 21/32" X 1 1/4" X 1/4"
10	2	6000-335	9/16" BUSHING
11	2	2527-530	1.50D X 21/32ID 3/16TK MA BU

UPDATED 05/19/16



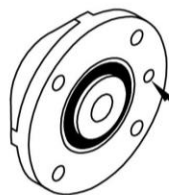
ALIGN GREASE FITTING HOLES
FILL DUST CAP FULL OF GREASE

PARTS IDENTIFICATION



6200-003 SPIKE CLOSING WHEEL FOR JD 7200

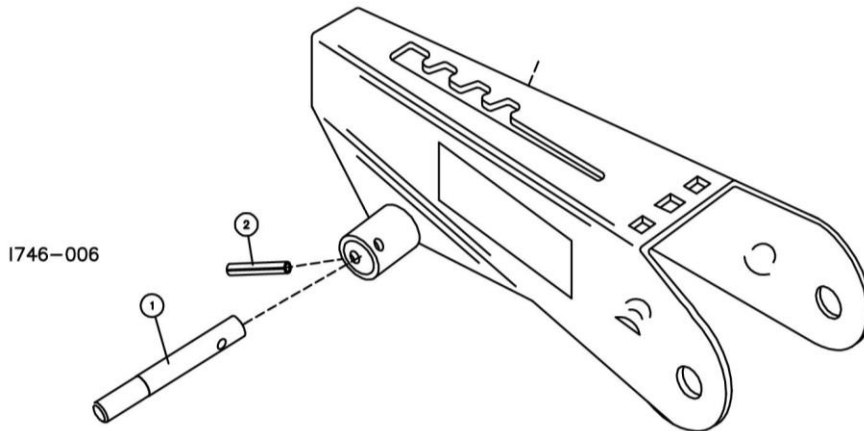
DET	QTY	PART NO.	DESCRIPTION
1	2	2515-726	POLY HUB CAP, NIAGRA #RT14
2	8	2505-207	5/16-18 X 1-1/4 CAR BLT GR 5 ZYD.
3	2	2527-530	1.50D X 21/32ID 3/16TK MA BU
4	2	6200-355	CAST SPIKE WHEEL, PAINTED
5	2	6200-358	BEARING HUB, 7200 CLOSING WHEEL
		2550-069	SEAL
		2570-594	BEARING
		2965-351	HUB
		6200-359	CLOSE WHEEL INSERT / 7200
6	8	2520-206	5/16-18 HEX FLANGE SERRATED NUT
7	2	6200-360	SHIM SPACER
8	2	6200-361	SPACER



1769-2
UPDATED 05/19/16

ALIGN GREASE FITTING HOLES
FILL DUST CAP FULL OF GREASE

PARTS IDENTIFICATION

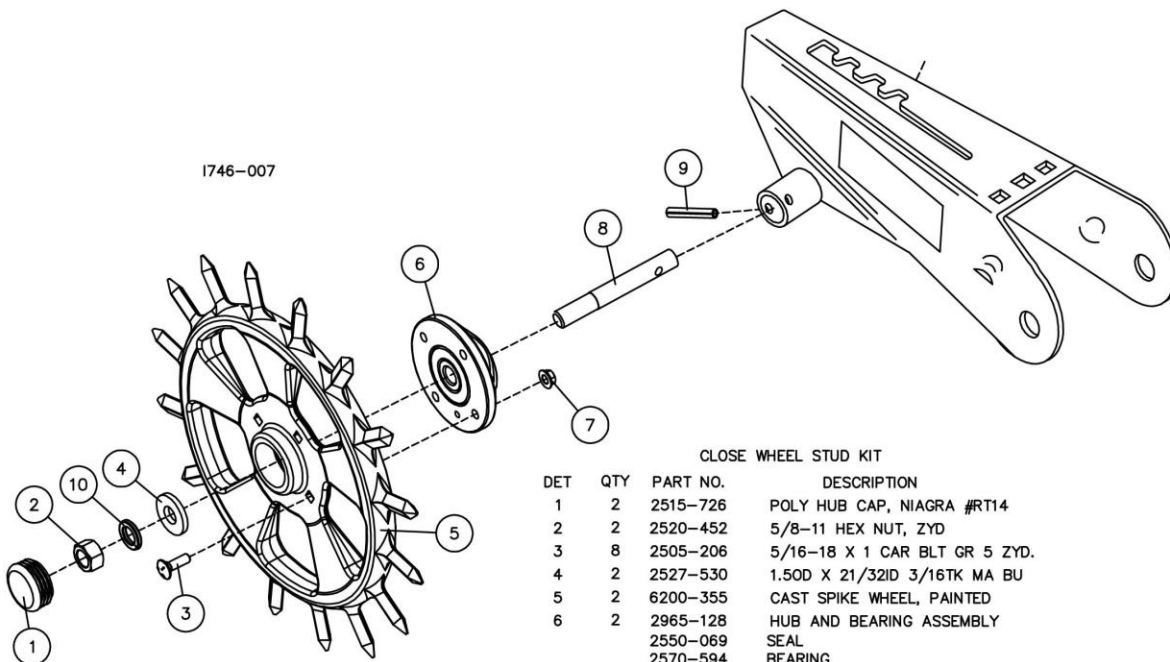


6200-143 - CLOSE WHEEL STUD KIT

DET	QTY	PART NO.	DESCRIPTION
1	2	6200-356	WHEEL SPINDLE
2	2	2530-155	1/4 X 1-1/4 ROLL PIN ZP

NOTE: USE THE NUT AND LOCKWASHER FROM THE 6200-001 CAST SPIKE KIT

UPDATED 12/17/12



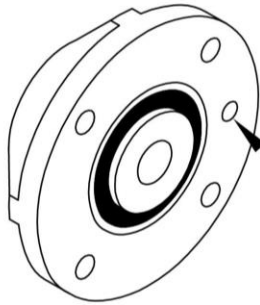
CLOSE WHEEL STUD KIT

DET	QTY	PART NO.	DESCRIPTION
1	2	2515-726	POLY HUB CAP, NIAGRA #RT14
2	2	2520-452	5/8-11 HEX NUT, ZYD
3	8	2505-206	5/16-18 X 1 CAR BLT GR 5 ZYD.
4	2	2527-530	1.50D X 21/32ID 3/16TK MA BU
5	2	6200-355	CAST SPIKE WHEEL, PAINTED
6	2	2965-128	HUB AND BEARING ASSEMBLY
		2550-069	SEAL
		2570-594	BEARING
		2570-715	BEARING INSERT
		2965-351	HUB
		2533-110	1/4-28 ZERK STRAIGHT SELF-TAP
7	8	2520-206	5/16-18 HEX FLANGE SERRATED NUT
8	2	6200-356	WHEEL SPINDLE
9	2	2530-155	1/4 X 1-1/4 ROLL PIN ZP
10	2	2525-451	5/8 MED LOCKWASHER ZP

UPDATED 05/19/16

ASSEMBLY INSTRUCTIONS

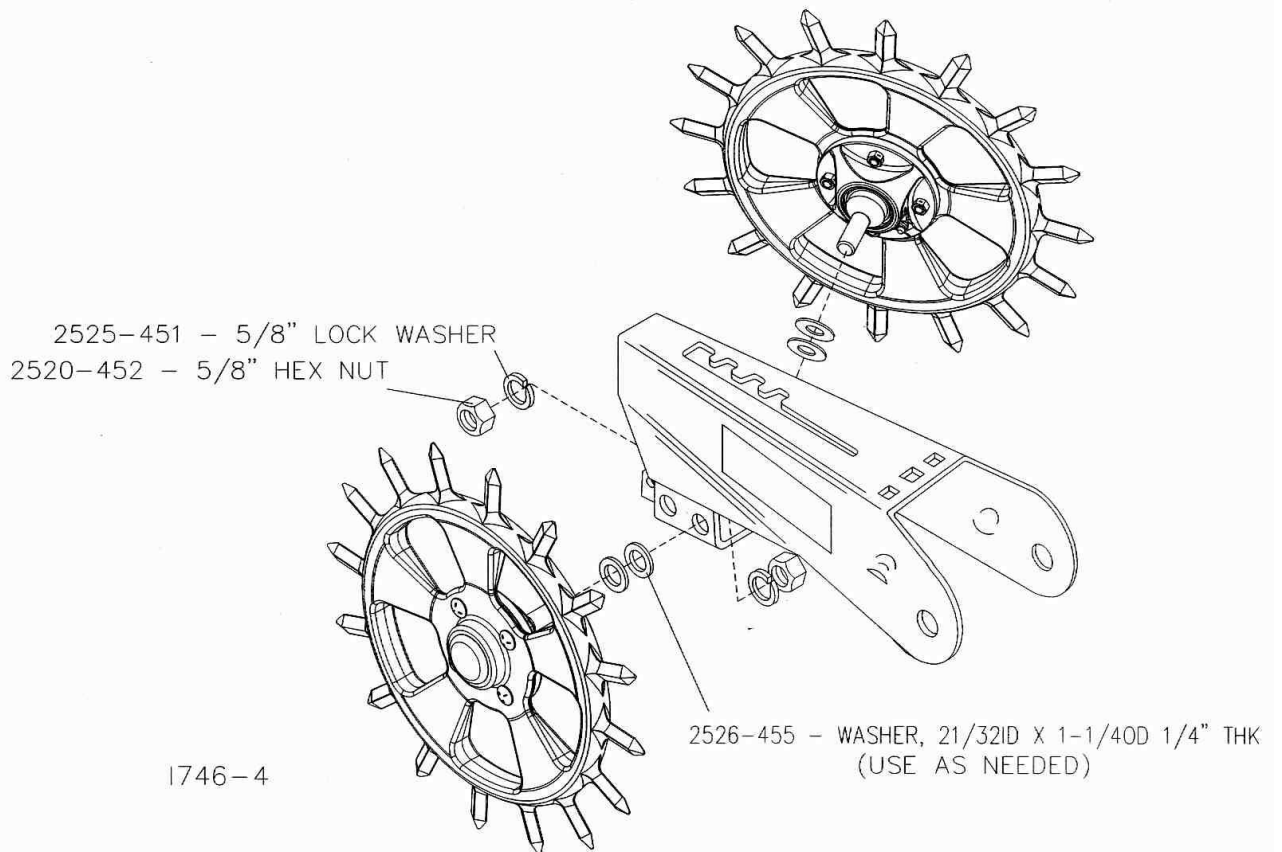
STEP 1. Assemble the close wheels to the hub/bearing using the 5/16" x 1" carriage bolts and 5/16" flange lock nuts.



1190-1

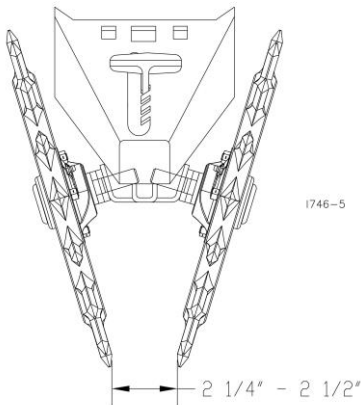
ALIGN GREASE FITTING HOLES
FILL DUST CAP FULL OF GREASE

STEP 2. Attach the wheel assemblies to the close wheel arm.



ASSEMBLY INSTRUCTIONS

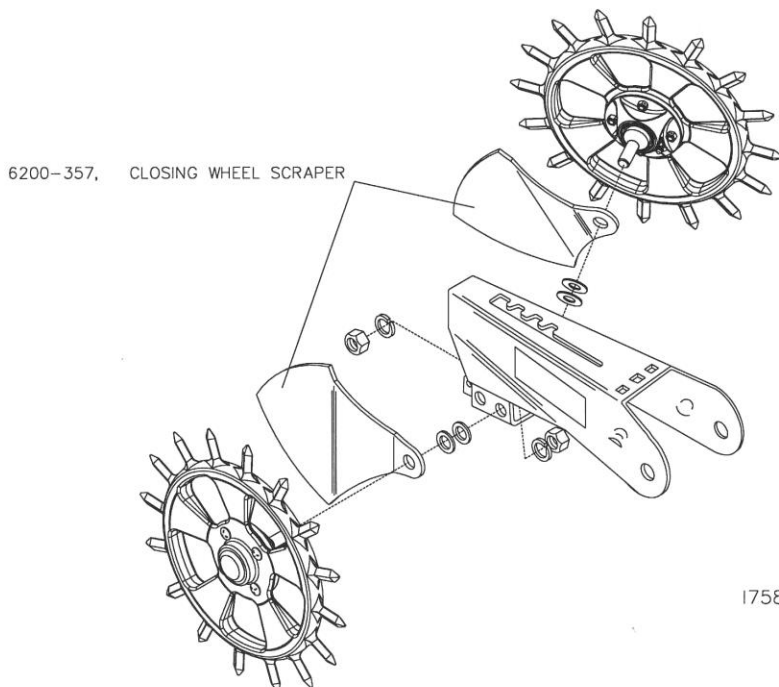
STEP 3. Install the wheels, using the spacers as needed, so that the distance at the bottom of the wheels is approximately 2-1/4"-2-1/2".



Installation Tip: When using one spike and one rubber wheel: Install two spike wheels on a row unit to determine the correct amount of spacers for proper distance of the spike wheel from the seed, reinstall the rubber wheel and use the same amount of spacers on the spike wheel for the other row units.

STEP 4. Adjust the close wheel spring tension as necessary. If the seed trench is not being closed properly, increase the closing wheel spring pressure. Closing wheels must not sink into the soil too deeply, the seed placement could be adversely affected, especially when planting shallow. If the closing wheels are applying too much pressure and the seed is being moved by the closing wheels, decrease closing wheel pressure. Light soils usually require less down pressure; heavy soils more down pressure.

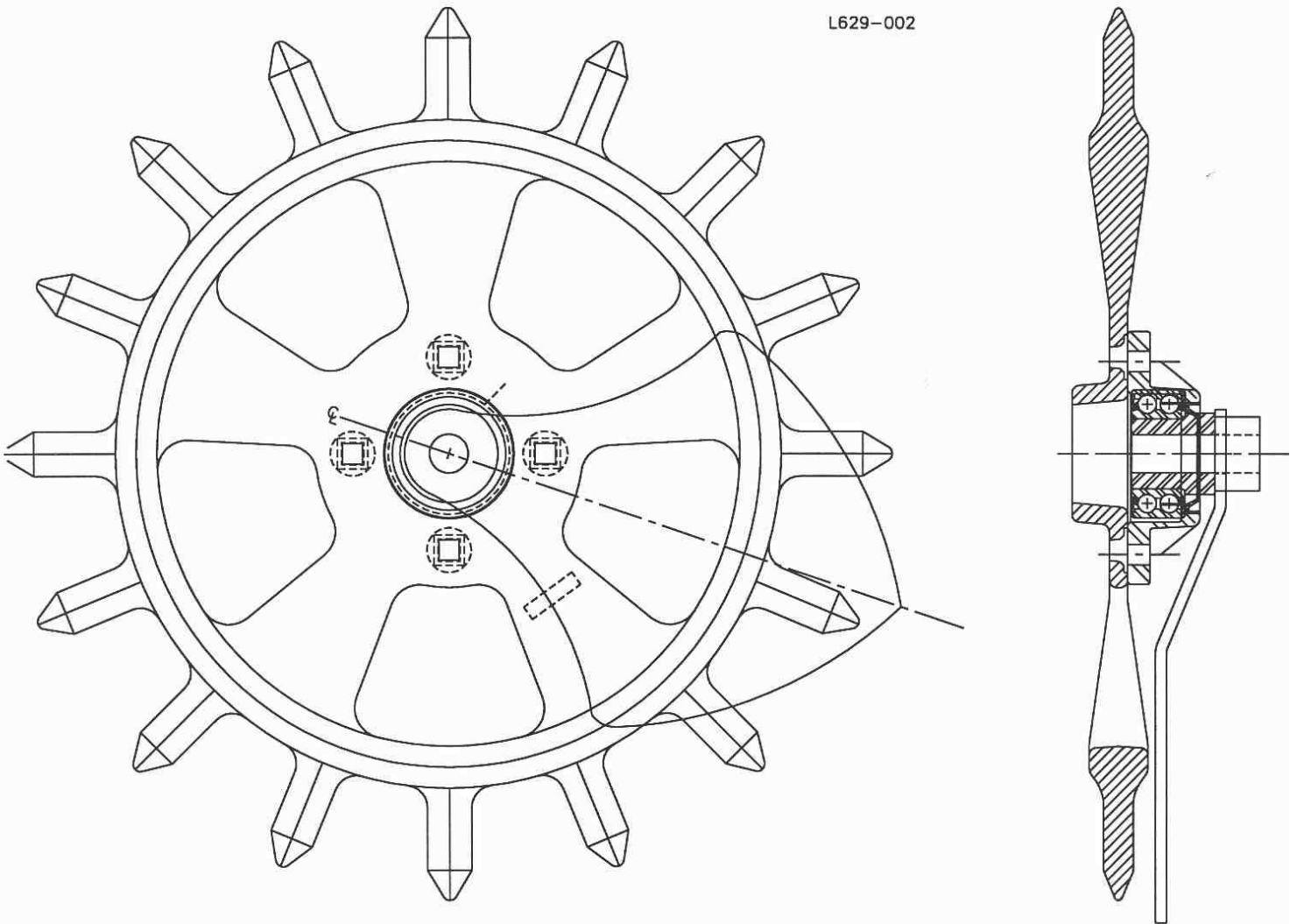
6200-002, SCRAPER KIT FOR 6200-001



6200-002

CLOSING WHEEL SCRAPER SIDE VIEW

L629-002



← FORWARD TRAVEL

NOTES:

Our name Is getting known

Just a few years ago, Yetter products were sold primarily to the Midwest only. Then we embarked on a program of expansion and moved into the East, the South, the West and now north into Canada. We're even getting orders from as far away as Australia and Africa.

So, when you buy Yetter products . . .you're buying a name that's recognized. A name that's known and respected. A name that's become a part of American agriculture and has become synonymous with quality and satisfaction in the field of conservation tillage.

Thank you.

YETTER MANUFACTURING CO.
Colchester, IL 62326-0358 • 309/776-4111
Toll Free 800/447-5777
Fax 309/776-3222
Website: WWW.YETTERCO.COM
E-MAIL: INFO@YETTERCO.COM

2565-734_REV_G 09/2024