



6150 SERIES MARKERS

OPERATOR & PARTS MANUAL

2565-376_REV_J 08/2024



YETTER MANUFACTURING CO.
FOUNDED 1930

Colchester, IL 62326-0358
Toll free: 800/447-5777
309/776-3222 (Fax)

Website: www.yetterco.com
E-mail: info@yetterco.com

YETTER


FOREWORD


You've just joined an exclusive but rapidly growing club.
For our part, we want to welcome you to the group and thank you for buying a Yetter product.


We hope your new Yetter products will help you achieve both goals-increase your productivity and increase your efficiency so that you may generate more profit.


This operator's manual has been designed into four major sections: Foreword, Safety Precautions, Installation Instructions and Parts Breakdown.

This **SAFETY ALERT SYMBOL** indicates important safety messages in the manual. When you see this symbol, be alert to the possibility of **PERSONAL INJURY** and carefully read the message that follows.

 **DANGER:** Indicates an imminently hazardous situation which, if not avoided "will" result in death or serious injury. This signal word is to be limited to the most extreme situations

 **WARNING:** Indicates a potentially hazardous situation which, if not avoided, "could" result in death or serious injury.

 **CAUTION:** Indicates a potentially hazardous situation, which if not avoided, "may" result in minor or moderate injury. It may also be used to alert against unsafe practices.

 **NOTICE:** Indicates information considered important, but not hazard related (e.g., messages relating to property damage).

It is the responsibility of the user to read the operator's manual and comply with the safe and correct operating procedure and to lubricate and maintain the product according to the maintenance schedule in the operator's manual.

The user is responsible for inspecting his machine and for having parts repaired or replaced when continued use of the product would cause damage or excessive wear to the other parts.

It is the user's responsibility to deliver his machine to the Yetter dealer who sold him the product for service or replacement of defective parts, which are covered by the warranty policy.

If you are unable to understand or follow the instructions provided in this publication, consult your local Yetter dealer or contact:

YETTER MANUFACTURING CO.

309/776-4111

800/447-5777

309/776-3222 (FAX)

Website: www.yetterco.com

E-mail: info@yetterco.com

WARRANTY

Yetter Manufacturing warrants all products manufactured and sold by it against defects in material. This warranty being expressly limited to replacement at the factory of such parts or products as shall appear to be defective after inspection. This warranty does not obligate the Company to bear cost of labor in replacement of parts. It is the policy of the Company to make improvements without incurring obligations to add them to any unit already sold. No warranty is made or authorized to be made, other than herein set forth. This warranty is in effect for one year after purchase.

Dealer _____

Yetter Manufacturing warrants its own products only and cannot be responsible for damages to equipment on which mounted.



SAFETY PRECAUTIONS



A brief description of signal words that may be used in this manual:

DANGER: Indicates an imminently hazardous situation which, if not avoided “will” result in death or serious injury. This signal word is to be limited to the most extreme situations.

WARNING: Indicates a potentially hazardous situation which, if not avoided, “could” result in death or serious injury.

CAUTION: Indicates a potentially hazardous situation, which if not avoided, “may” result in minor or moderate injury. It may also be used to alert against unsafe practices.

NOTICE: Indicates information considered important, but not hazard related (e.g., messages relating to property damage).

Consult your implement and tractor operator’s manual for correct and safe operating practices. Be aware of towed implement width and allow safe clearance.

Safety decals are placed on the implement to alert the operator and others to the risk of personal injury or unsafe operation during normal operations and servicing.

1. The safety decals must be kept clean and in good condition to ensure that they are legible.
2. Safety decals must be replaced if they are missing or illegible.
3. When components are replaced during repair or servicing, check that the new components include the necessary safety signs.
4. Replacement safety decals may be obtained from your local dealer.



WARNING

Read these instructions carefully to acquaint yourself with the Equipment. Working with unfamiliar equipment can lead to accidents.

Never park the equipment on a steep incline or leave the equipment running unattended.

Never clean, lubricate or adjust a machine that is in motion.

Always check that straps are secure.

Make sure latches are in pinned position when moving equipment.

Do not allow children to operate this equipment.

Do not allow riders on the equipment, trailer and/or pick-up.

Use speed and caution dictated by the terrain being traversed. Do not operate on any slope steep enough to cause tipping or loss of control.

Read and understand the operator’s manual and require all other persons who will operate the equipment to do the same.

If operating on public roadways, where legal, be certain all lighting is operating properly and observe all traffic laws.

Beware of increased stopping distances and control effort when operating with implements attached.

Be familiar with all controls and be prepared to stop equipment quickly in an emergency.

FAILURE TO HEED MAY RESULT IN PERSONAL INJURY OR DEATH.

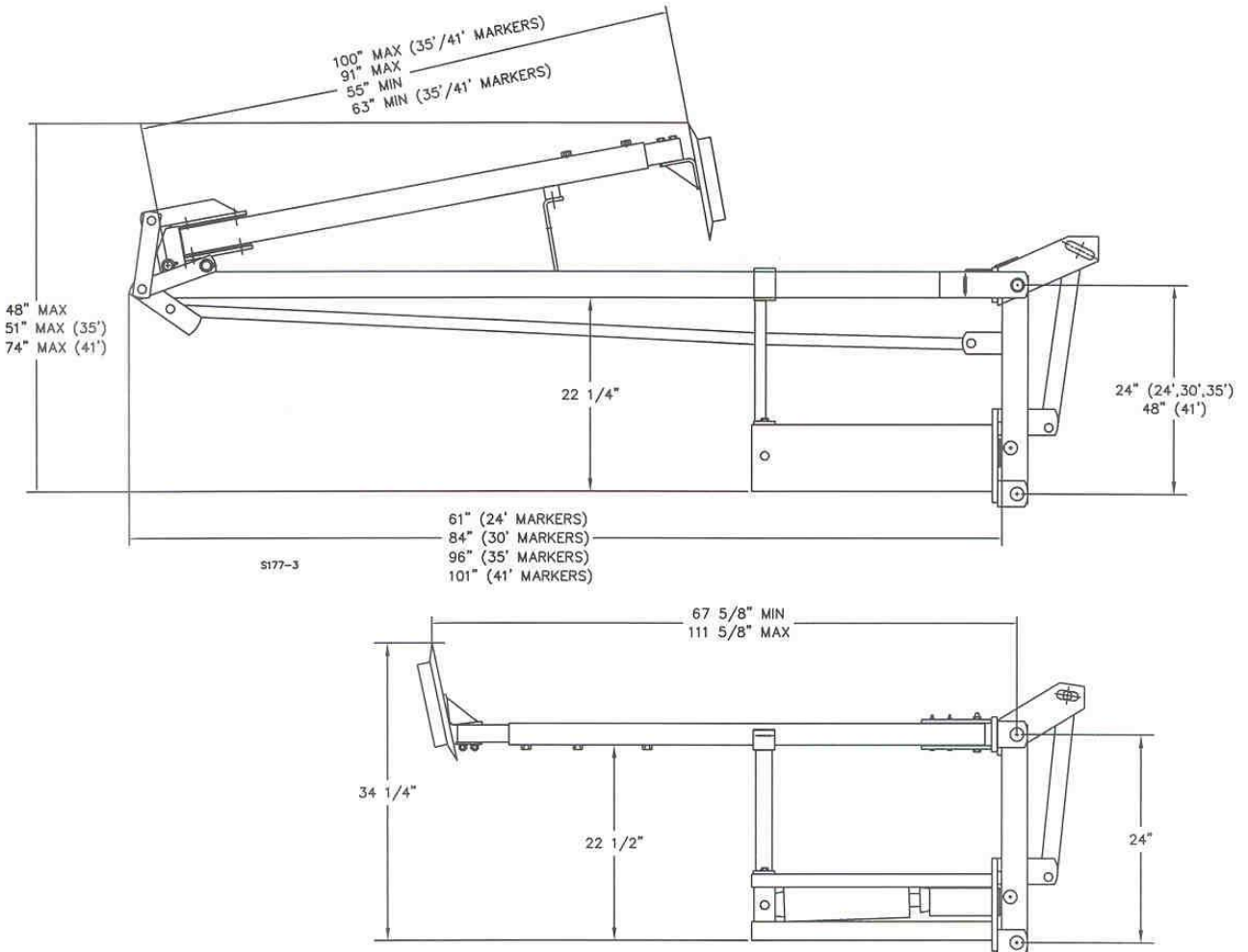
MARKER APPLICATION CHART

Yetter Part No.	Description	Marker Reach
6150-115	Bi-Fold Marker, 15-20 ft. for 15-20 ft. Drills, 4rN & 6rN Planters etc.	87"-132"
6150-124	Tri-Fold Marker, 24 ft. for 24 ft. Drills	141"-171"
6150-130	Tri-Fold Marker, 30 ft. for 30 ft. Drills, 8rW & 12rN Planters etc.	163"-193"
6150-135	Tri-Fold Marker, 35 ft. for 35 ft. Implements	193"-223"

MOUNTING KITS

PAGE		PAGE	
21.	6001-016 JD 1520	32.	6001-195 IH 5200 & 5400
22.	6001-018 JD 455	33.	6001-198 JD 750/1560/1590, 30 ft.
23.	6001-022 Tye Series V	34.	6100-108 GP 1500 & 2000 Series
24.	6001-026 7x7 Cultivator	35.	6100-110 Planter
25.	6001-028 JD 750/1560/1590, Bi-Fold	36.	6150-090 MARKER MOUNT KIT
26.	6001-031 JD 1850/1860/1890 w/o CCS	37.	6150-091 White 6000/8000
27.	6001-033 7x7/8x8 BAR	38.	6150-092 CIH 500/500T
28.	6001-042 IH 5500	39.	6150-101 DMI 4x6
29.	6001-118 M & W, Marliss & Tye	40.	6150-162 J.D. 1690/1890
	6001-120 Great Plains	41.	6150-165 6" Extension Kit
	(Won't fit GP 3 sect. 30')	42.	Extension Kits 6001-179, 6001-199
30,31.	6001-191 JD 515 & 520		

Various u-bolts and brackets are available for row crop planter applications.



GENERAL INFORMATION

Yetter Row Markers were designed to operate on grain drills and planters from 14 feet to 35 feet wide. For non-folding grain drills from 14 to 22 feet wide, bi-fold markers are used.

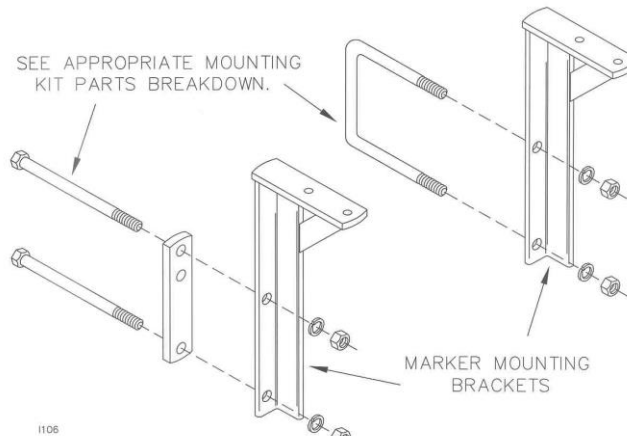
All Yetter Markers are hydraulically actuated. A sequence valve is provided to alternate automatically from left to right marker. After each raise cycle the valve switches hydraulic oil flow to the opposite marker.

Yetter markers were designed for hydraulic systems providing up to 2500 psi hydraulic pressure. For hydraulic systems that have variable flow control, this control may be used to adjust marker speed. It may be necessary to provide restrictors in the lines to reduce marker speed with some tractors.

MOUNTING KIT INSTALLATION

On Great Plains, M & W, Marlist, Tye, IH5200/5400 and JD 750/1560, assemble mounting brackets to front of drill frame as shown using hardware provided in the mounting kit for your particular type of drill. **See appropriate drawing and parts list.**

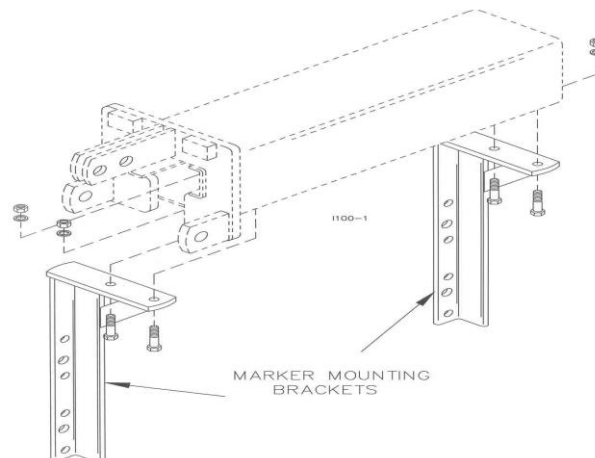
MARKER INSTALLATION



Mount marker base to mounting brackets using 1/2 x 1-3/4" cap screws, lock washers and nuts. Two sets of holes are provided in the marker base toward the outer end of the drill. Use the hole set that allows clearance of obstruction on the frame for your particular implement.

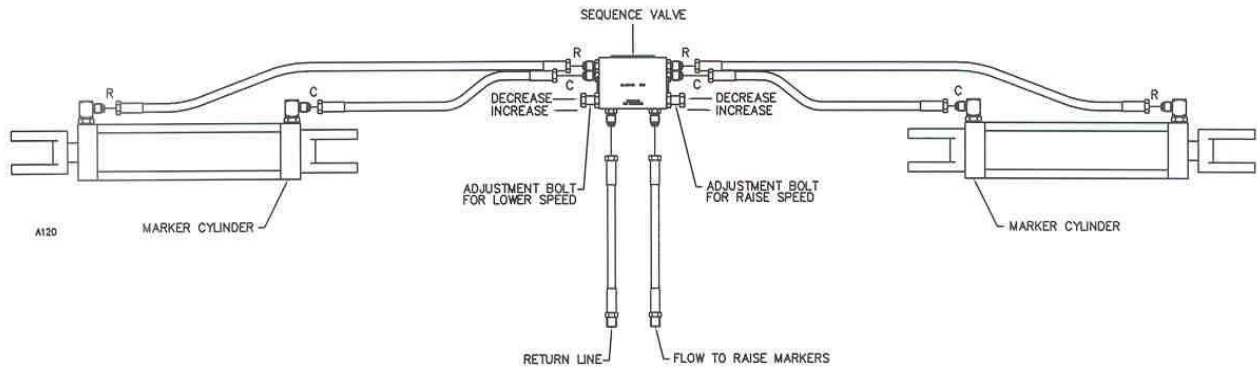


NOTICE If drill is equipped with a grass seeder attachment, it may be necessary to install a marker extension kit.



INSTALLATION

HYDRAULIC SET-UP FOR MARKERS



HYDRAULIC INSTALLATION

HYDRAULIC HOOK UP



DANGER: Inspect and replace worn or frayed hydraulic hose. Keep all connections tight, escaping hydraulic fluid under pressure can have sufficient force to penetrate the skin and cause serious injury. Fluid escaping from a small hole can almost be invisible. Use a piece of cardboard or wood rather than hands to search for suspected leaks. Failure to heed may result in personal injury or death.



WARNING: Lower the cart to the ground, and remove any pressure in the lines before opening the hydraulic lines to install the marker hoses.

1. Connect the port on the front of the sequence valve marked "LOWER" to the tractor or the return side of the drill lift system. If the markers are to lower with a Yetter Coupler Cart, connect this LOWER port to the return side of the cart hydraulic system. This is the bottom port of the right-hand (slave) cart cylinder.



2. **NOTICE**– Be VERY careful when first actuating markers with hydraulic pressure. Cycle hydraulics several times only slightly lifting marker off stops. Apply pressure for several seconds in raise position to purge air from hydraulic cylinders. After several cycles, the marker should be completely lowered. When lowering the first time proceed VERY slowly.

Air left in the system will compress when pressurized, this may cause erratic and violent damaging motion of the marker arms.

3. Measure the time required for each marker to fold and unfold. If the markers are operating too fast, they must be slowed down to provide adequate life. Bi-fold markers should take more than 4 seconds to fold and more than 4 seconds to unfold. Tri-fold markers should take more than 8 seconds to fold and more than 8 seconds to unfold.

4. Some tractors have a provision to control remote cylinder speed with an adjustment near the remote cylinder ports. If the markers are actuated with a separate tractor valve this adjustment is available.

5. Restricted fittings are provided in all tri-fold markers to prevent damage from folding and unfolding too fast. If markers are too slow drill out the restrictor fitting using a 1/16" drill bit.

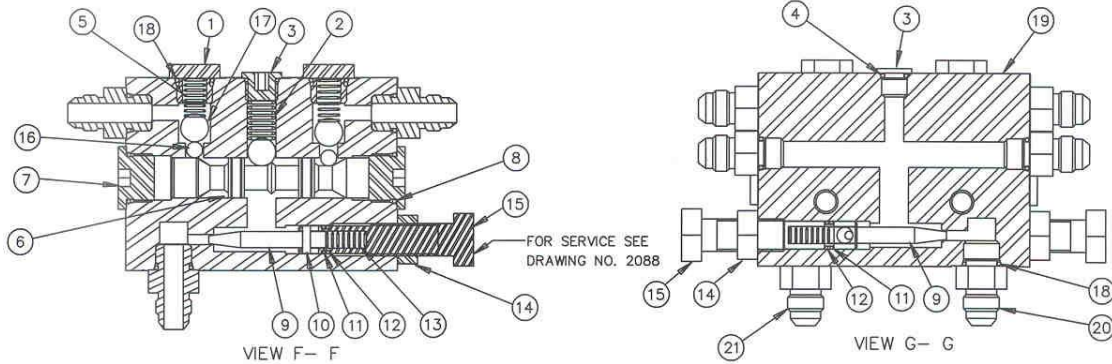
6. Adjustable restrictors are also provided in the sequence valve. These are adjusted with the bolts and jam nuts on each side of the sequence valve. Adjustments of the raise speed are made with the bolt on the left side of the valve with "RAISE" stamped vertically above it. Adjustments of the lowering speed are made with the bolt on the right side of the valve with "LOWER" stamped vertically beneath it.

7. Adjustments are made with these bolts by screwing them clockwise into the valve to reduce operating speed or by screwing them counterclockwise to increase operating speed. Adjustments should be made in small increments, 1/6 of turn or less at a time, being sure to retighten the jam nut.



WARNING: On drills and planters with switch operated hydraulic valves, a new switch operated hydraulic valve should be installed to operate the markers. If the markers are plumbed with an existing switch operated valve they may extend or retract unexpectedly when you press the switch, resulting in damage to equipment or property or possible injury to yourself or others in the vicinity.

SERVICE MARKER SEQUENCE VALVE



ITEM	QTY.	PART NUMBER	DESCRIPTION	ITEM	QTY.	PART NUMBER	DESCRIPTION	
1	2	1430	PLUG, HEX. HEAD	11	2	1100-011	O-RING	
2	1	1099	SPRING, DETENT	10	2	1217	PIN, SPRING - Ø.125	
3	2	1132-05	PLUG, SAE O-RING- HEX.SOCKET	11	2	1100-011	O-RING	
4	2	1402-905	O-RING	12	2	1089-011	BACK-UP RING	
5	2	1042	SPRING	13	2	1211	SPRING, COMPRESSION	
6	1	SELECT SPOOL FOR PROPER SPEED		14	2	1218	NUT, HEX.JAM, ZN-YEL. PLT'D.	
		SPOOL NO.	ORIFICE	ASSEMBLY NO.	15	2	1180	SCREW, ADJ. FLOW CONTROL
		5027	.047	4129-047	16	2	1087-250	BALL, CHROMIUM STEEL
		2153	.055	4129-055	17	3	1087-.437	BALL, CHROMIUM STEEL
		2136	.062	4129-062	18	8	1402-906	O-RING
		2154	.076	4129-076	19	1	3161	BODY, SEQUENCE VALVE
7	2	1132-08	PLUG,SAE O-RING-HEX.SOCKET	20	6	1092-06	FITTING, STRAIGHT CONN.	
8	2	1402-908	O-RING	21	6	1219-06	CAP,VINYL-FOR STORE AND SHIP	
9	2	1179	NEEDLE, FLOW CONTROL	22	0	2088	ASM, NEEDLE	
10	2	1217	PIN, SPRING - Ø.125	23	0	1223	KIT, SEAL	

SERVICE REPAIR KIT – 2515-349

DISASSEMBLY and ASSEMBLY

If markers do not sequence, clean dirt from valve spool bore (6). If markers tend to creep downward, check for dirt, nicks/scratches in ball check valve areas (16).

Note: Be sure the hoses are connected to the correct ports before disassembling the valve for cleaning or repair. (See schematics.)

Disassembly:

1. Remove hex head plugs (1), springs (2), and steel balls (16 & 17).
2. Remove plug (3), spring (2), steel ball (17).
3. Remove plugs (7) from each end of body.

Important! Be sure plugs, springs and balls (Step 1 and 2) are removed before attempting to remove spool.

4. Carefully remove spool (6) from valve body.
5. Remove flow restrictor assembly (15) from valve body.

Inspection:

1. Clean spool and restrictors in solvent.
Note: Restrictor disassembly is not required for cleaning.
2. Clean valve body after checking exterior for signs of o-ring leakage.
3. If spool is nicked or scratched, remove with crocus cloth. Spool must slide freely in bore.
1. If ball seats are nicked or scratched, install larger ball against seat, tap ball with brass rod to "seat" ball.

Note: Remove spool for this procedure.

2. Inspect o-rings. Replace if necessary.

Assembly:

1. Apply clean hydraulic fluid to threads, o-rings, spool, valve bore. Reassemble in reverse order of disassembly.
2. Open restrictors one turn minimum.
3. Install valve on planter and readjust marker operating speed with restrictors.

Marker Operation

Markers fail to sequence

Valve spool stuck in sequence valve

Disassemble valve and clean spool

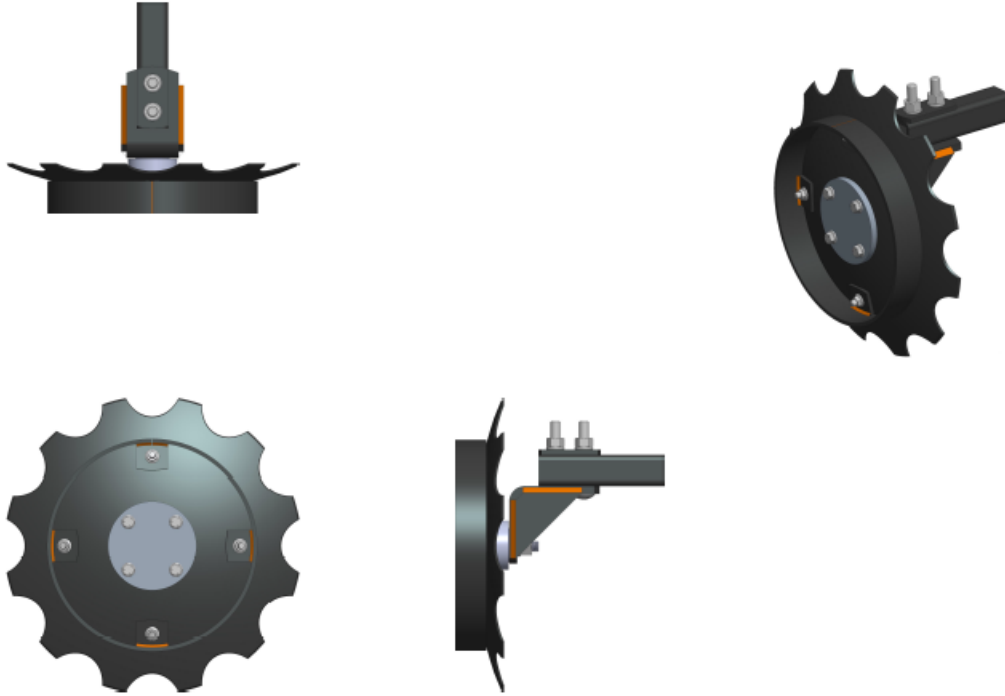
Raised marker slowly lowers

Check ball not seated in

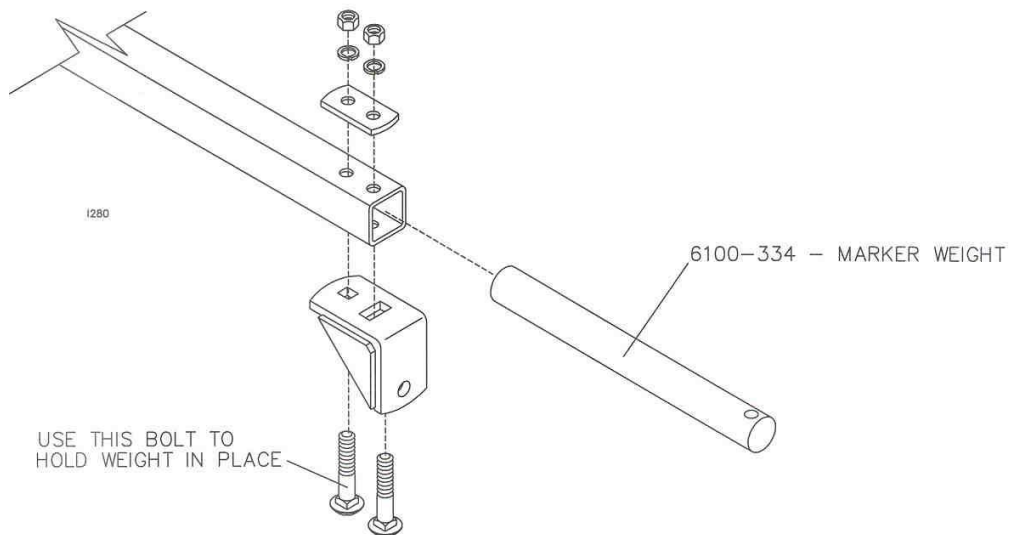
Disassemble valve and re-seat ball

MARKER DISC ASSEMBLY

1. Loosen the two 1/2" bolts on the outer end of the marker slide tube and adjust the marker disc brackets to desired angle and retighten.



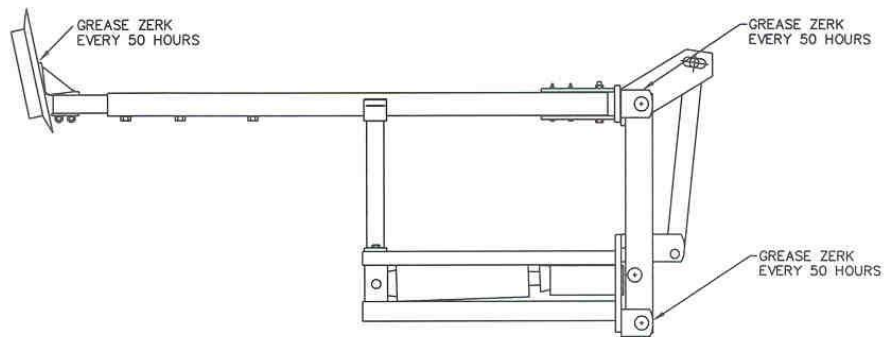
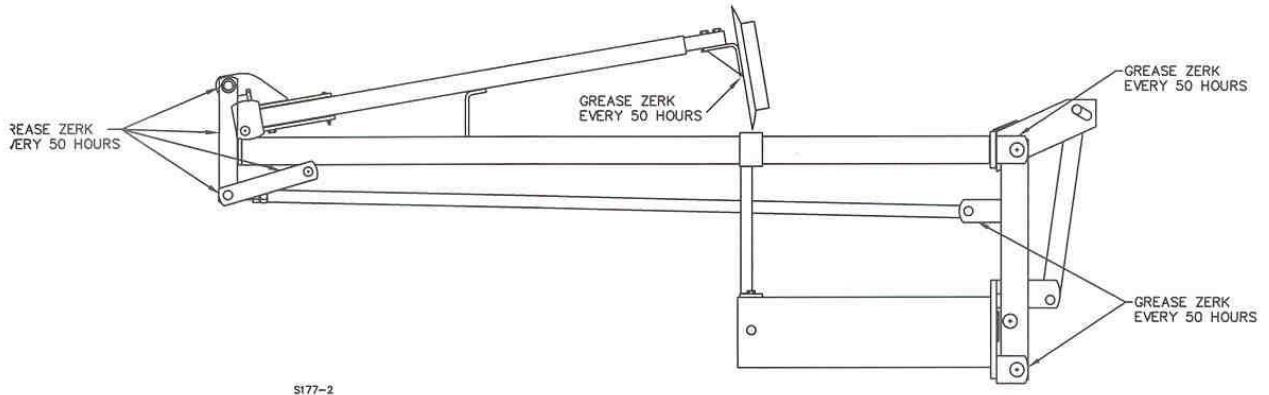
OPTIONAL 6100-334 – MARKER WEIGHT



MAINTENANCE

Lubrication Intervals

There are three grease zerks on the bi-fold marker and eight grease zerks on the tri-fold marker. (See drawing). Grease every 50 hours. Grease the hub on each marker disc assembly every 50 hours.



IMPORTANT: The recommended service intervals are based on normal conditions; severe or unusual conditions may require more frequent lubrication.

Perform each lubrication and service procedure at the beginning and end of each season.

Clean grease fittings before using grease gun, to avoid injecting dirt and grit into the bearing. Replace any lost or broken fittings immediately. If a fitting fails to take grease, remove and clean thoroughly, replace fitting if necessary. Also check for failure of adjoining parts.

MAINTENANCE

Lubrication



CAUTION: To help prevent serious injury or death to you or others caused by unexpected movement, service machine on a level surface. Lower machine to ground or sufficiently lock or block raised machine before servicing. If machine is connected to tractor, engage parking brake and place transmission in "PARK", shut off engine and remove key. If machine is detached from tractor, block wheels and use shop stands to prevent movement.



CAUTION: Do not clean, lubricate, or adjust machine while in motion.

Use grease based on NLGI consistency numbers and the expected air temperature range during the service interval.

Use a **multi-purpose polyurea, water resistant, moderate speed, and NLGI grade #2** grease.

Other greases may be used if they meet the following **NLGI Performance**



IMPORTANT: Some types of grease thickener are not compatible with others. Consult your grease supplier before mixing different types of grease.

Alternative Lubricants

Conditions in certain geographical areas may require special lubricants and lubrication practices which do not appear in the operator's manual. If there are any questions, consult Yetter Manufacturing Co. to obtain latest information and recommendation.

Storing Lubricants

Your machine can operate at top efficiency only if clean lubricants are used.

Use clean containers to handle all lubricants.

Store them in an area protected from dust, moisture and other contaminants.

Storing the Equipment

Store the machine in an area away from human activity

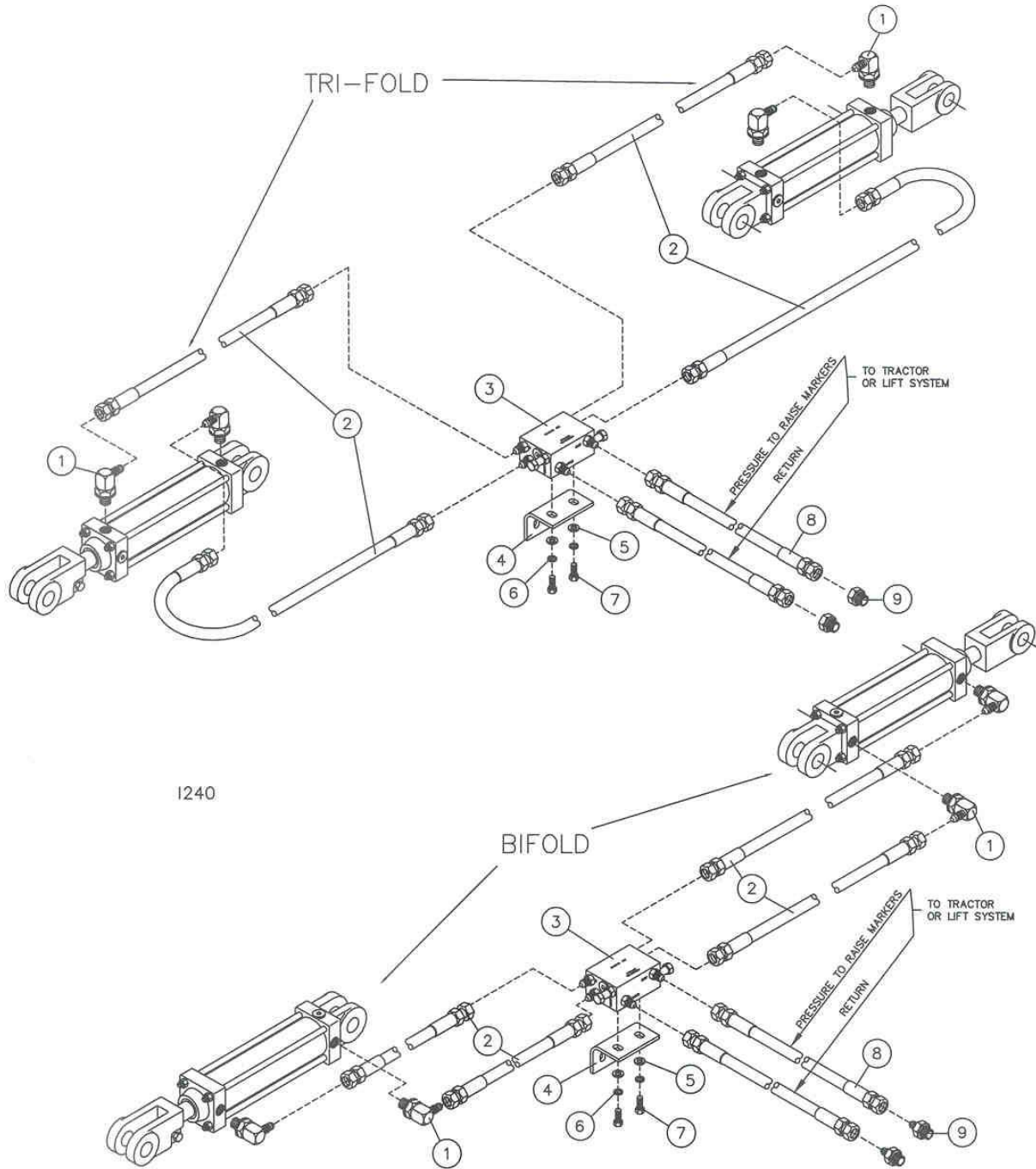
Store machine in RAISED position.

Install service locks on all wheel cylinders.

At the end of the season, the machine should be thoroughly inspected and prepared for storage. Repair or replace any worn or damaged components to prevent down time at the start of the next season. Store machine under cover with all parts in operating condition.

- Clean machine thoroughly to remove all dirt, debris and crop residue, which would hold moisture and cause rusting.
- Inspect machine for worn or broken parts. See your Yetter Farm Equipment dealer during the off-season so that parts or service can be acquired when machine is not needed in the field.
- Lubricate bearings as outlined in the Lubrication section
- Paint all parts which are chipped or worn and require repainting.
- Store machine in a clean, dry place with the planting unit out of the sun.
- If the machine cannot be stored inside, cover with a waterproof tarpaulin and tie securely in place.
- Do not allow children to play on or around the machine

PARTS IDENTIFICATION

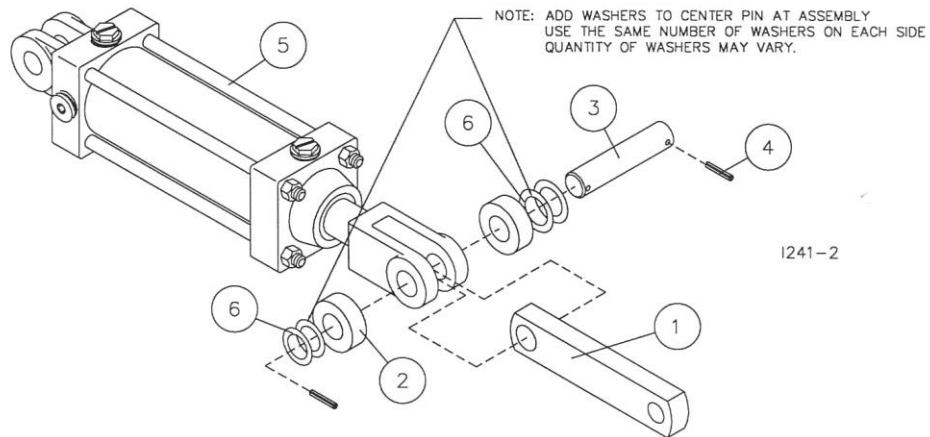


I240

KEY	QTY.	PART NO.	DESCRIPTION
1	4	2515-324	90°, 3/4 SAE TO -6 JIC
	4	2515-330	90°, REST., 3/4 SAE TO -6 JIC (TRI-FOLD)
2	4	2515-366	HOSE, 1/4 X 110" W/-6 JIC ENDS (15' JD750)
	4	2515-367	HOSE, 1/4 X 135" W/-6 JIC ENDS (15'-20', 20' JD750)
	4	2515-371	HOSE, 1/4 X 180" W/-6 JIC ENDS (24')
	4	2515-373	HOSE, 1/4 X 220" W/-6 JIC ENDS (30')
3	1	2515-314	ADJUSTABLE SEQUENCE VALVE
4	1	6001-425	SEQUENCE VALVE BRACKET (BENT)
5	2	2526-251	3/8 STD. FLATWASHER ZP
6	2	2525-251	3/8 MED. LOCKWASHER ZP
7	2	2502-237	3/8-16 X 1 HHCS GR .5 ZP
8	2	2515-366	HOSE 1/4 X 110" W/-6 JIC ENDS (15' JD750)
	2	2515-367	HOSE, 1/4 X 135" W/-6 JIC ENDS (20', 20' JD750)
9	2	2515-327	ADAPTOR, 3/4 SAE TO -6 JIC (JD750 ONLY)

PARTS IDENTIFICATION

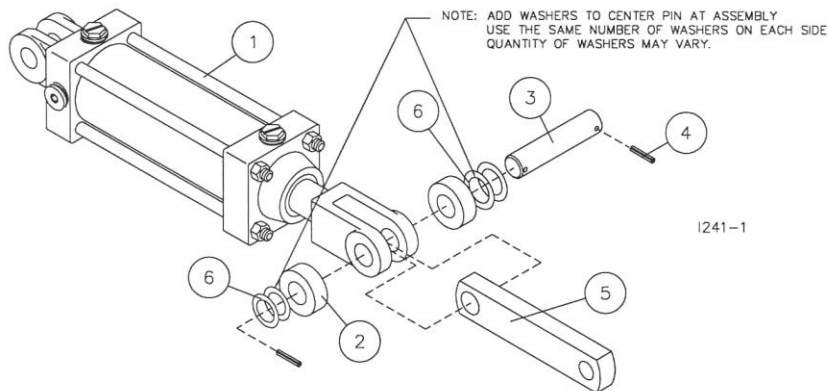
3" & 3-1/2" CYLINDER ASSEMBLY



6150-140 - 3" CYLINDER ASSEMBLY 15'-20'
6150-145 - 3" CYLINDER ASSEMBLY 24'-30'
6150-146 - 3-1/2" CYLINDER ASSEMBLY 35'

DET	QTY	PART NO.	DESCRIPTION
1	1	6150-362	CYLINDER LINK, 1" THICK
2	2	6001-368	CYLINDER ROLLER
3	1	6001-348	CYLINDER ROLLER PIN
4	2	2530-108	3/16" X 1-1/2" ROLL PIN ZP
5	1	2515-337	3" X 8" CYLINDER (SAE)
	1	2515-375	3" X 8" CYLINDER (SAE) 24'&30' MODELS
	1	2515-391	3-1/2" X 8" CYLINDER (SAE) 35' MODEL
EA		2515-338	SEAL KIT, 3" CYLINDER
EA		2515-382	SEAL KIT, 3 1/2" CYLINDER
6	4	2527-564	WASHER, 1"ID X1-1/2"OD X14GA

4" CYLINDER ASSEMBLY



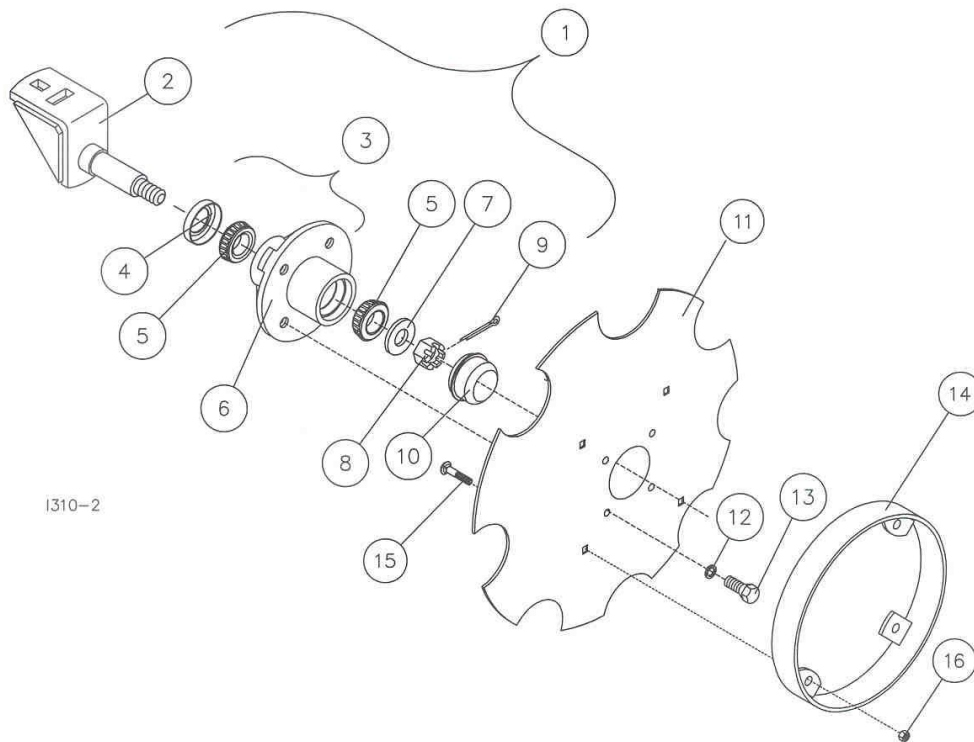
6150-129 4" CYLINDER ASSEMBLY 41'

DET	QTY	PART NO.	DESCRIPTION
1	1	2515-822	ASAE 4" X 8" CYL (SAE)
EA.		2515-823	SEAL KIT, 4" CYLINDER
2	2	6001-524	2-1/2" OD CYLINDER ROLLER ZYD
3	1	6150-457	1-1/4"OD CYLINDER PIN ZYD
4	2	2530-153	1/4" X 2" ROLL PIN ZP
5	1	6150-427	CYLINDER LINK 1" THICK
6	4	2526-561	WASHER, 1-17/64"ID X 1-7/8"OD X 14 GA

PARTS IDENTIFICATION

6150-118 - HEAVY DUTY DISC KIT W/DEPTH BAND

KEY	QTY.	PART NO.	DESCRIPTION
1	1	6150-133	HUB & BRACKET ASSEMBLY (INCLUDES NO. 2,3,5,7,8,9, and 10)
2	1	6150-221	HD MARKER BRACKET W.A.
3	1	6600-160	HUB SUB ASSEMBLY (INCLUDES NO. 4,5, and 6)
4	1	2550-054	SEAL, CR #12437
5	2	2550-053	1 1/16 BEARING L44649
6	1	6600-161	HUB WITH CUPS (INCLUDES 2 CUPS (WILTON #L46610)
7	1	2570-197	WASHER, 1 1/2 O.D. X 13/16 I.D.
8	1	2520-503	3/4-16 SLOTTED HEX NUT BLACK
9	1	2531-106	3/16 X 1-3/4 COTTER PIN BLACK
10	1	2570-196	HUB CAP
11	1	6001-609	.138 X 16" NOTCH MARKER DISC
12	4	2525-352	1/2 MED LOCK WASHER ZYD
13	4	2502-344	1/2-20 X 1 HHCS GR 5 ZYD
14	1	6150-253	HD DEPTH CONTROL BAND W.A.
15	4	2505-205	5/16-18 X 3/4 CAR BLT GR 5 ZYD
16	4	2520-205	5/16-18 LOCK HEX NUT ZYD

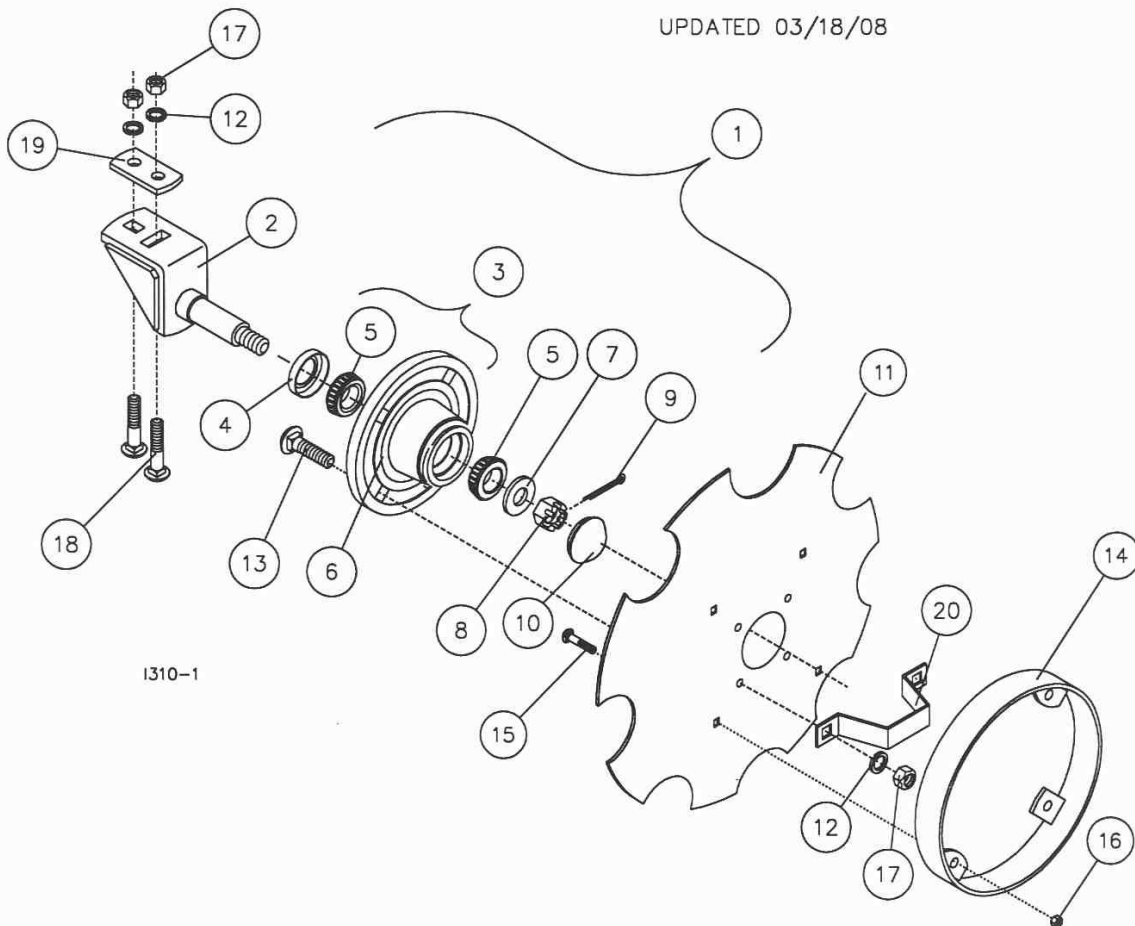


PARTS IDENTIFICATION

6150-155 HEAVY DUTY DISC KIT W/DEPTH BAND

Key	Qty	Part No.	Description
1	1	6150-153	HUB & BRACKET ASSY (INCLUDES # 2,3,5,7,8,9 & 10)
2	1	6001-294	HD MARKER BRACKET W.A.
3	1	2900-102	HUB SUB ASSEMBLY (INCLUDES # 4,5 & 6)
4	1	2550-066	TRIPLE LIP SEAL, NTI #1812-4
5	2	2550-027	CONE, LM67048
6	1	2900-105	HUB PRESSED ASSEMBLY
7	1	2526-449	5/8 FLATWASHER, 1/4 +/- .010 THK.
8	1	2520-469	5/8-11 SLOTTED HEX NUT ZP.
9	1	2531-102	1/8 X 1 1/4 COTTER PIN BLACK
10	1	2570-375	HUB CAP, WILTON #909902
11	1	2571-151	.138 X 16" NOTCH DISC W/DEPTH BAND HOLES
12	6	2525-352	1/2 MED LOCKWASHER ZP
13	4	2505-344	1/2-13 X 1-3/4 CAR BLT GR 5 ZP
14	1	6150-253	HD DEPTH CONTROL BAND W.A.
15	4	2505-205	5/16-18 X 3/4 CAR BOLT GR. 5 ZP
16	4	2520-205	5/16-18 LOCK HEX NUT ZP
17	6	2520-352	1/2-13 HEX NUT ZP
18	2	2505-351	1/2-13 X 4 CAR. BOLT GR. 5 ZP
19	1	6001-481	CLAMP PLATE
20	1	2987-301	HUB CAP RETAINER

UPDATED 03/18/08

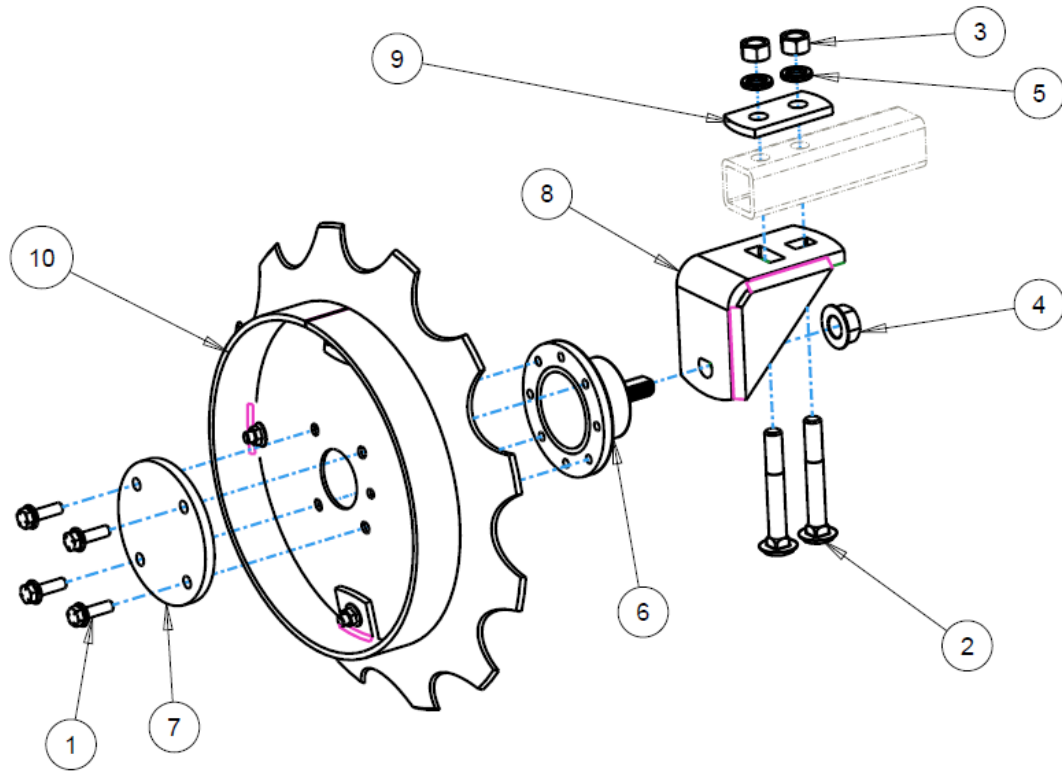


I310-1

PARTS IDENTIFICATION

6001-114A-N

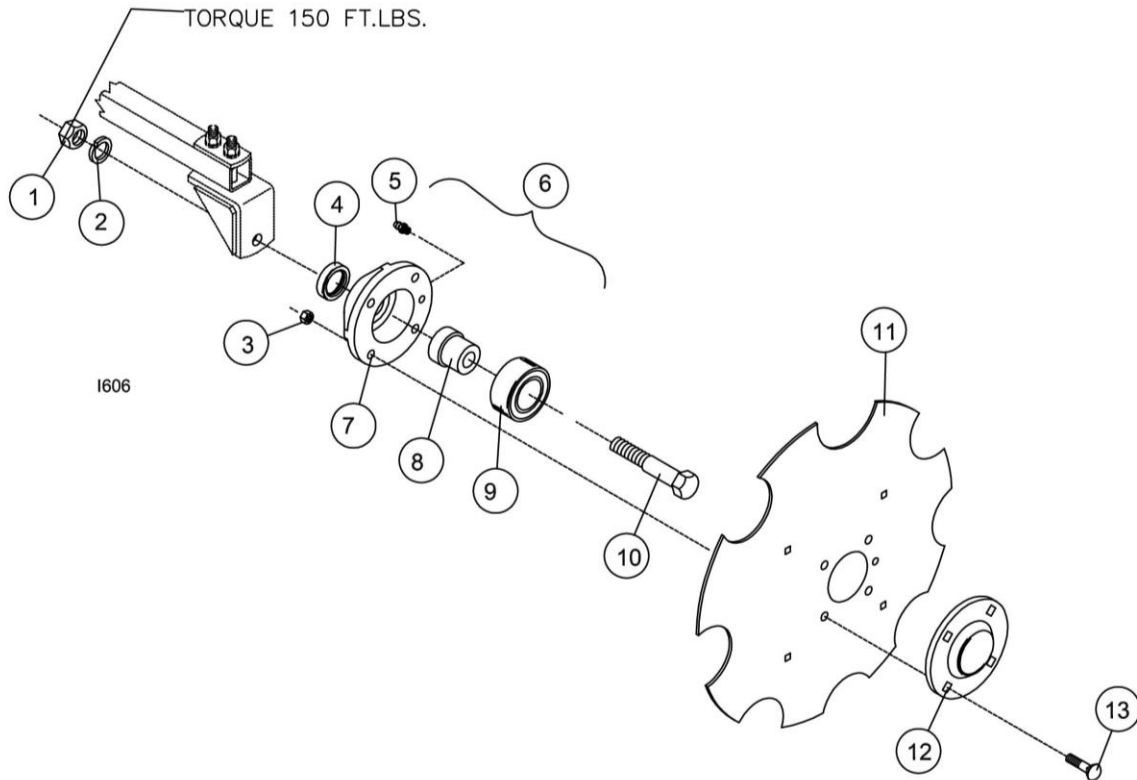
NOTCHED - MARKER DISC ASSEMBLY



ITEM	PART NO.	DESCRIPTION	QTY
1	2502-221	5/16-18 X 1 HHFS GRADE 5	8
2	2505-348	1/2-13 X 3-1/2 CARRIAGE BOLT GRADE 5	4
3	2520-352	1/2-13 HEX NUT GRADE 2	4
4	2520-465	5/8-11 FLANGE NUT GRADE 8	2
5	2525-352	1/2 LOCK WASHER	4
6	2965-500	HUB ASSEMBLY 1.406 SPINDLE	2
7	2965-503	CAP	2
8	6001-270	MARKER DISC BRACKET	2
9	6001-481	CLAMP PLATE	2
10	6001-610	NOTCHED DISC ASSEMBLY	2
	2505-205	5/16-18 X 3/4 CARRIAGE BOLT GRADE 5	4
	2520-206	5/16-18 FLANGE NUT	4
	6001-217	DEPTH BAND	1
	6001-495	NOTCHED DISC	1

MANUFACTURED 06/2021 TO PRESENT

PARTS IDENTIFICATION



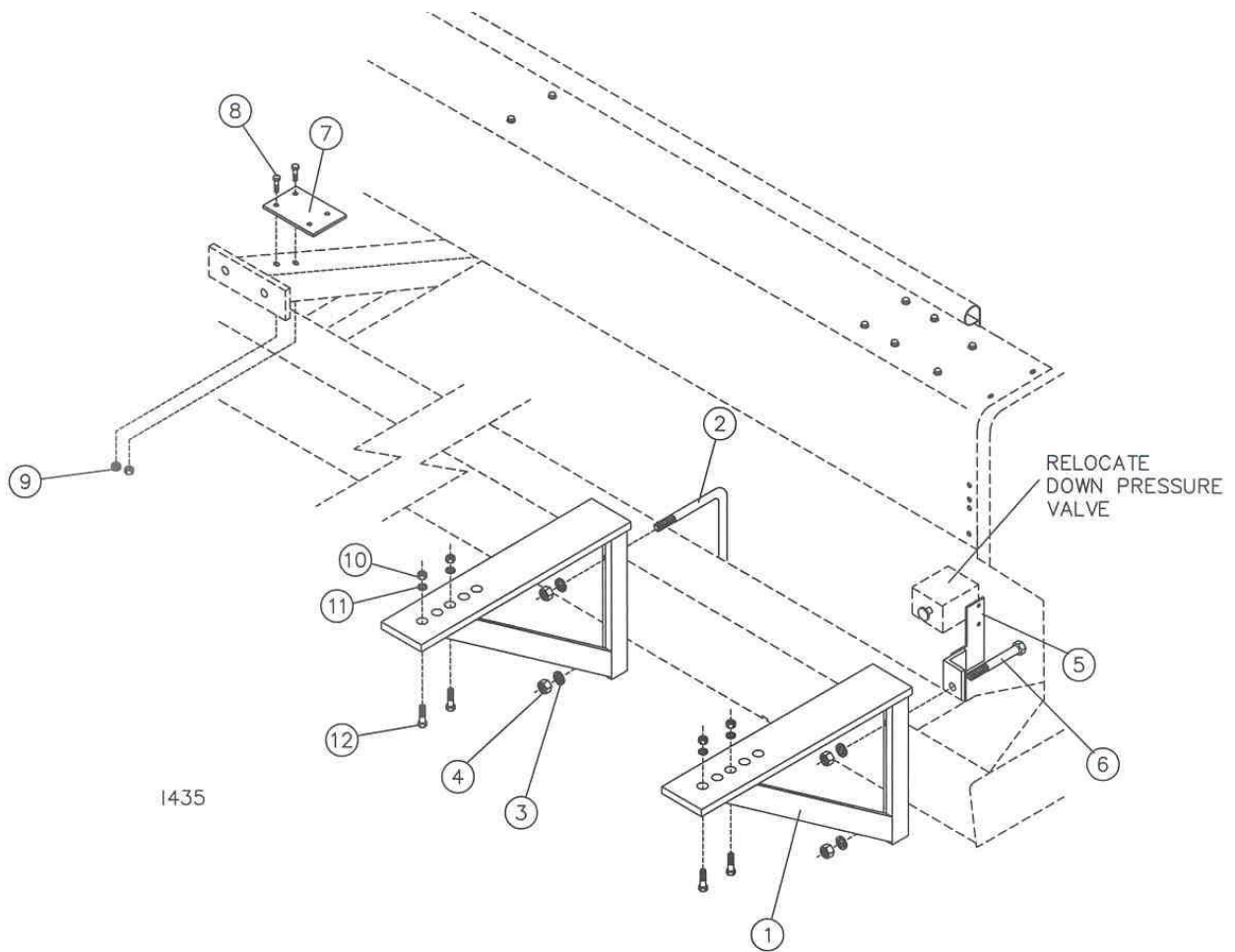
6001-602 NOTCHED MARKER DISCS/HUBS BOX

KEY	QTY	PART NO.	DESCRIPTION
1	2	2520-452	5/8-11 HEX NUT ZP
2	2	2525-451	5/8 MED. LOCKWASHER ZP
3	8	2520-206	5/16-18 FLANGE LOCK NUT
4	2	2550-069	SEAL, TRIPLE LIP, NTI# 1812-5
5	2	2533-110	1/4-28 STRAIGHT SELF-TAP GREASE ZERK
6	2	2965-128	HUB & BEARING ASSY., 4 BOLT (INCLUDES NO. 4, 5, 7, 8 & 9)
7	2	2965-351	HUB CASTING, MACHINED, 4 BOLT (INCLUDES NO. 5)
8	2	2570-715	BEARING INSERT, TRASHMASTER
9	2	2570-594	BEARING, 2 ROW, NTN #DF0654LU
10	2	2570-741	5/8-11 X 3 1/2" 'D' BOLT GR
11	2	6001-495	MARKER DISC, NOTCH, PUNCH, 4 BOLT
12	2	2965-352-DISC	HUB CAP CASTING, 4 BOLT, BLACK
13	8	2505-207	5/16-18 X 1 1/4" CAR. BOLT GR. 5 ZP

REVISED 10/20/16

MANUFACTURED 06/1994 TO 05/2021

PARTS IDENTIFICATION



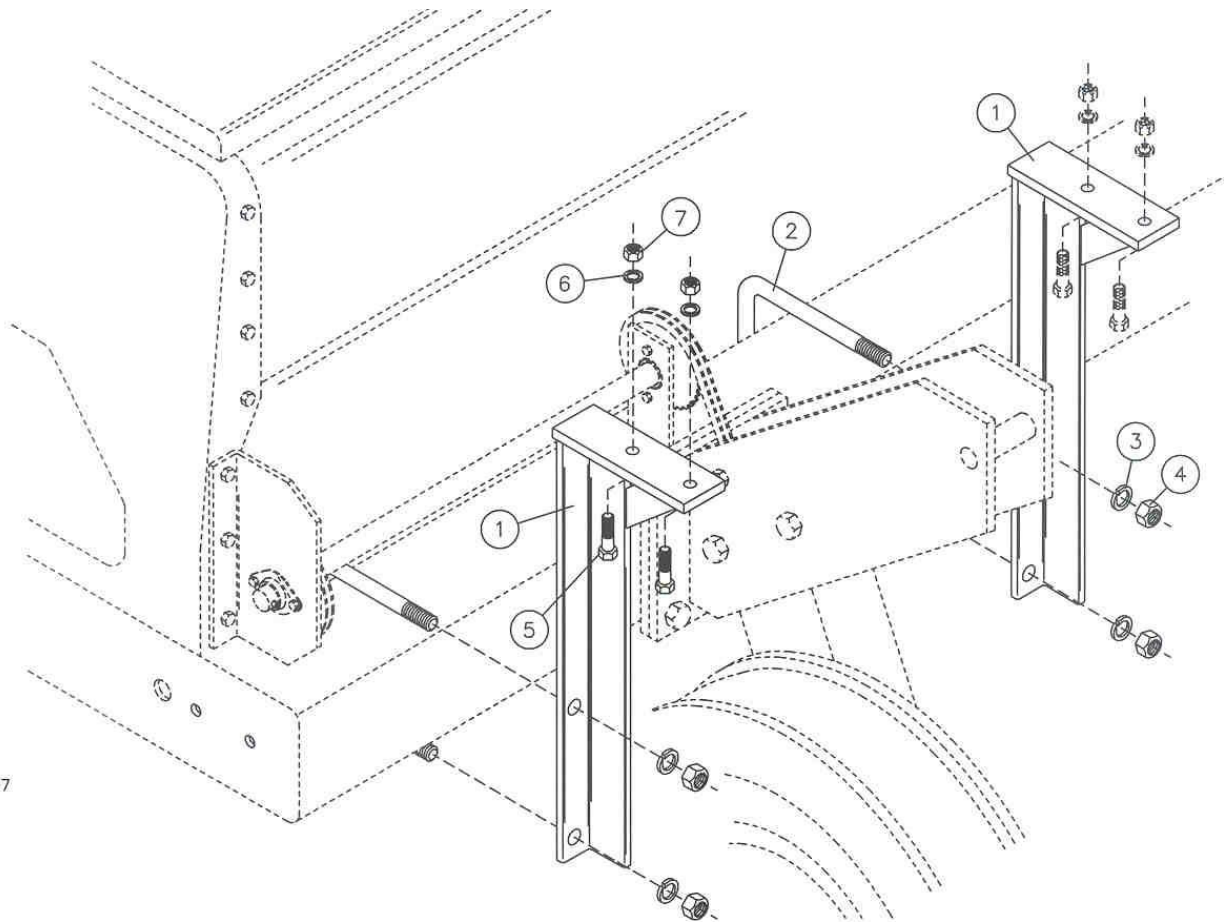
6001-016 – MARKER MOUNTING KIT, JOHN DEERE 1520

KEY	QTY.	PART NO.	DESCRIPTION
1	4	6001-279	MARKER BRACKET W.A., JD 1520
2	3	2570-477	3/4 X 7 X 7 U-BOLT ZYD
3	8	2525-501	3/4 MED LOCK WASHER ZYD.
4	8	2520-504	3/4-10 HEX NUT ZYD.
5	1	6001-282	DOWN PRESSURE VALVE MTG. PLATE W.A.
6	2	2502-509	3/4-10 X 7 HHCS GR 5 ZYD
7	1	6001-451	SEQUENCE VALVE ADAPTER PLATE
8	2	2502-207	5/16-18 X 2 HHCS GR 5 ZYD
9	2	2520-205	5/16-18 LOCK HEX NUT ZYD
10	8	2520-352	1/2-13 HEX NUT ZYD
11	8	2525-352	1/2 MED LOCK WASHER ZYD
12	8	2502-317	1/2-13 X 1 3/4 HHCS GR 5 ZYD

PARTS IDENTIFICATION

6001-018 – MOUNTING KIT, JD 455 DRILLS

KEY	QTY.	PART NO.	DESCRIPTION
1	4	6001-274	MOUNT ANGLE, JD 455, W.A.
2	4	2570-064	$\frac{3}{4}$ X 6 X 8 U-BOLT ZYD
3	8	2525-501	$\frac{3}{4}$ MED LOCK WASHER ZYD
4	8	2520-504	$\frac{3}{4}$ -10 HEX NUT ZYD
5	8	2502-317	$\frac{1}{2}$ -13 X 1 $\frac{3}{4}$ HHCS GR 5 ZYD
6	8	2525-352	$\frac{1}{2}$ MED LOCK WASHER ZYD
7	8	2520-352	$\frac{1}{2}$ -13 HEX NUT ZYD

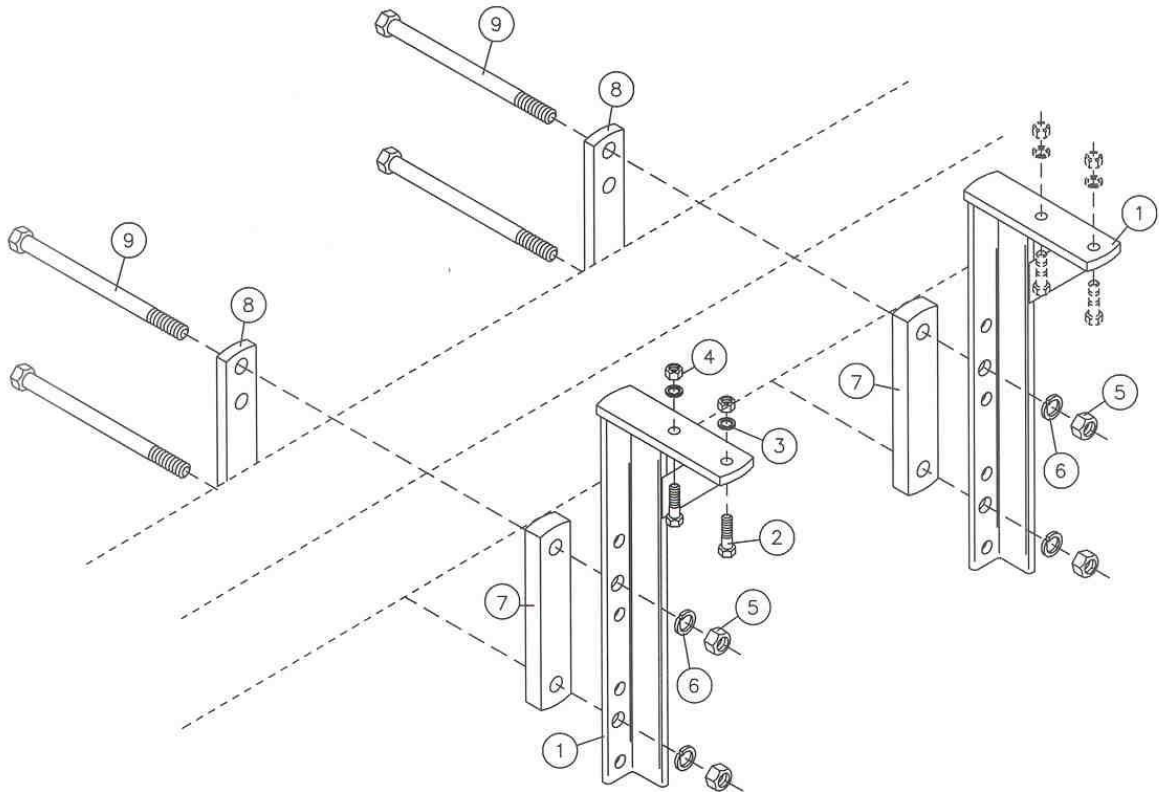


1197

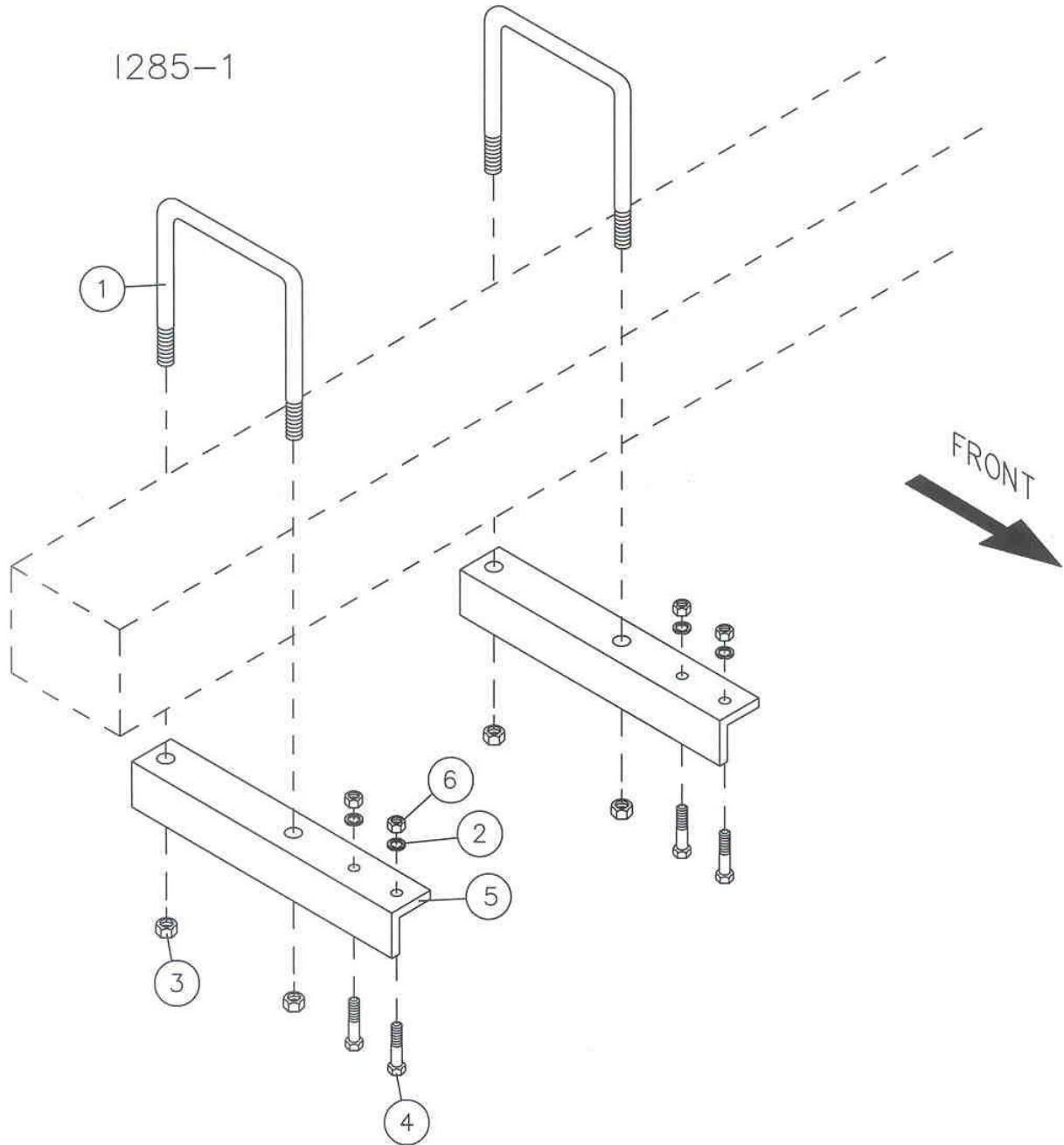
PARTS IDENTIFICATION

6001-022 – MOUNTING KIT, 15' & 20' TYE SERIES 5 30' JOHN DEERE PLANTER 12 ROW 30"

KEY	QTY.	PART NO.	DESCRIPTION
1	4	6001-259	21" MOUNT ANGLE W.A.
2	8	2502-317	1/2-13 X 1 3/4 HHCS GR 5 ZYD
3	8	2525-352	1/2 MED LOCK WASHER ZYD
4	8	2520-352	1/2-13 HEX NUT ZYD
5	8	2520-504	3/4-10 HEX NUT ZYD
6	8	2525-501	3/4 MED LOCK WASHER ZYD
7	4	6001-477	1" SPACER, 7" BAR
8	4	2970-324	MOUNT STRAP
9	8	2502-520	3/4-10 X 11" HHCS GR 5 ZYD



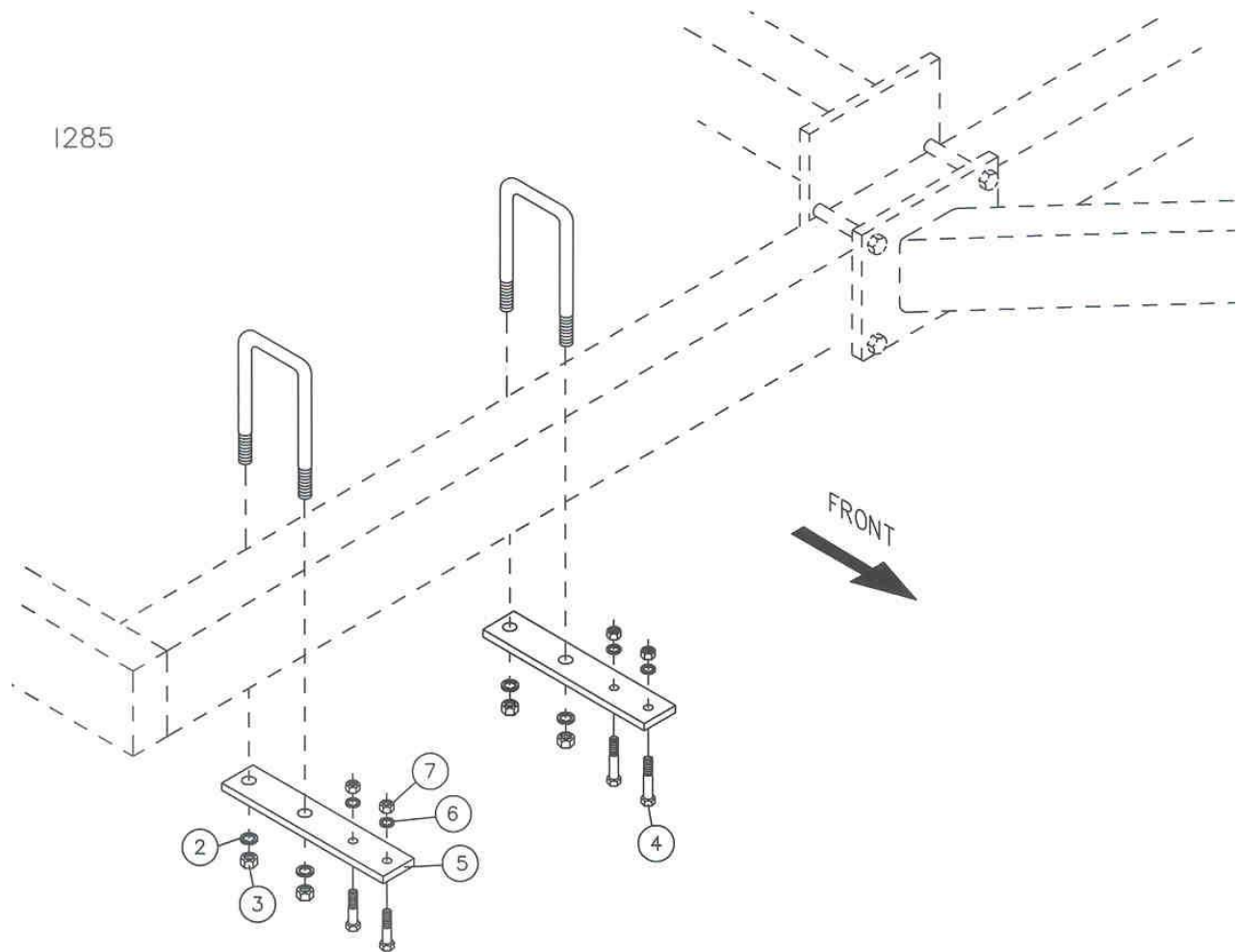
PARTS IDENTIFICATION



6001-026 – MARKER MOUNTING KIT, 7 X 7 CULTIVATOR

KEY	QTY.	PART NO.	DESCRIPTION
1	4	2570-626	5/8 X 7 X 9 U-BOLT ZYD
2	8	2525-352	1/2 MED LOCKWASHER ZYD
3	8	2520-459	5/8-11 HEX LOCK NUT ZYD
4	8	2502-294	1/2-13 X 1-1/2 HHCS GR 5 ZYD
5	4	6001-353	MOUNT ANGLE, 7X7 CULTIVATOR
6	8	2520-352	1/2-13 HEX NUT ZYD

PARTS IDENTIFICATION

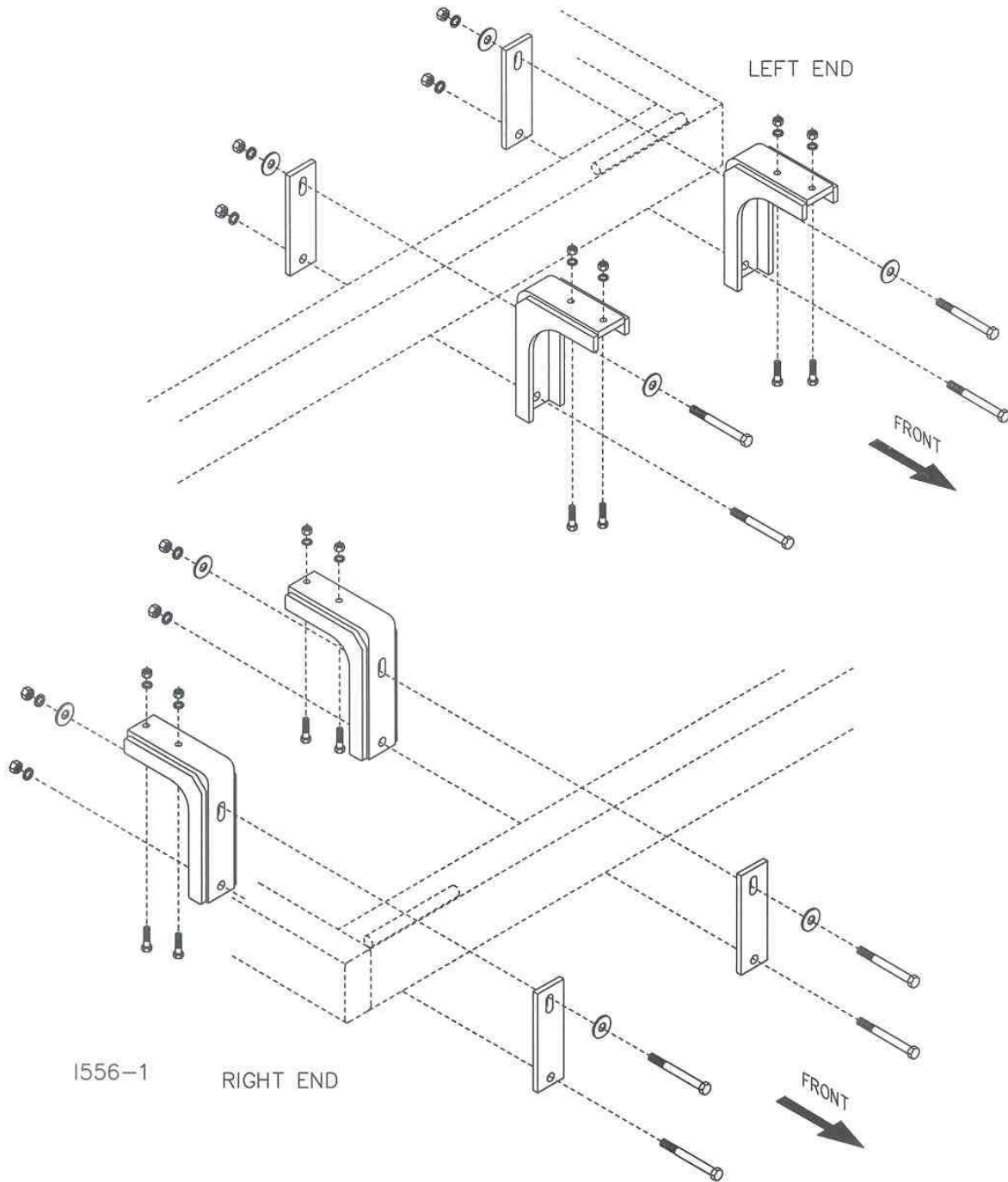


6001-028 – MARKER MOUNTING KIT JOHN DEERE 750, 1560, 1590 15FT & 20FT

KEY	QTY.	PART NO.	DESCRIPTION
1	4	2570-733	3/4 X 4 X 8 U-BOLT ZYD
2	8	2525-501	3/4 MED LOCK WASHER ZYD.
3	8	2520-504	3/4-10 HEX NUT ZYD
4	8	2502-351	1/2-13 X 2 HHCS GR 5 ZYD
5	4	6001-416	MOUNTING PLATE, JD 750
6	8	2525-352	1/2 MED LOCK WASHER ZYD
7	8	2520-352	1/2-13 HEX NUT ZYD

PARTS IDENTIFICATION

6001-031 MARKER MOUNTING KIT, JD 1850/1860/1890 W/O CCS TANK

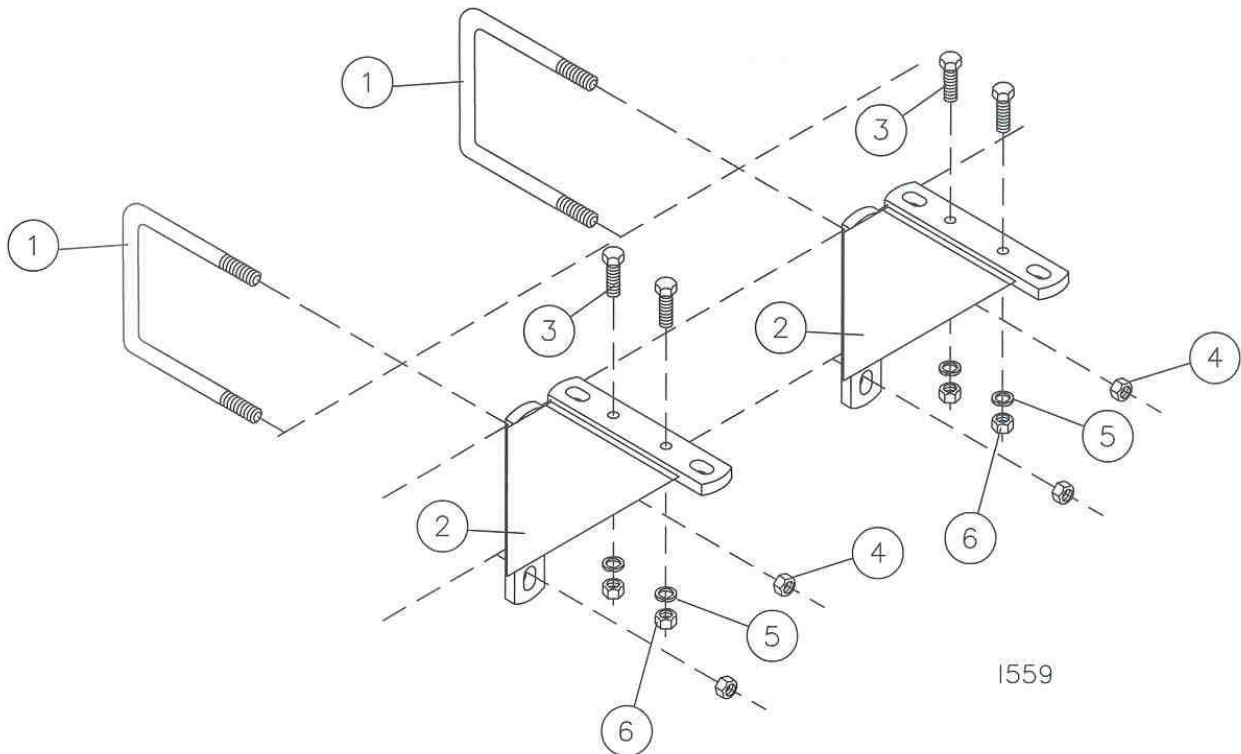


KEY	QTY	PART NO.	DESCRIPTION
1	8	2502-509	3/4-10 X 7" HHCS GR.5 ZP
2	4	6001-284	MARKER MOUNT W.A.-JD 1850
3	8	2526-501	3/4 STD. FLATWASHER ZP
4	8	2525-501	3/4 MED. LOCKWASHER ZP
5	8	2520-504	3/4-10 HEX NUT ZP
6	8	2502-351	1/2-13 X 2" HHCS GR. 5 ZP
7	8	2525-352	1/2 MED. LOCKWASHER ZP
8	8	2520-352	1/2-13 HEX NUT ZP
9	4	6001-493	MARKER MOUNT CLAMP PLATE

PARTS IDENTIFICATION

6001-033 - MARKER MOUNT KIT 7 X 7 OR 8 X 8 BAR

Key	Qty.	Part No.	Description
1	4	2570-478	3/4 X 7" X 9" U-BOLT ZYD
	4	2570-755	3/4 X 8" X 10" U-BOLT ZYD
2	4	6001-289	MARKER MOUNT W.A.
3	8	2502-317	1/2-13 X 1 3/4" HHCS GR.5 ZP
4	8	2520-515	3/4-16 LOCK HEX NUT ZP
5	8	2525-352	1/2 MED. LOCKWASHER
6	8	2520-352	1/2-13 HEX NUT ZP

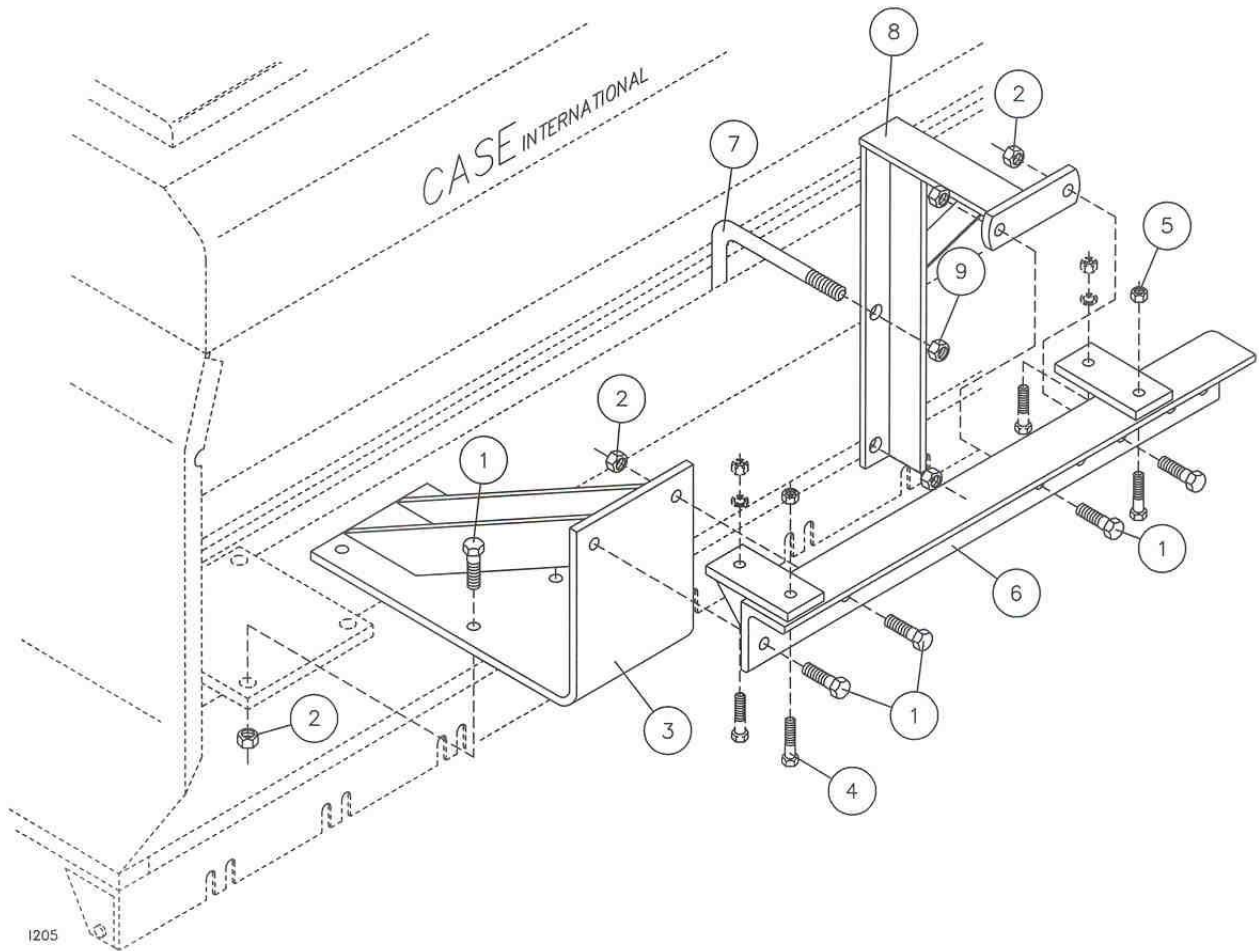


1559

PARTS IDENTIFICATION

6001-042 – MOUNTING KIT, CASE IH 5500 DRILL

KEY	QTY.	PART NO.	DESCRIPTION
1	16	2502-331	5/8-11 X 1 3/4 HHCS GR 5 ZYD
2	16	2520-459	5/8-11 LOCK HEX NUT ZYD
3	2	6001-275	MOUNTING BRACKET W.A., IH 5500
4	8	2502-351	1/2-13 X 2 HHCS GR 5 ZYD
5	8	2520-357	1/2-13 LOCK HEX NUT ZYD
6	2	6001-276	MOUNT ANGLE W.A., CASE IH 5500
7	2	2570-478	3/4 X 7 X 9 U-BOLT ZYD
8	2	6001-277	MOUNTING BRACE W.A., IH 5500
9	4	2520-515	3/4-10 LOCK HEX NUT ZYD



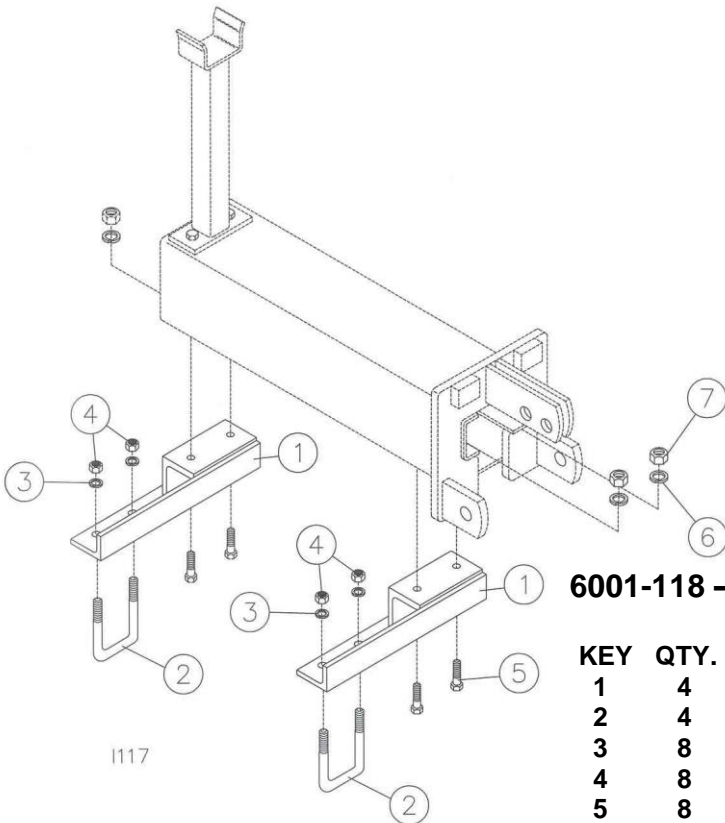
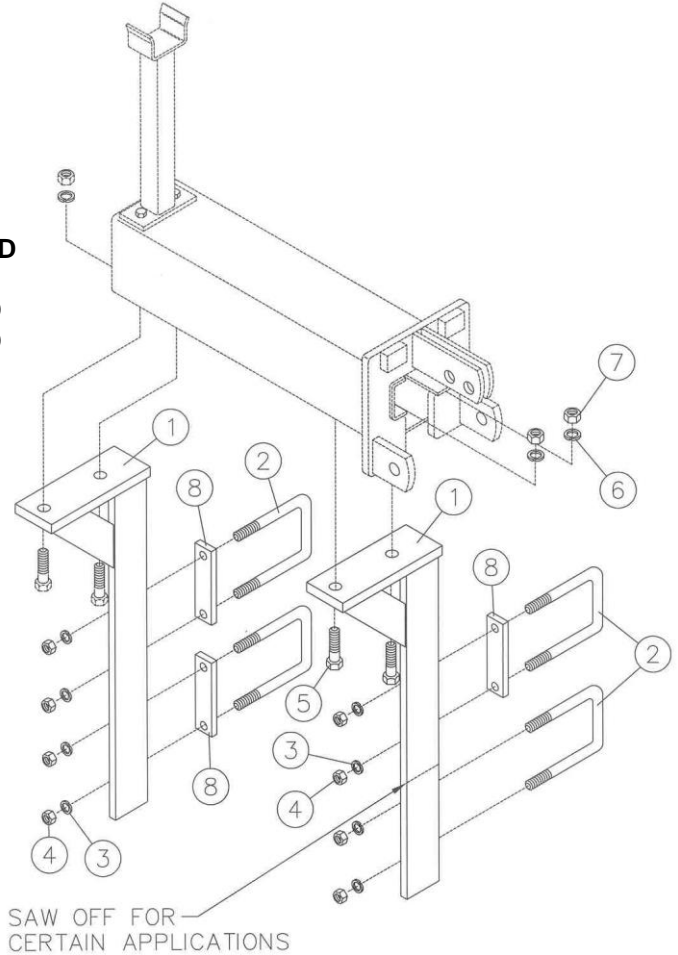
NOTE: SHOWN ON RIGHT HAND END OF DRILL.

PARTS IDENTIFICATION

6001-120 – MOUNTING KIT, GREAT PLAINS

KEY	QTY.	PART NO.	DESCRIPTION
1	4	6001-259	21" MOUNT ANGLE W.A.
2	8	2570-564	5/8 X 3-1/2 X 5 U-BOLT
3	16	2525-451	5/8 MED LOCK WASHER ZYD
4	16	2520-452	5/8-11 HEX NUT ZYD
5	8	2502-317	1/2-13 X 1 3/4 HHCS GR 5 ZYD
6	8	2525-352	1/2 MED LOCK WASHER ZYD
7	8	2520-352	1/2-13 HEX NUT ZYD
8	8	6001-445	MOUNTING SPACER

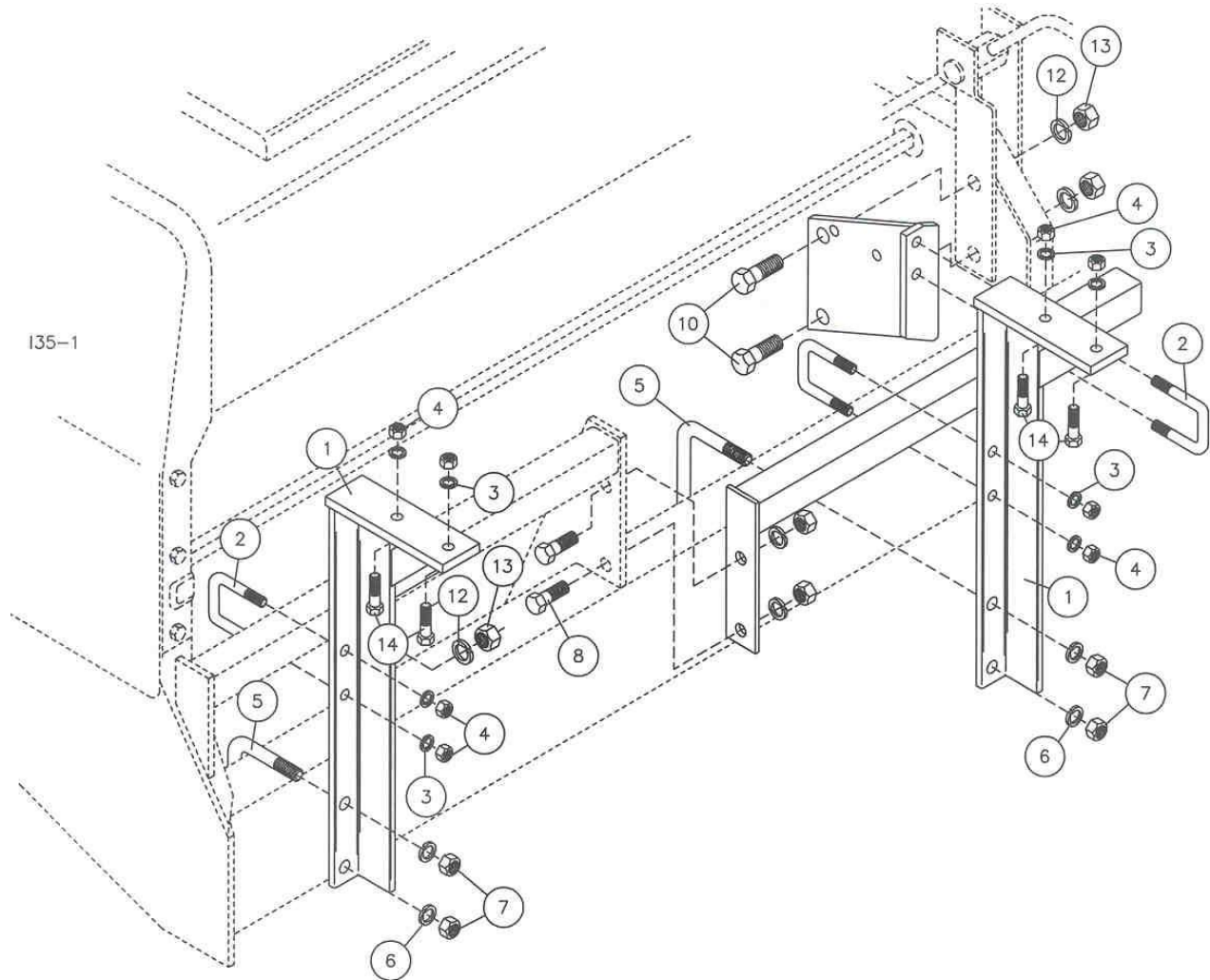
NOTE: Part No. 6001-445, Mounting Spacer
Only used on drills with 7" or 10" spacing.
Also need to saw off bottom end of 6001-259
to obtain full range of seeding rates.



6001-118 – MOUNTING KIT, (M&W, MARLISS &TYE)

KEY	QTY.	PART NO.	DESCRIPTION
1	4	6001-232	MOUNTING BRACKET W.A.
2	4	2570-564	5/8 X 3 1/2 X 5 U-BOLT ZYD
3	8	2525-451	5/8 MED LOCK WASHER ZYD
4	8	2520-452	5/8-11 HEX NUT ZYD
5	8	2502-317	1/2-13 X 1 3/4 HHCS GR 5 ZYD
6	8	2525-352	1/2 MED LOCK WASHER ZYD
7	8	2520-352	1/2-13 HEX NUT ZYD

PARTS IDENTIFICATION

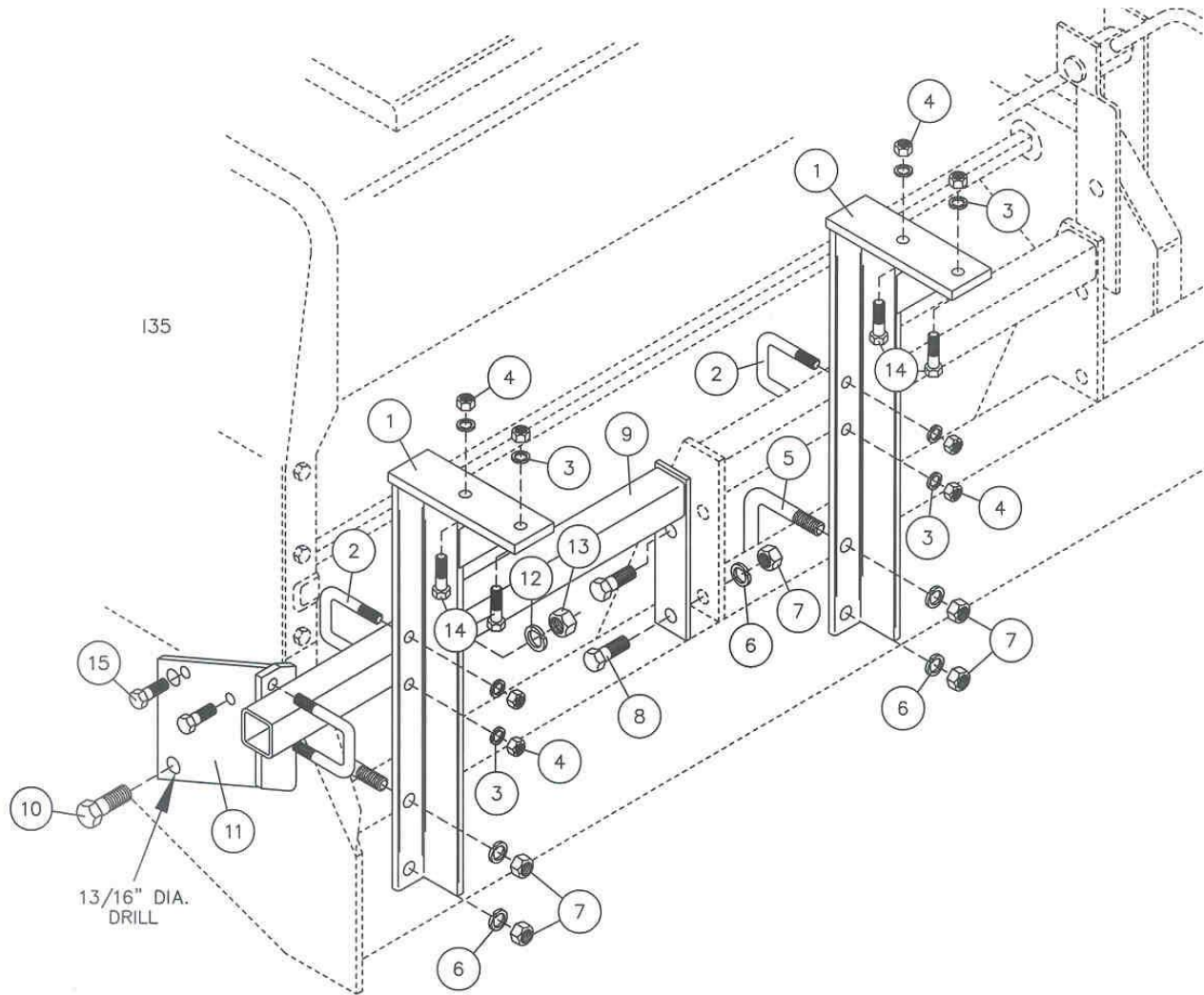


135-1

6001-191 – MARKER MOUNTING KIT, JD 515/520 (MOUNTED ON JD 515)

KEY	QTY.	PART NO.	DESCRIPTION
1	4	6001-261	MOUNT ANGLE W.A., JD 515 & 520
2	6	2570-565	1/2 X 2 X 3 U-BOLT ZYD
3	20	2525-352	1/2 MED LOCK WASHER ZYD
4	20	2520-352	1/2-13 HEX NUT ZYD
5	4	2570-602	5/8-11 X 3 X 4 1/2 U-BOLT ZYD
6	12	2525-451	5/8 MED LOCK WASHER ZYD
7	12	2520-452	5/8-11 HEX NUT ZYD
8	4	2502-318	5/8-11 X 1 1/2 HHCS GR 5 ZYD
9	2	6001-262	2 X 2 BAR W.A., JD 515 & 520
10	4	2502-503	3/4-10 X 2 HHCS GR 5 ZYD
11	1	6001-455	2 X 2 BAR BRACE, JD 515 & 520 (SHOWN)
	1	6001-460	L.H. 2 X 2 BRACE, JD 515 & 520
12	4	2525-501	3/4 MED LOCK WASHER ZYD
13	4	2520-504	3/4-10 HEX NUT ZYD
14	8	2502-317	1/2-13 X 1 3/4 HHCS GR 5 ZYD

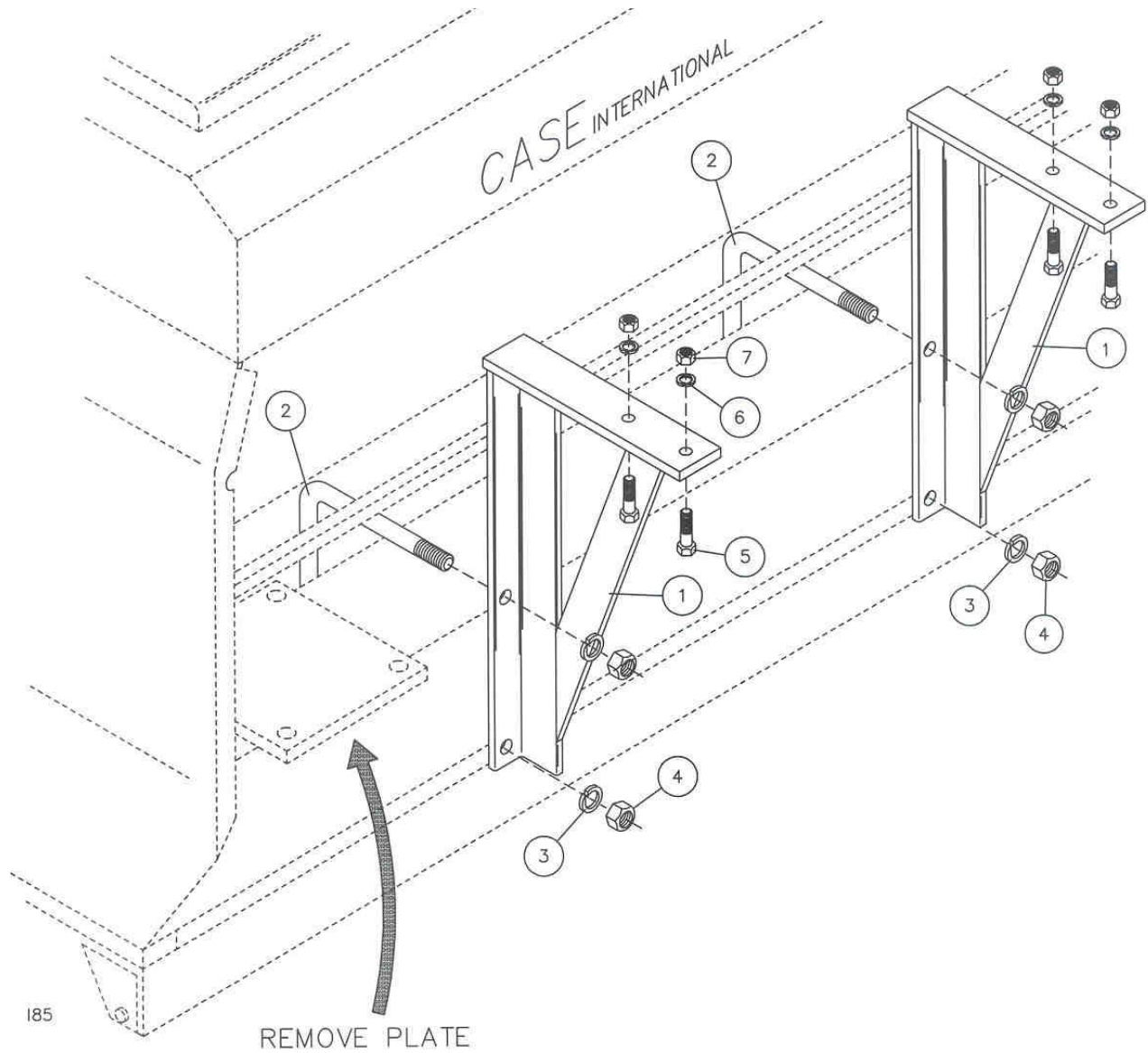
PARTS IDENTIFICATION



**6001-191 – MARKER MOUNTING KIT, JD 515/520
(MOUNTED ON JD 520)**

KEY	QTY.	PART NO.	DESCRIPTION
1	4	6001-261	MOUNT ANGLE W.A., JD 515 & 520
2	6	2570-565	1/2 X 2 X 3 U-BOLT ZYD
3	20	2525-352	1/2 MED LOCK WASHER ZYD
4	20	2520-352	1/2-13 HEX NUT ZYD
5	4	2570-602	5/8-11 X 3 X 4 1/2 U-BOLT ZYD
6	12	2525-451	5/8 MED LOCK WASHER ZYD
7	12	2520-452	5/8-11 HEX NUT ZYD
8	4	2502-318	5/8-11 X 1 1/2 HHCS GR 5 ZYD
9	2	6001-262	2 X 2 BAR W.A., JD 515 & 520
10	4	2502-503	3/4-10 X 2 HHCS GR 5 ZYD
11	1	6001-455	2 X 2 BAR BRACE, JD 515 & 520 (SHOWN)
	1	6001-460	L.H. 2 X 2 BRACE, JD 515 & 520
12	4	2525-501	3/4 MED LOCK WASHER ZYD
13	4	2520-504	3/4-10 HEX NUT ZYD
14	8	2502-317	1/2-13 X 1 3/4 HHCS GR 5 ZYD

PARTS IDENTIFICATION

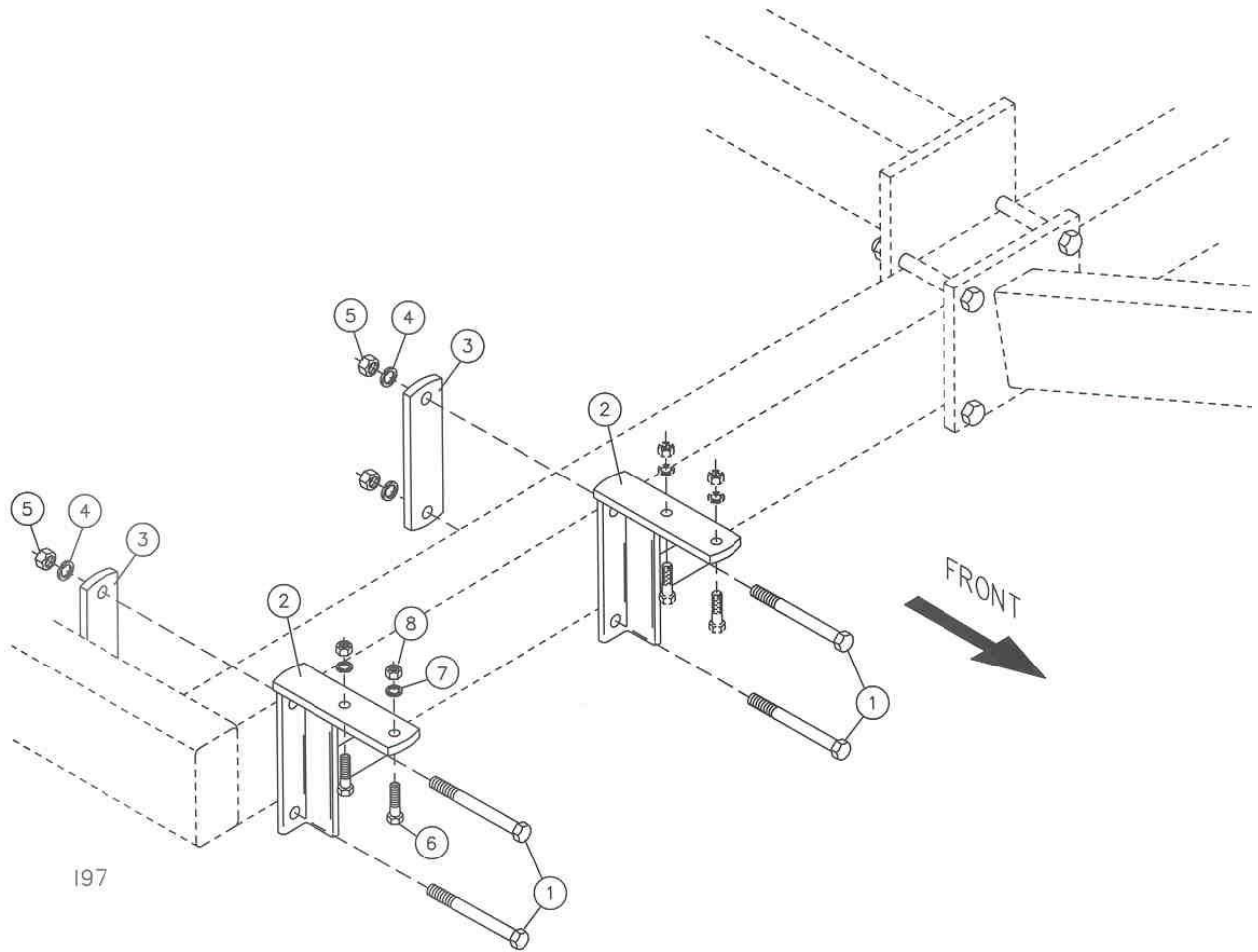


185

6001-195 – MARKER MOUNTING KIT, CASE IH 5200/5400

KEY	QTY.	PART NO.	DESCRIPTION
1	2	6001-266	R.H. MARKER MOUNT W.A., IH 5200 (SHOWN)
	2	6001-267	L.H. MARKER MOUNT W.A., IH 5200
2	4	2570-478	3/4 X 7 X 9 U-BOLT ZYD
3	8	2525-501	3/4 MED LOCK WASHER ZYD
4	8	2520-504	3/4-10 HEX NUT ZYD
5	8	2502-317	1/2-13 X 1 3/4 HHCS GR 5 ZYD
6	8	2525-352	1/2 MED LOCK WASHER ZYD
7	8	2520-352	1/2-13 HEX NUT ZYD

PARTS IDENTIFICATION

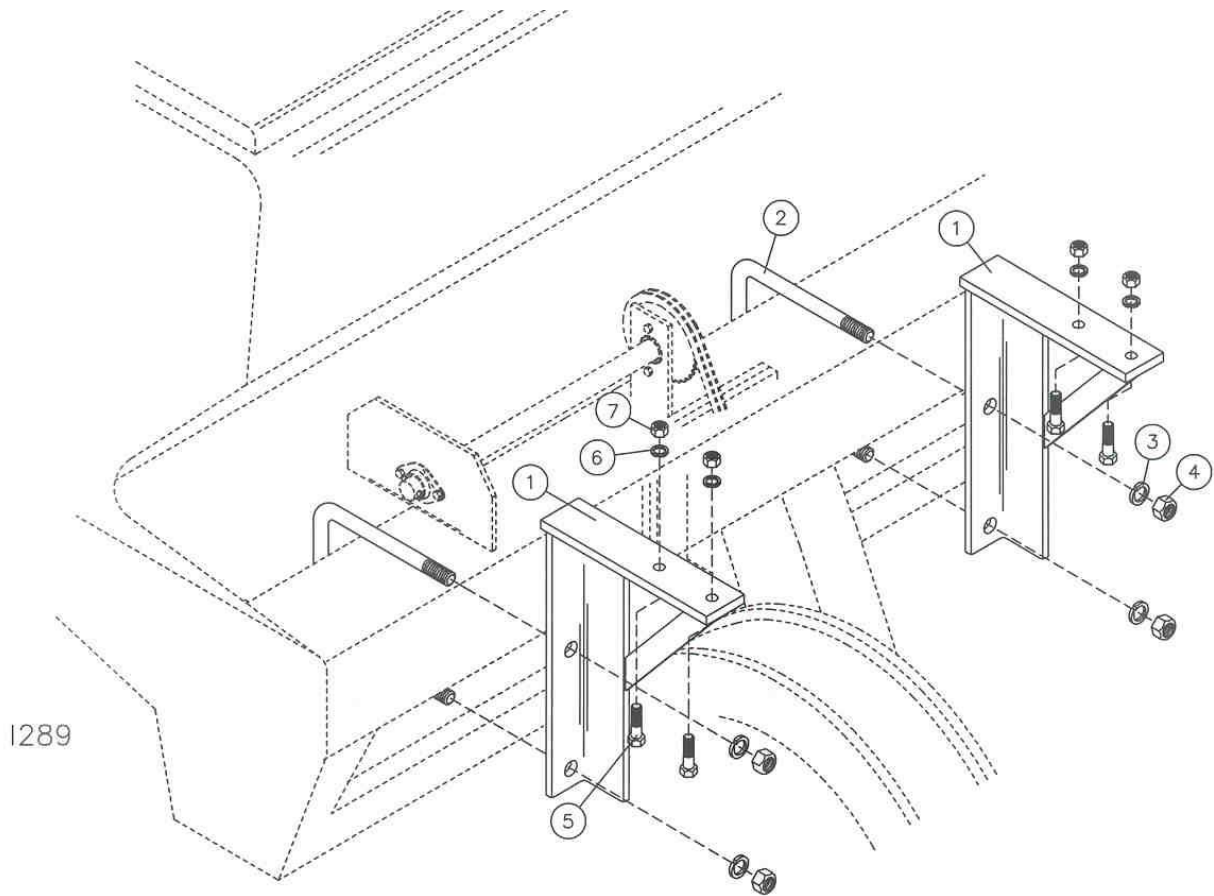


NOTE: May also be used on 4 x 4 toolbar.

6001-198 – MARKER MOUNTING KIT, JD 750, 1560, 1590 - 30 FT. MARKERS

KEY	QTY.	PART NO.	DESCRIPTION
1	8	2502-335	5/8-11 X 6 HHCS GR 5 ZYD
2	4	6001-268	MOUNTING ANGLE W.A., JD 750
3	4	6001-470	CLAMP PLATE, JD 750
4	8	2525-451	5/8 MED LOCK WASHER ZYD
5	8	2520-452	5/8-11 HEX NUT ZYD
6	8	2502-317	1/2-13 X 1 3/4 HHCS GR 5 ZYD
7	8	2525-352	1/2 MED LOCK WASHER ZYD
8	8	2520-352	1/2-13 HEX NUT ZYD

PARTS IDENTIFICATION

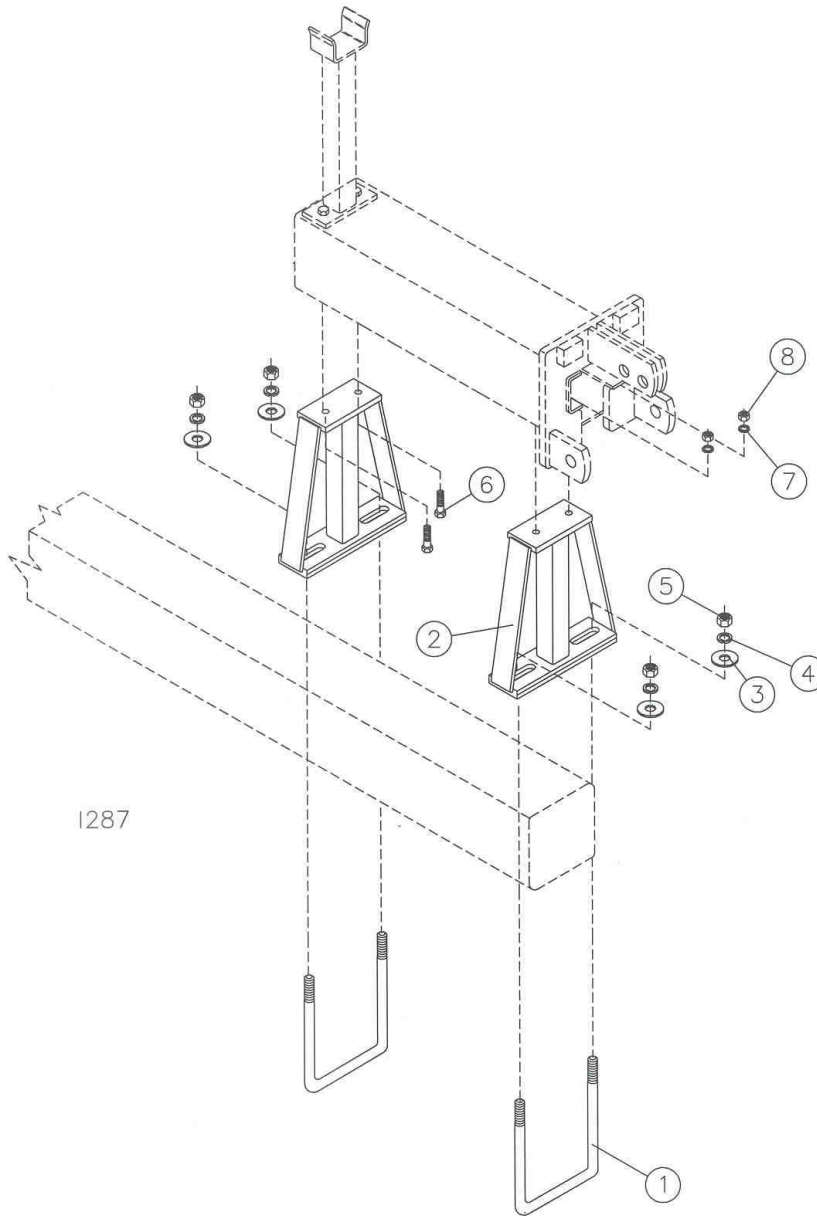


6100-108 MOUNTING KIT, G.P. 2000 SERIES

KEY	QTY.	PART NO.	DESCRIPTION
1	4	6100-217	MOUNT ANGLE, (G.P. 2000) W.A.
2	4	2570-064	3/4 X 6 X 8 U-BOLT, ZP.
3	8	2525-501	3/4 MED. LOCKWASHER, ZP.
4	8	2520-504	3/4-10 HEX NUT, ZP.
5	8	2502-317	1/2-13 X 1 3/4" HHCS GR.5, ZP.
6	8	2525-352	1/2 MED. LOCKWASHER, ZP.
7	8	2520-352	1/2-13 HEX NUT, ZP.

PARTS IDENTIFICATION

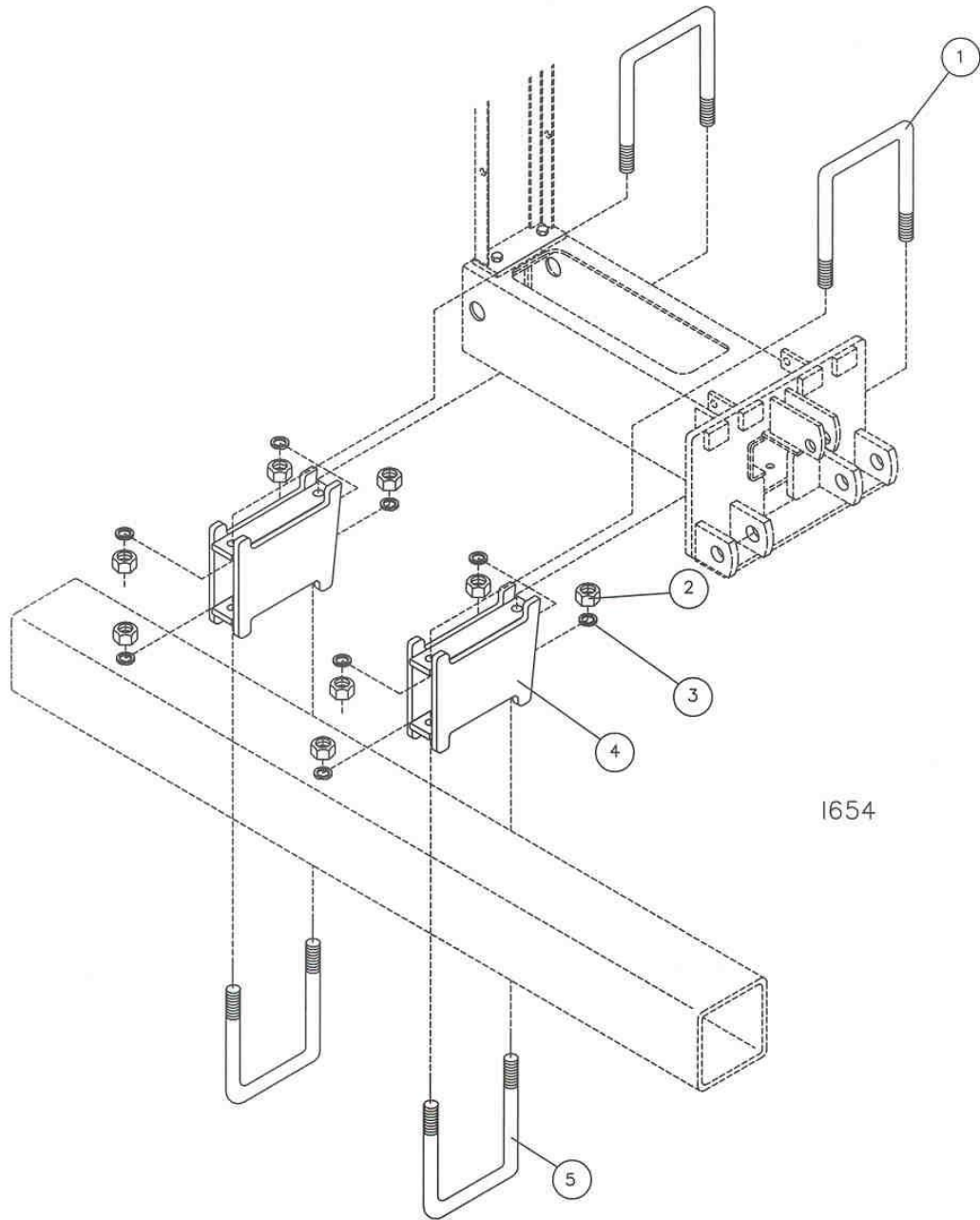
NOTE: ON PLANTERS, 6001-022 MOUNTING KIT
MAY BE USED WHEN TRYING TO CLEAR FERTILIZER TANKS.



6100-110 – PLANTER MARKER KIT 5 X 7, 7 X 7 TOOLBAR

KEY	QTY.	PART NO.	DESCRIPTION
1	4	2570-478	3/4 X 7 X 9 U-BOLT ZYD
2	4	6100-213	MOUNTING BRACKET W.A. PLANTER
3	8	2526-501	3/4 STANDARD FLAT WASHER ZYD
4	8	2525-501	3/4 MED LOCK WASHER ZYD
5	8	2520-504	3/4-10 HEX NUT ZYD
6	8	2502-317	1/2-13 X 1 3/4 HHCS GR 5 ZYD
7	8	2525-352	1/2 MED LOCK WASHER ZYD
8	8	2520-352	1/2-13 HEX NUT ZYD

PARTS IDENTIFICATION



1654

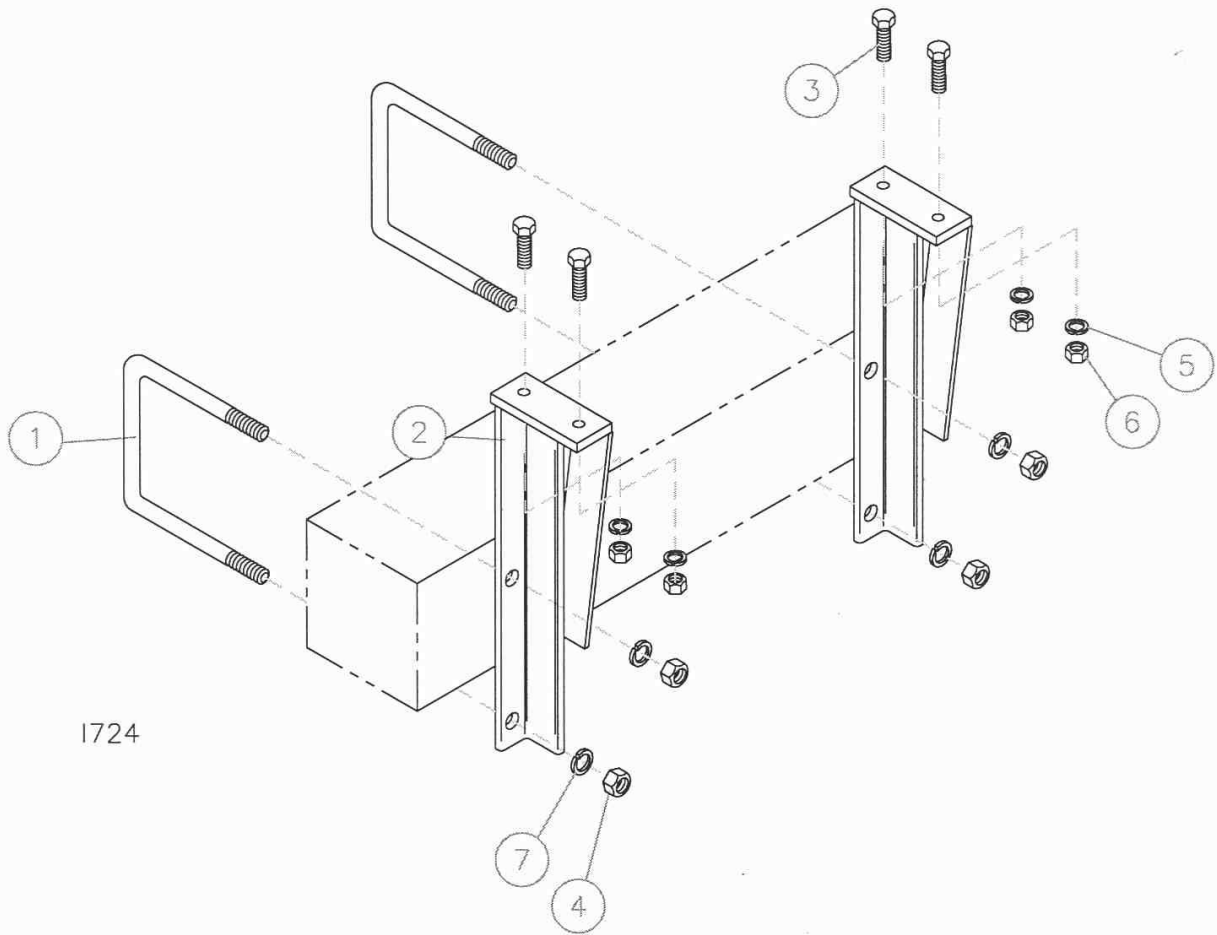
6150-090 - MARKER MOUNT KIT

KEY	QTY	PART NO.	DESCRIPTION
1	4	2570-771	5/8 X 8 X 10 U-BOLT ZYD
2	16	2520-452	5/8 - 11 HEX NUT ZP
3	16	2525-451	5/8 MED LOCKWASHER
4	4	6150-285	MARKER TUBE MOUNT W.A.
5	4	2570-626	5/8 X 7 X 9 U-BOLT, ZYD

PARTS IDENTIFICATION

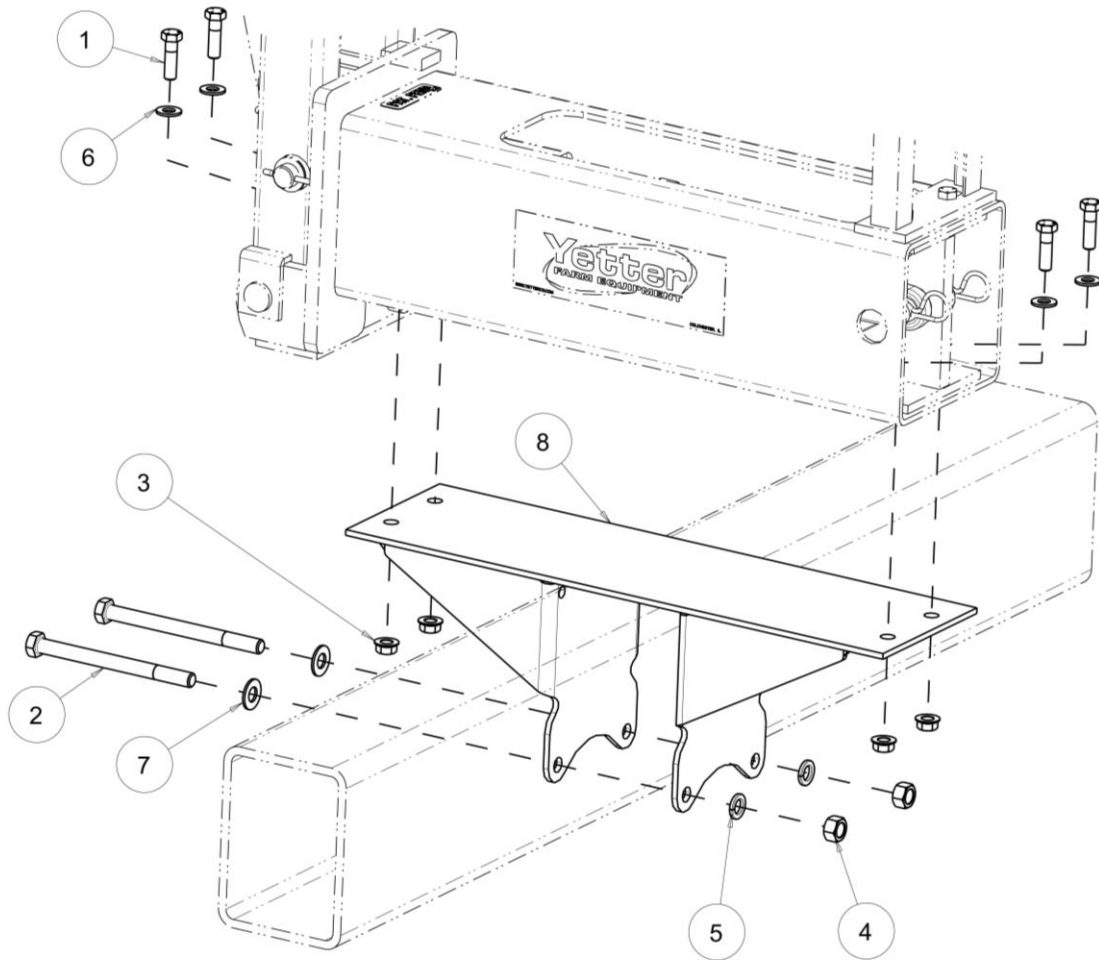
6150-091 - MARKER MOUNT KIT, WHITE 6000

Key	Qty.	Part No.	Description
1	4	2570-478	3/4 X 7" X 9" U-BOLT ZYD
2	4	6150-288	MARKER MOUNT W.A., WHITE 6000
3	8	2502-317	1/2-13 X 1 3/4" HHCS GR.5 ZYD
4	8	2520-504	3/4-10 HEX NUT ZYD
5	8	2525-352	1/2 MED. LOCKWASHER ZYD
6	8	2520-352	1/2-13 HEX NUT ZYD
7	8	2525-501	3/4 MED LOCKWASHER ZYD



PARTS IDENTIFICATION

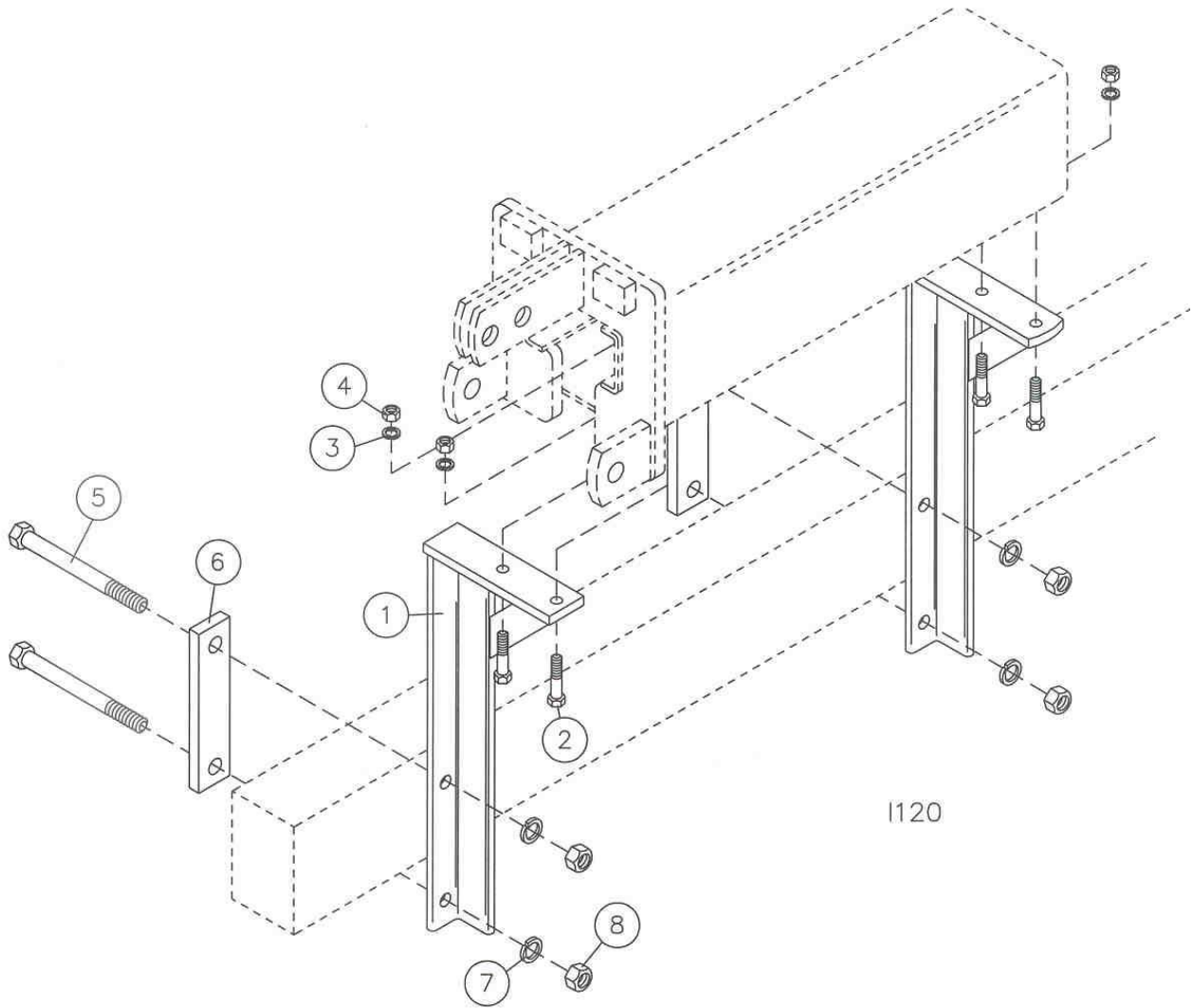
6150-092 - MARKER MOUNT KIT CNH 500/500T



ITEM	PART NO.	DESCRIPTION	QTY
1	2502-317	1/2-13 X 1-3/4 HHCS GR5 ZP	8
2	2502-380	5/8-11 X 7-1/2 HHCS GR5 ZP	4
3	2520-361	1/2-13 FLANGE WHZLCK HXNT, GR 5, ZP	8
4	2520-452	5/8-11 HEXNUT ZP	4
5	2525-451	5/8 MED. LOCKWASHER ZP.	4
6	2526-352	1/2 SAE FLATWASHER ZP	8
7	2526-453	5/8 SAE FLATWASHER ZP	4
8	6150-295	MARKER MOUNT W.A. CNH 500/500T	2



PARTS IDENTIFICATION

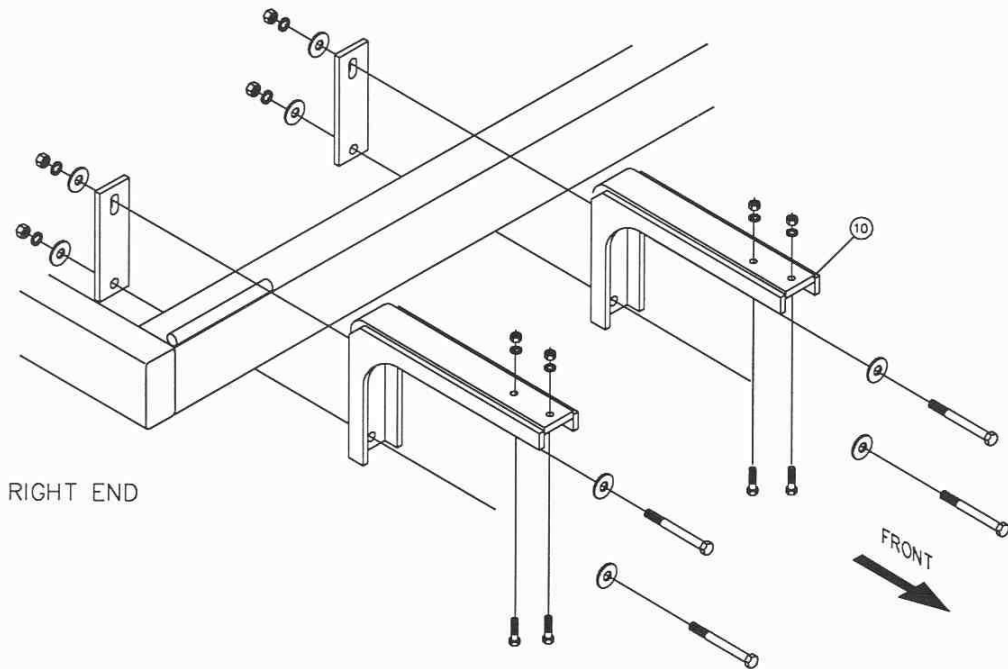
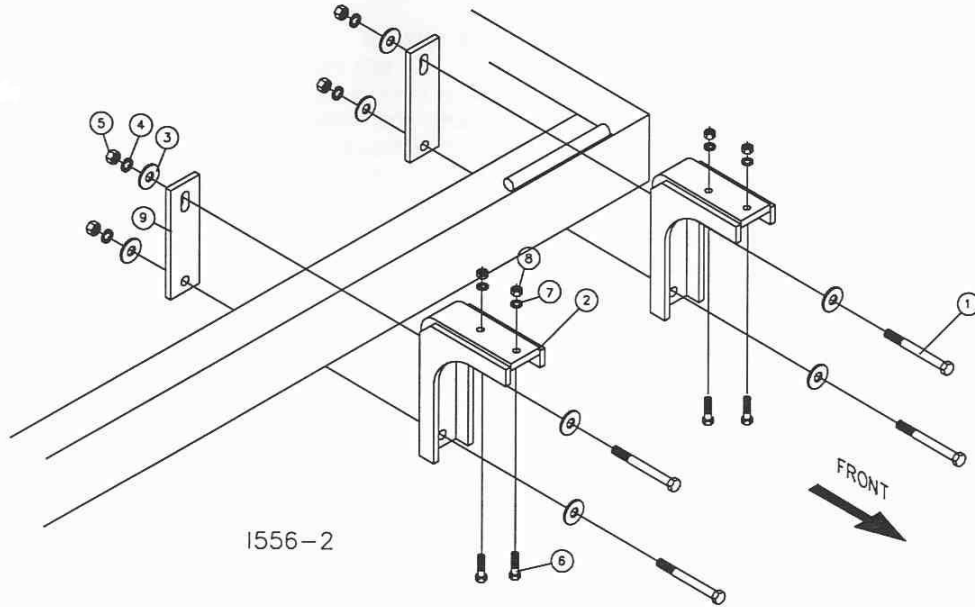


6150-101 - DMI 4 X 6 MARKER MTG. KIT

KEY	QTY.	PART NO.	DESCRIPTION
1	4	6150-229	MOUNT ANGLE, DMI W.A.
2	8	2502-317	1/2-13 X 1-3/4 HHCS GR 5 ZYD
3	8	2525-352	1/2 MED. LOCKWASHER ZP.
4	8	2520-352	1/2-13 HEX NUT ZP.
5	8	2502-510	3/4-10 X 6 HHCS GR 5 ZYD
6	4	6150-363	CLAMP PLATE 6 X 6 BAR
7	8	2525-501	3/4 MED LOCKWASHER ZYD
8	8	2520-504	3/4-10 HEX NUT ZYD

PARTS IDENTIFICATION

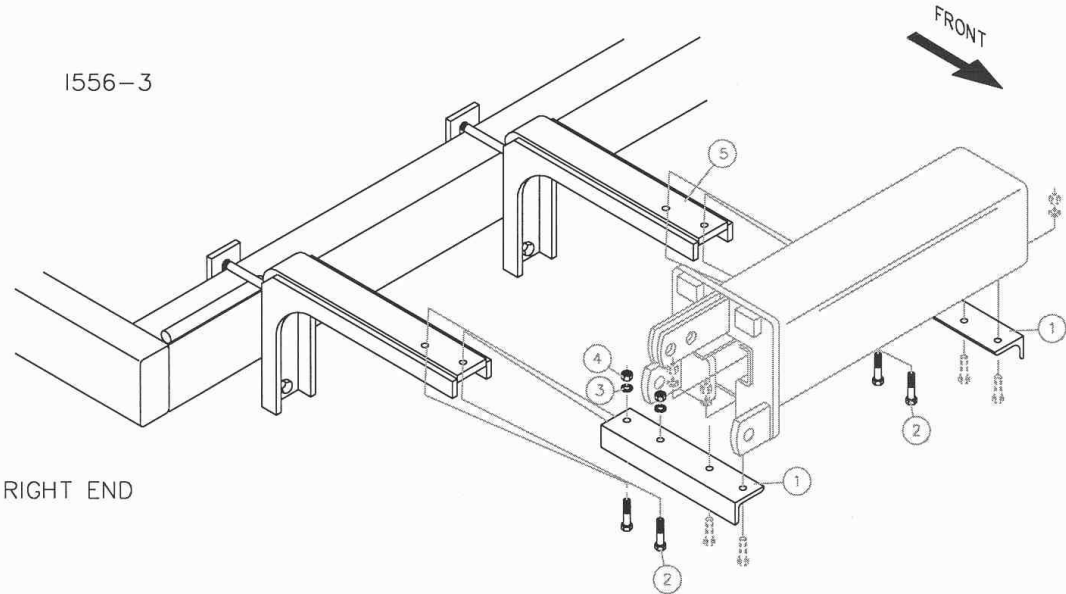
6150-162 MARKER MOUNTING, JD 1690/1890



KEY	QTY	PART NO.	DESCRIPTION
1	8	2502-510	3/4-10 X 6" HHCS GR.5 ZP
2	2	6001-284	MARKER MOUNT<SHORT>
3	8	2526-501	3/4 STD. FLATWASHER ZP
4	8	2525-501	3/4 MED. LOCKWASHER ZP
5	8	2520-504	3/4-10 HEX NUT ZP
6	8	2502-296	1/2-13 X 2-1/2" HHCS GR. 5 ZP
7	8	2525-352	1/2 MED. LOCKWASHER ZP
8	8	2520-352	1/2-13 HEX NUT ZP
9	4	6001-493	MARKER MOUNT CLAMP PLATE
10	2	6150-286	MARKER MOUNT<LONG>

PARTS IDENTIFICATION

6150-165 6" EXTENSION BRACKET KIT



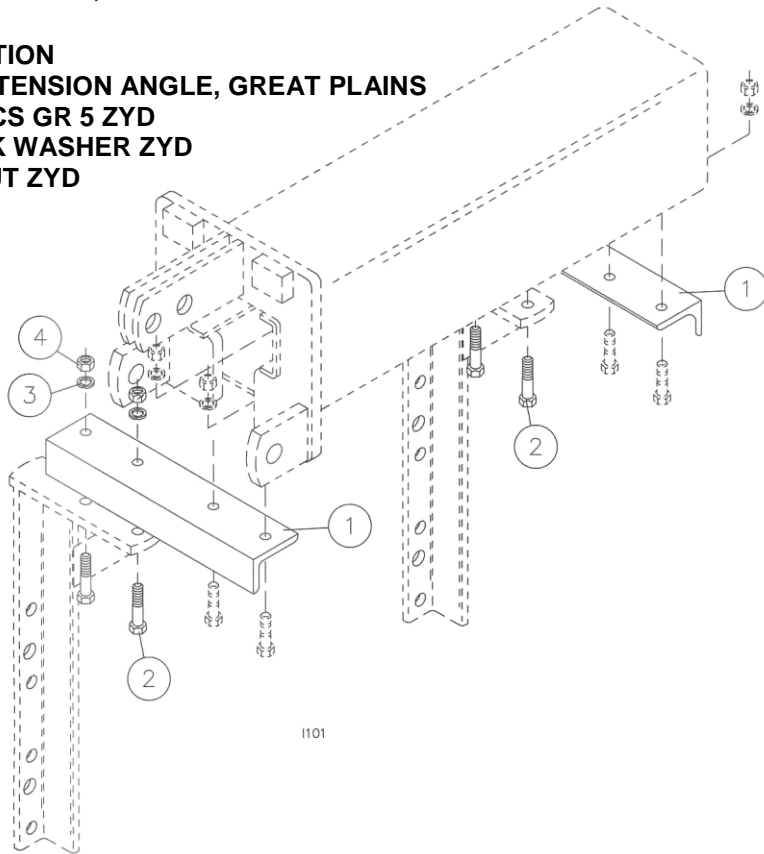
KEY	QTY	PART NO.	DESCRIPTION
1	2	6150-475	MARKER EXTENSION
2	4	2502-351	1/2-13 X 2 HHCS GR.5
3	4	2525-352	1/2 MED LOCKWASHER
4	4	2520-352	1/2-13 HEX NUT
5	2	6150-286	MARKER MOUNT (LONG) REFERENCE ONLY

MARKER EXTENSION KITS

(FOR USE WITH GRASS SEEDER ATTACHMENTS)

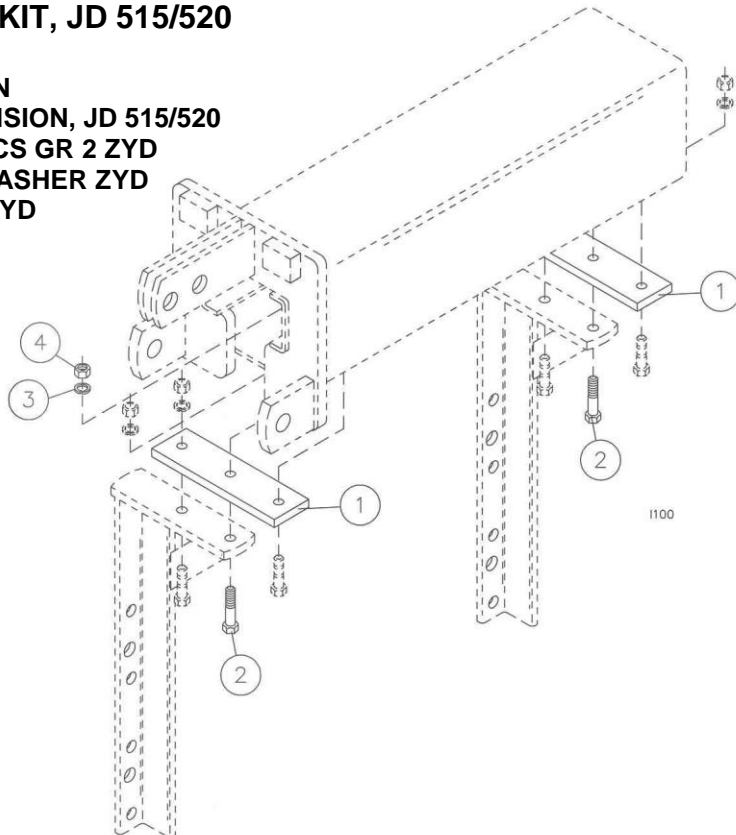
6001-179 – MARKER EXTENSION KIT, GREAT PLAINS

KEY	QTY.	PART NO.	DESCRIPTION
1	4	6001-459	MARKER EXTENSION ANGLE, GREAT PLAINS
2	8	2502-351	1/2-13 X 2 HHCS GR 5 ZYD
3	8	2525-352	1/2 MED LOCK WASHER ZYD
4	8	2520-352	1/2-13 HEX NUT ZYD

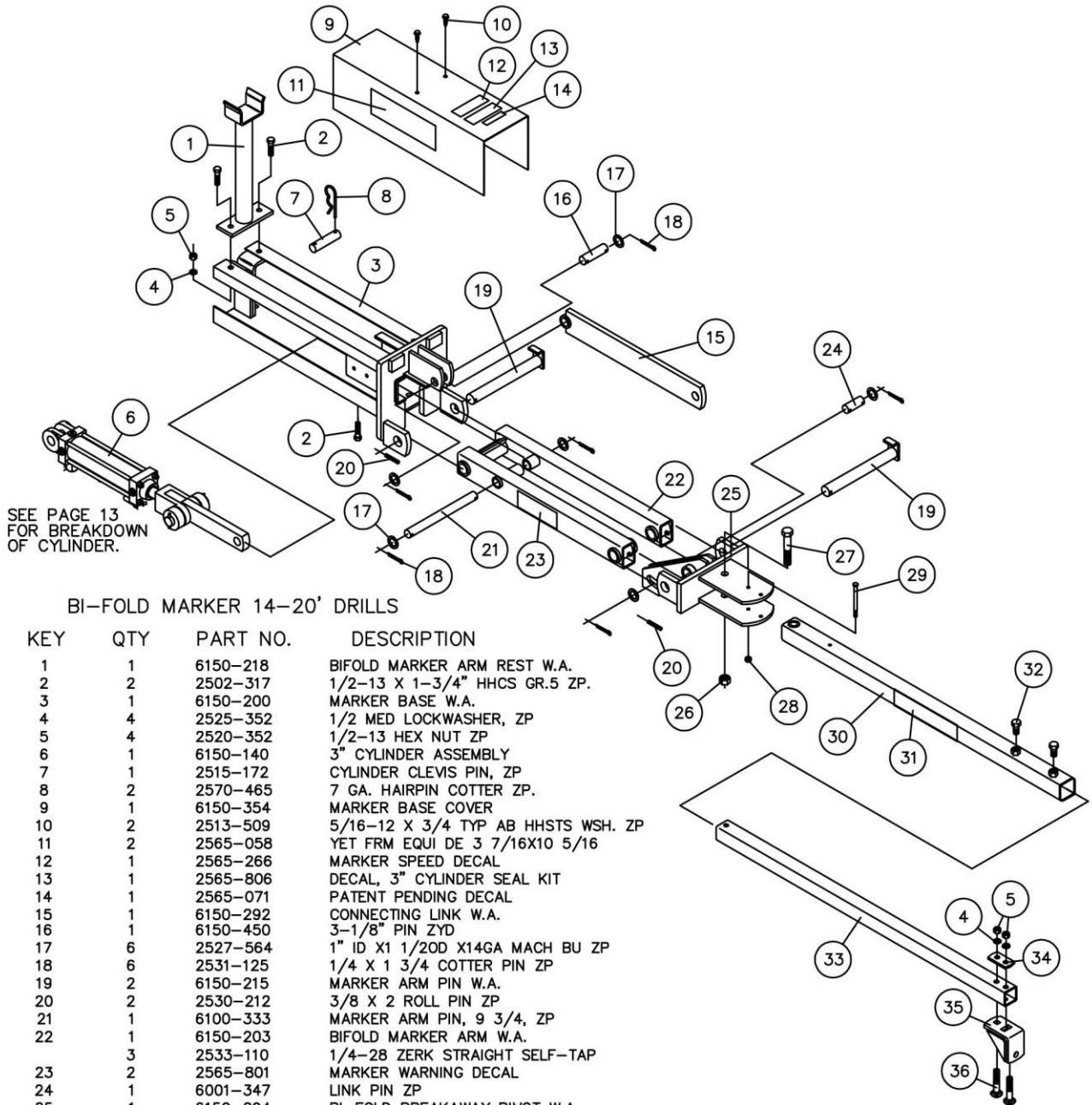


6001-199 – MARKER EXTENSION KIT, JD 515/520

KEY	QTY.	PART NO.	DESCRIPTION
1	4	6001-476	MARKER EXTENSION, JD 515/520
2	4	2502-296	1/2-13 X 2-1/2 HHCS GR 2 ZYD
3	4	2525-352	1/2 MED LOCK WASHER ZYD
4	4	2520-352	1/2-13 HEX NUT ZYD



PARTS IDENTIFICATION

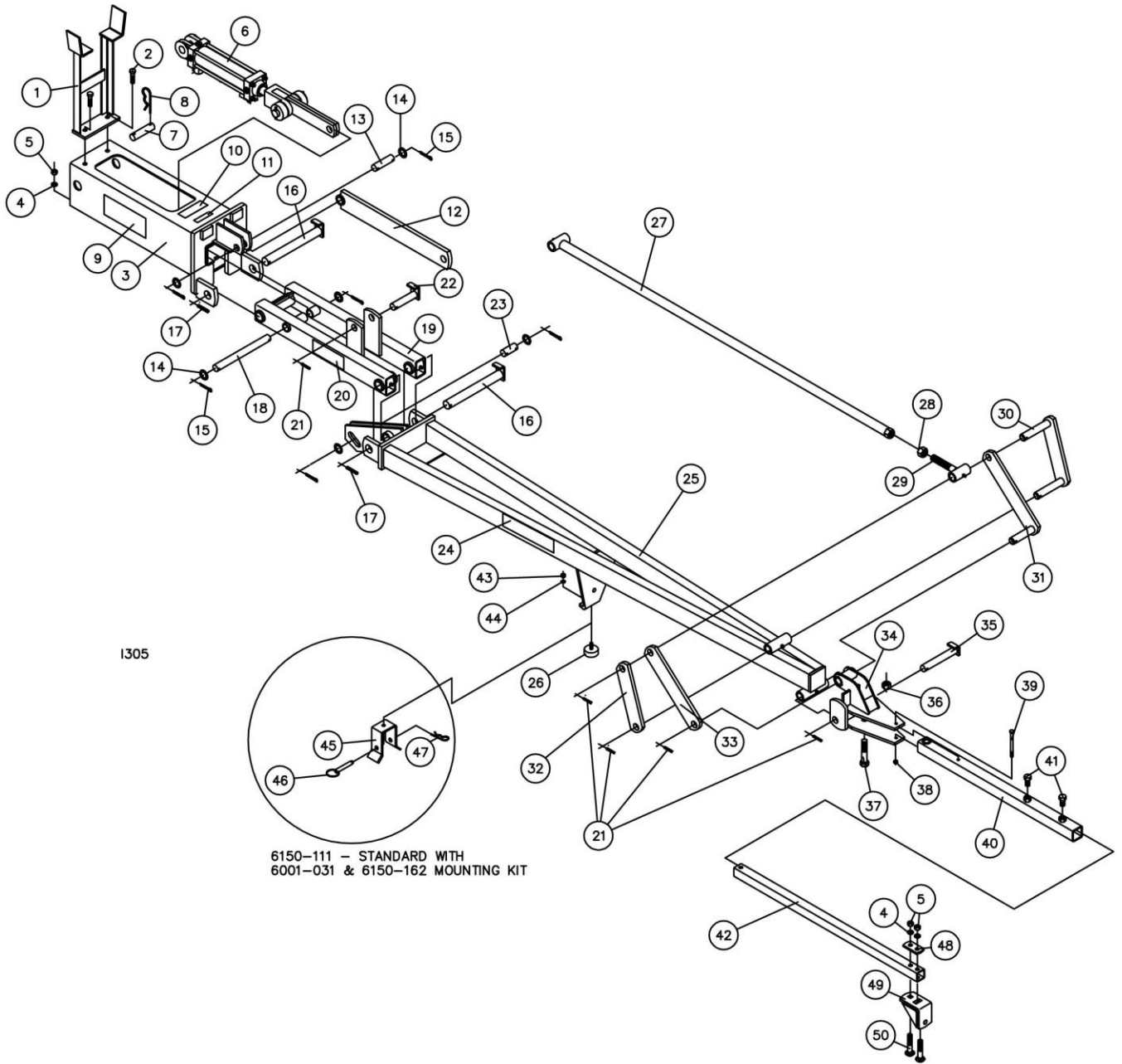


BI-FOLD MARKER 14-20' DRILLS

KEY	QTY	PART NO.	DESCRIPTION
1	1	6150-218	BIFOLD MARKER ARM REST W.A.
2	2	2502-317	1/2-13 X 1-3/4" HHCS GR.5 ZP.
3	1	6150-200	MARKER BASE W.A.
4	4	2525-352	1/2 MED LOCKWASHER, ZP
5	4	2520-352	1/2-13 HEX NUT ZP
6	1	6150-140	3" CYLINDER ASSEMBLY
7	1	2515-172	CYLINDER CLEVIS PIN, ZP
8	2	2570-465	7 GA. HAIRPIN COTTER ZP.
9	1	6150-354	MARKER BASE COVER
10	2	2513-509	5/16-12 X 3/4 TYP AB HHSTS WSH. ZP
11	2	2565-058	YET FRM EQUI DE 3 7/16X10 5/16
12	1	2565-266	MARKER SPEED DECAL
13	1	2565-806	DECAL, 3" CYLINDER SEAL KIT
14	1	2565-071	PATENT PENDING DECAL
15	1	6150-292	CONNECTING LINK W.A.
16	1	6150-450	3-1/8" PIN ZYD
17	6	2527-564	1" ID X1 1/20D X14GA MACH BU ZP
18	6	2531-125	1/4 X 1 3/4 COTTER PIN ZP
19	2	6150-215	MARKER ARM PIN W.A.
20	2	2530-212	3/8 X 2 ROLL PIN ZP
21	1	6100-333	MARKER ARM PIN, 9 3/4, ZP
22	1	6150-203	BIFOLD MARKER ARM W.A.
23	3	2533-110	1/4-28 ZERK STRAIGHT SELF-TAP
24	2	2565-801	MARKER WARNING DECAL
25	1	6001-347	LINK PIN ZP
26	1	6150-294	BI-FOLD BREAKAWAY PIVOT W.A.
27	1	2520-515	3/4-10 LOCK HEX NUT ZP
28	1	2502-406	3/4-10 X 4-1/2 HHCS GR 5 ZP
29	1	2520-205	5/16-18 LOCK HEX NUT ZP
30	1	2502-223	5/16-18 X 4 HHCS GR 2 ZP
31	1	6150-202	PIVOT TUBE, 15-20 & 30-35
32	2	2565-800	MARKER DANGER DECAL
33	2	2503-379	5/8-11 X 1 SQ HCPSS GR 5 ZP
34	1	6001-483	BI-FOLD SLIDE TUBE
35	1	6001-481	CLAMP PLATE
36	1	6001-270	TRI-FOLD MARKER DISC BRKT W.A.
36	2	2505-348	1/2-13 X 3 1/2 CAR BLT GR 5 ZYD

1304-1

PARTS IDENTIFICATION



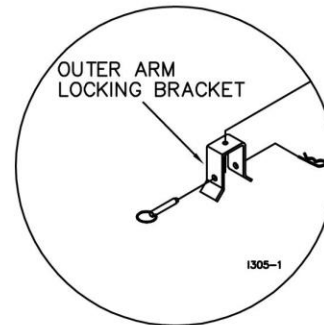
I305

6150-111 - STANDARD WITH
6001-031 & 6150-162 MOUNTING KIT

PARTS IDENTIFICATION

TRI-FOLD MARKER 24-35' DRILLS

KEY	QTY	PART NO.	DESCRIPTION
1	1	6150-206	TRI-FOLD MARKER ARM REST
2	2	2502-317	1/2"-13 X 1-3/4" HHCS GR.5
3	1	6150-236	TRI-FOLD MARKER BASE
4	4	2525-352	1/2" LOCKWASHER
5	4	2520-352	1/2" HEX NUT
6	1	6150-145	3" CYLINDER ASSEMBLY 24'&30'
	1	6150-146	3-1/2" CYLINDER ASSEMBLY 35'
7	1	2515-172	CYLINDER CLEVIS PIN
8	2	2570-465	7 GA. HAIRPIN COTTER
9	2	2565-058	YETTER FARM EQUIPMENT 3-7/16"X10-5/16"
10	1	2565-806	DECAL, 3" CYLINDER SEAL KIT 24'&30'
	1	2565-810	DECAL, 3 1/2" CYLINDER SEAL KIT 35'
11	1	2565-071	PATENT PENDING DECAL
12	1	6150-292	CONNECTING LINK W.A.
13	1	6150-450	3-1/8" PIN ZYD
14	6	2527-564	BUSHING 1" ID X1-1/2"OD X14GA
15	6	2531-125	1/4" X 1-3/4" COTTER PIN
16	2	6150-215	MARKER ARM PIN
17	2	2530-212	3/8" X 2" ROLL PIN
18	1	6100-333	MARKER ARM PIN, 9-3/4"
19	1	6150-207	TRI-FOLD MARKER ARM
	3	2533-110	1/4"-28 ZERK STRAIGHT SELF-TAP
20	2	2565-801	MARKER WARNING DECAL
21	5	2530-152	1/4" X 1-1/2" ROLL PIN
22	1	6150-217	TRI-FOLD PIPE PIN
23	1	6001-347	LINK PIN
24	2	2565-800	MARKER DANGER DECAL
25	1	6150-219	24' MID-ARM
	1	6150-212	30' MID-ARM
	1	6150-224	35' MID-ARM
26	1	1300-507	RUBBER FOOT
27	1	6150-220	24' MID-ARM PIPE
	1	6150-208	30' MID-ARM PIPE
	1	6150-225	35' MID-ARM PIPE
28	1	2520-544	7/8"-9 HEX NUT
29	1	6150-213	PIPE ADJUST
30	1	6150-222	SMALL FOLDING LINK
31	1	6150-223	LARGE FOLDING LINK
32	1	6150-320	SMALL FOLDING LINK
33	1	6150-322	LARGE FOLDING LINK ZP
34	1	6150-249	TRI-FOLD BREAKAWAY
35	1	6150-216	TRI-FOLD BREAKAWAY PIN
36	1	2520-515	3/4-10 LOCK HEX NUT ZP
37	1	2502-406	3/4"-10 X 4-1/2" HHCS GR 5
38	1	2520-205	5/16"-18 LOCK HEX NUT
39	1	2502-224	5/16"-18 X 4" HHCS GR 5
40	1	6150-247	PIVOT TUBE 24'
	1	6150-202	PIVOT TUBE, 15'-20' & 30'-35'
41	2	2503-379	5/8"-11 X 1" SQ. HCPSS GR 5
42	1	6150-402	TRI-FOLD SLIDE TUBE
	1	6150-401	35' TRI-FOLD SLIDE TUBE
43	1	2520-251	3/8"-16 HEX NUT
44	1	2525-251	3/8" LOCKWASHER
45	1	6150-385	OUTER ARM LOCK BRACKET
46	1	2984-320	PIN
47	1	2570-448	HAIRPIN COTTER
48	1	6001-481	CLAMP PLATE
49	1	6001-270	DISC BRACKET
50	2	2505-348	1/2"-13 X 3-1/2" CARRIAGE BOLT GR 5



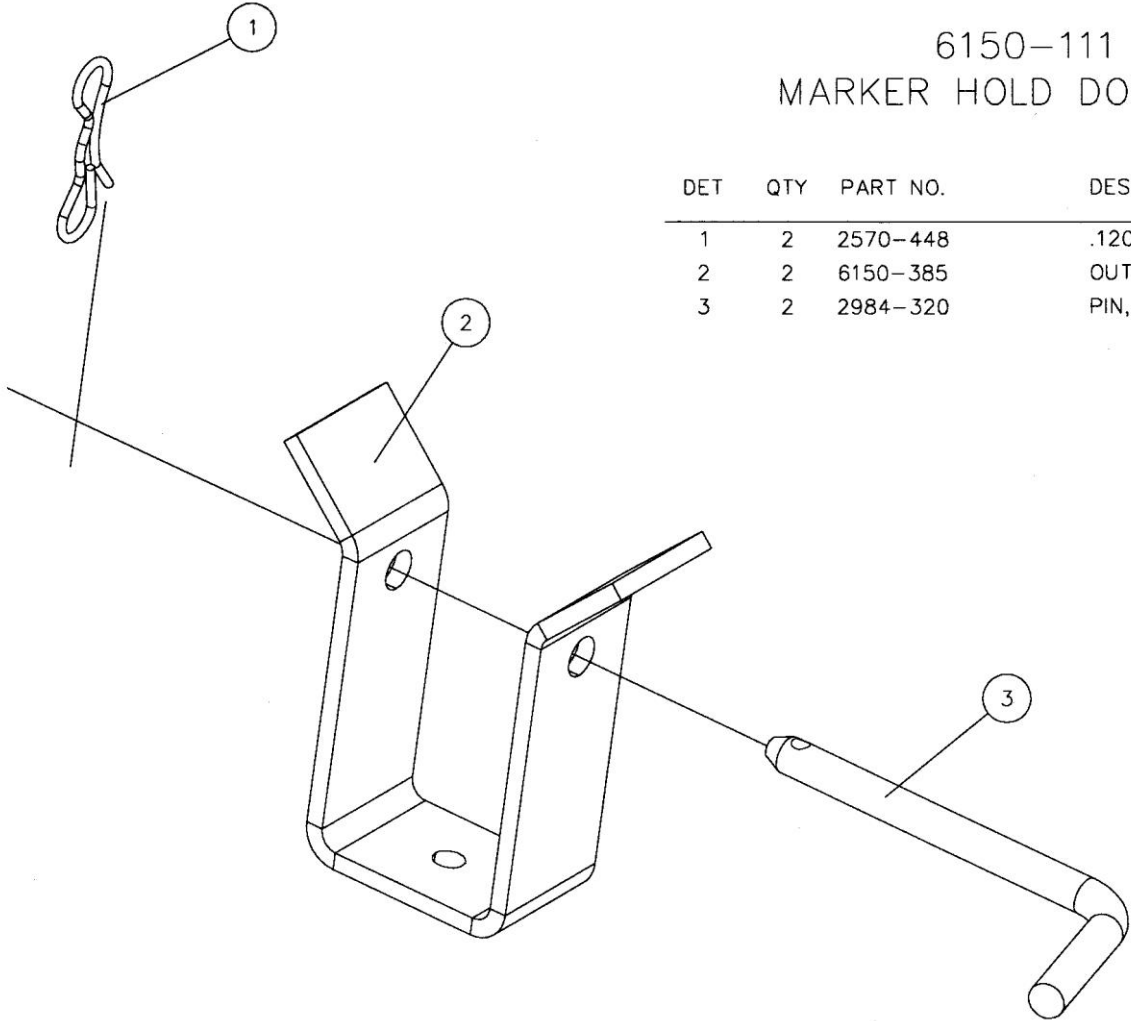
6150-111 - STANDARD WITH
6001-031 & 6150-162 MOUNTING KITS

TROUBLESHOOTING

Problem	Cause	Solution
Markers do not function correctly	Markers raise and lower voluntarily	<p>Check tractor hydraulic system</p> <p>Check hydraulic hose couplings</p> <p>Purge air from hydraulic system see Installation: hydraulic hoses</p> <p>Hydraulic cylinder failure, repair as necessary</p> <p>Check sequence valve for dirt or damage.</p>
Marker blade does not leave good enough mark	Blade not moving sufficient dirt	<p>Adjust angle of blade to be more aggressive.</p> <p>Use notched marker blade, 6001-495. (6001-610 w/depth band assembly.)</p> <p>Reverse blades on hubs to push dirt out.</p>
Both markers activate at same time	Sequence valve not operating	<p>Air in hydraulic lines</p> <p>Check for dirt in spool or replace sequence valve</p>
Marker blade digging too much dirt	Blade set at incorrect angle	Adjust angle of blade to be less aggressive
Tri-fold marker will not raise from operating position	Not enough hydraulic pressure	<p>Check and repair tractor hydraulic pump (2400 PSI minimum)</p> <p>Replace hydraulic cylinder with $\frac{1}{2}$" larger diameter cylinder. Example: replace a 3" x 8" cylinder with a 3-1/2" x 8" cylinder</p>

PARTS IDENTIFICATION

6150-111 MARKER HOLD DOWN KIT



DET	QTY	PART NO.	DESCRIPTION
1	2	2570-448	.120 BOWTIE LOCKING COTTER
2	2	6150-385	OUTER ARM LOCK BRKT
3	2	2984-320	PIN, SKID ADJUSTMENT ZYD



A Tradition of Solutions since 1930

Yetter Farm Equipment Co

PO BOX 358 109 S. McDonough

Colchester, IL 62326-0358

Phone: 309-776-4111

Toll Free: 800-447-5777

Email: info@yetterco.com

For updated models and manuals visit the Yetter website:

www.yetterco.com

© Yetter Farm Equipment Co. All Rights Reserved