

Yetter

FARM EQUIPMENT

5500 SERIES COVER CROP DEVASTATOR

5500-001B 48"

5500-002B 60"

5500-003B 90"

OWNER'S MANUAL
PART IDENTIFICATION
2565-976_REV_D • 02/2025



YETTER MANUFACTURING CO.

Founded 1930

Colchester, IL 62326

Toll free: (800)447-5777.

Fax: (309)776-3222

Website: yetterco.com

E-mail: info@yetterco.com

YETTER



FOREWORD

You've just joined an exclusive but rapidly growing club.

For our part, we want to welcome you to the group and thank you for buying a Yetter product.

We hope your new Yetter products will help you achieve both goals-increase your productivity and increase your efficiency so that you may generate more profit.

This operator's manual has been designed into four major sections: Foreword, Safety Precautions, Installation Instructions and Parts Breakdown.

This **SAFETY ALERT SYMBOL** indicates important safety messages in the manual. When you see this symbol, be alert to the possibility of **PERSONAL INJURY** and carefully read the message that follows.



DANGER: Indicates an imminently hazardous situation which, if not avoided "will" result in death or serious injury. This signal word is to be limited to the most extreme situations



WARNING: Indicates a potentially hazardous situation which, if not avoided, "could" result in death or serious injury.



CAUTION: Indicates a potentially hazardous situation, which if not avoided, "may" result in minor or moderate injury. It may also be used to alert against unsafe practices.



NOTICE: Indicates information considered important, but not hazard related (e.g., messages relating to property damage).

It is the responsibility of the user to read the operator's manual and comply with the safe and correct operating procedure and to lubricate and maintain the product according to the maintenance schedule in the operator's manual. The user is responsible for inspecting his machine and for having parts repaired or replaced when continued use of the product would cause damage or excessive wear to the other parts.

It is the user's responsibility to deliver his machine to the Yetter dealer who sold him the product for service or replacement of defective parts, which are covered by the warranty policy.

If you are unable to understand or follow the instructions provided in this publication, consult your local Yetter dealer or contact:

YETTER MANUFACTURING CO.

309/776-4111

800/447-5777

309/776-3222 (FAX)

Website: www.yetterco.com

E-mail: info@yetterco.com

WARRANTY POLICY

Yetter Manufacturing warrants all products manufactured and sold by it against defects in material. This warranty being expressly limited to replacement at the factory of such parts or products as will appear to be defective after inspection. This warranty does not obligate the Company to bear cost of labor in replacement of parts. It is the policy of the company to make improvements without incurring obligations to add them to any unit already sold. No warranty is made or authorized to be made, other than herein set forth. This warranty is in effect for one year after purchase.

Dealer : _____

Yetter Manufacturing warrants its own products only and cannot be responsible for damage to equipment on which mounted.



SAFETY PRECAUTIONS

A brief description of signal words that may be used in this manual:

DANGER: Indicates an imminently hazardous situation which, if not avoided “will” result in death or serious injury. This signal word is to be limited to the most extreme situations.

WARNING: Indicates a potentially hazardous situation which, if not avoided, “could” result in death or serious injury.

CAUTION: Indicates a potentially hazardous situation, which if not avoided, “may” result in minor or moderate injury. It may also be used to alert against unsafe practices.

NOTICE: Indicates information considered important, but not hazard related (e.g., messages relating to property damage).

Consult your implement and tractor operator’s manual for correct and safe operating practices. Be aware of towed implement width and allow safe clearance.

Safety decals are placed on the implement to alert the operator and others to the risk of personal injury or unsafe operation during normal operations and servicing.

1. The safety decals must be kept clean and in good condition to ensure that they are legible.
2. Safety decals must be replaced if they are missing or illegible.
3. When components are replaced during repair or servicing, check that the new components include the necessary safety signs.
4. Replacement safety decals may be obtained from your local dealer.



WARNING

Read these instructions carefully to acquaint yourself with the Equipment. Working with unfamiliar equipment can lead to accidents.

Never park the equipment on a steep incline or leave the equipment running unattended.

Never clean, lubricate or adjust a machine that is in motion.

Always check that straps are secure.

Make sure latches are in pinned position when moving equipment.

Do not allow children to operate this equipment.

Do not allow riders on the equipment, trailer and/or pick-up.

Use speed and caution dictated by the terrain being traversed. Do not operate on any slope steep enough to cause tipping or loss of control.

Read and understand the operator’s manual and require all other persons who will operate the equipment to do the same.

If operating on public roadways, where legal, be certain all lighting is operating properly and observe all traffic laws.

Beware of increased stopping distances and control effort when operating with implements attached.

Be familiar with all controls and be prepared to stop equipment quickly in an emergency.

FAILURE TO HEED MAY RESULT IN PERSONAL INJURY OR DEATH.

TABLE OF CONTENTS

FOREWARD..... 2
 WARRANTY..... 2
 SAFETY INFORMATION..... 2-3
 TORQUE..... 4
 ASSEMBLY INSTRUCTIONS..... 5 – 6
 MAINTENANCE / LOCK UP.....7
 PART IDENTIFICATION.....9 - 13

BOLT TORQUE





Important: Over-tightening hardware can cause just as much damage as under-tightening. Tightening hardware beyond the recommended range can reduce its shock load capacity.





All hardware on the 5500 Cover Crop Devastator is either Grade 5 or Grade 8, unless otherwise noted. Grade 5 cap screws are marked with three radial lines on the head. Grade 8 cap screws are marked with six radial lines on the head. If hardware must be replaced, be sure to replace it with hardware of equal size, strength and thread type. Refer to the torque values chart when tightening hardware.

The chart below is a guide for proper torque. Use it unless a specified torque is called out elsewhere in the manual. Torque is the force applied to the end of the handle or cheater bar, times the length of the handle or bar.

Use a torque wrench wherever possible

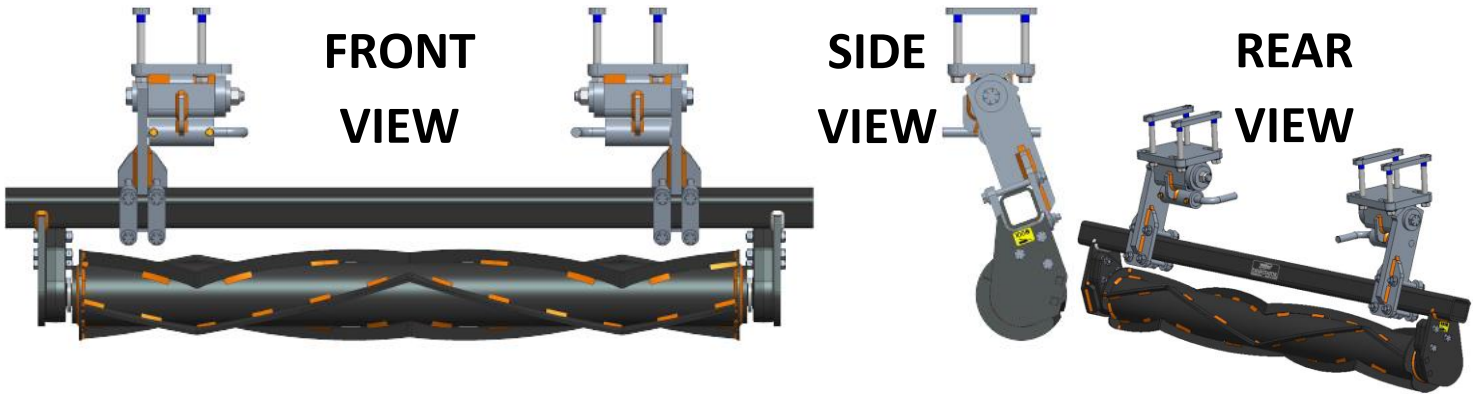
The following table shows torque in ft.-lbs. for coarse thread hardware.

Bolt Diameter and Threads per Inch	 Grade 2	 Grade 5	 A-325	 Grade 8
1/4	6	10		14
5/16	12	20		30
3/8 -16	25	35		50
7/16 - 14	35	55		80
1/2 - 13	55	85		125
9/16 - 12	75	125		175
5/8 - 11	105	170		235
3/4-10	185	305		425
7/8 - 9	170	445		690
1-8	260	670		1030
1 1/8 - 7	365	900		1460
1 1/4 - 7	515	1275		2060
1 3/8 -6	675	1675		2700
1 1/2 - 6	900	2150		3500
1 3/4 - 5	1410	3500		5600

Bolt Diameter	 4.6	 8.8	 10.9	 12.9
	4.6	8.8	10.9	12.9
M4	0.9	2.3	3.2	3.8
M5	1.8	4.5	6.5	7.6
M6	3.0	7.7	11.1	13.0
M7	5.0	13.0	18.5	21.7
M8	7.3	18.8	26.9	31.4
M10	14.4	37.2	53.2	62.2
M12	25.2	64.9	92.8	108.5
M14	40.2	103.7	148.4	173.4
M16	62	161	230	269
M18	86	222	318	372
M20	122	314	449	525
M22	166	428	613	716
M24	211	543	777	908
M27	309	796	1139	1331

ASSEMBLY INSTRUCTIONS

NOTE: SEE PAGE 12 & 13 FOR PLANTER/TOOLBAR MOUNT BRACKET ASSEMBLY.
MODIFICATIONS TO MOUNTING BRACKETS MAY BE REQUIRED IN CERTAIN SITUATIONS!

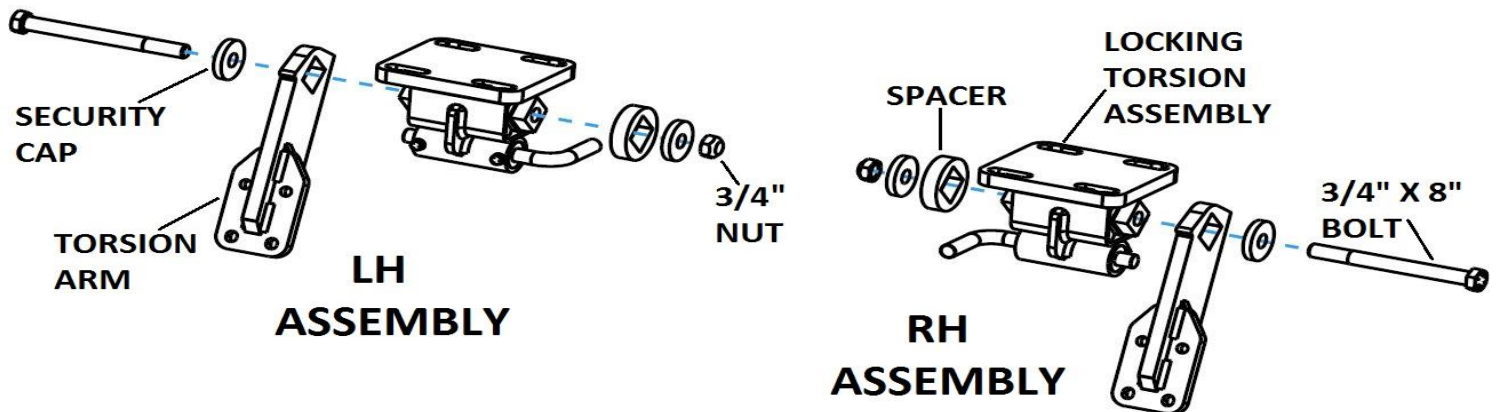


Step 1: Attach the 5000-187 torsion mount bracket to the frame using 4) M16 X 110 flange head bolts & 2) 5000-420 clamp straps. Thread the bolts into the clamp straps by hand & tighten to torque specifications.

Note: Torque the M16 bolts @ 236 ft. /lbs.



Step 2: Install 5000-292 Torsion Arm onto the Torsion Pivot Assembly & secure with 3/4" x 8" bolts & 3/4" lock nuts.



ASSEMBLY INSTRUCTIONS

Step 3: Attach the roller mount to the pivot arms using the ½" x 4-1/2" Gr8 bolts & lock nuts. **Draw the nuts down evenly when tightening.**

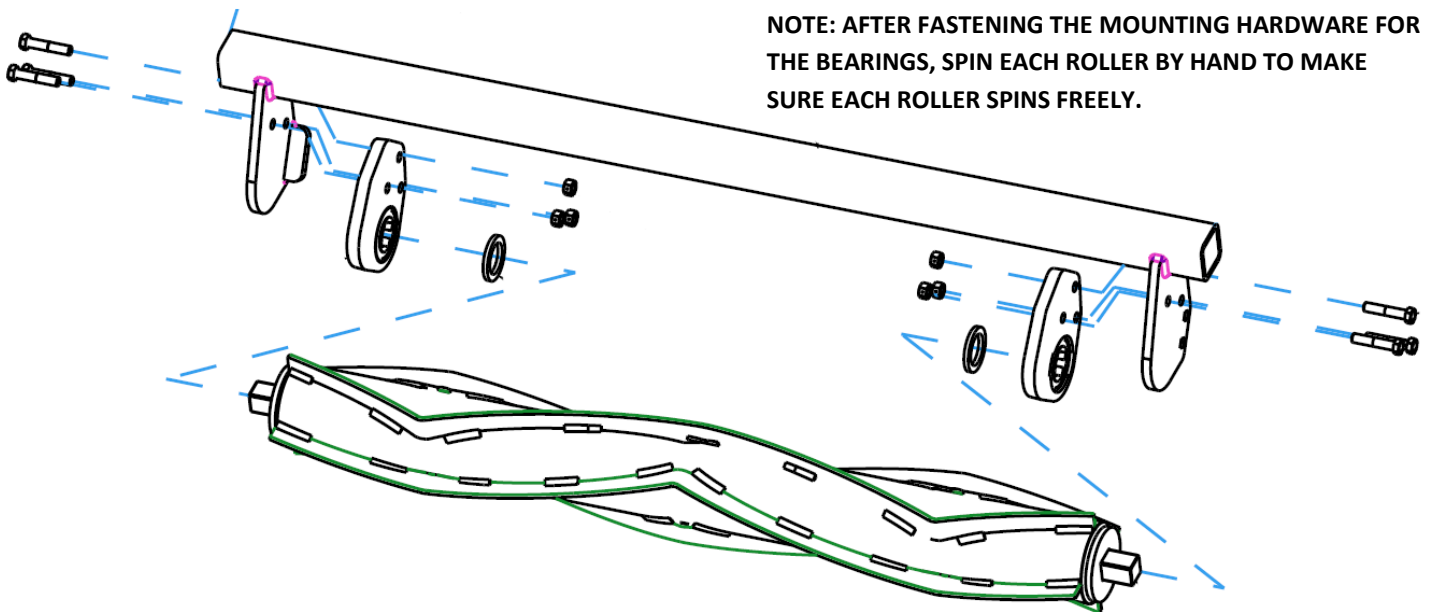
NOTE: The bearing support tab on the roller mount tube should be on the backside of the bearing mount plate.



Step 4: Install the roller, shim washer, & bearings to roller tube using ½" x 2-1/2" bolts & locknuts.

IMPORTANT: The shim washer must be installed between the roller & bearing. The notches of the bearing housing must face the mounting plate. The extended race on the bearing will face toward the roller.

NOTE: AFTER FASTENING THE MOUNTING HARDWARE FOR THE BEARINGS, SPIN EACH ROLLER BY HAND TO MAKE SURE EACH ROLLER SPINS FREELY.



BEARING REPLACEMENT / MAINTENANCE

Put bearing housing in a vice, use a pry bar to turn bearing in the housing parallel with the slots, remove old bearing, apply anti-seize lubricant to the interior of the bearing housing, insert the new bearing in the slots, & use a pry bar to move back to position. Wobble bearing around to help work the lubricant into the outer race of the bearing.

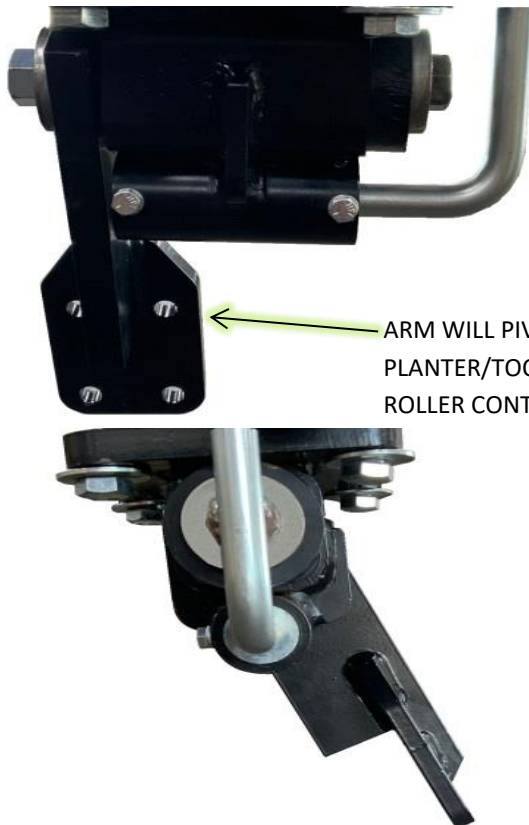
Anti-seize needs to be applied each year to the bearings to allow them wobble/pivot freely to extend service life.



LOCK UP

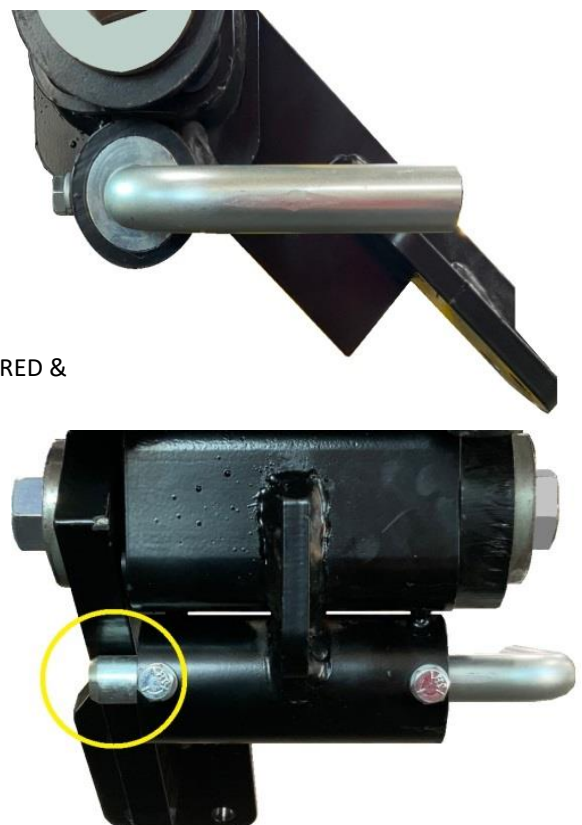
To "lock up" Devastator rollers, lower planter down & rotate locking handle 90 degrees. If handle is vertical, the devastator will be in operation mode. If the handle is horizontal & is in front of the pivot arm (see yellow circle below), the devastator is locked up. On torsion style devastators without the lock up feature, a 5000-430 Lock Pin can be ordered separately to lock up devastator rollers.

Operating Position



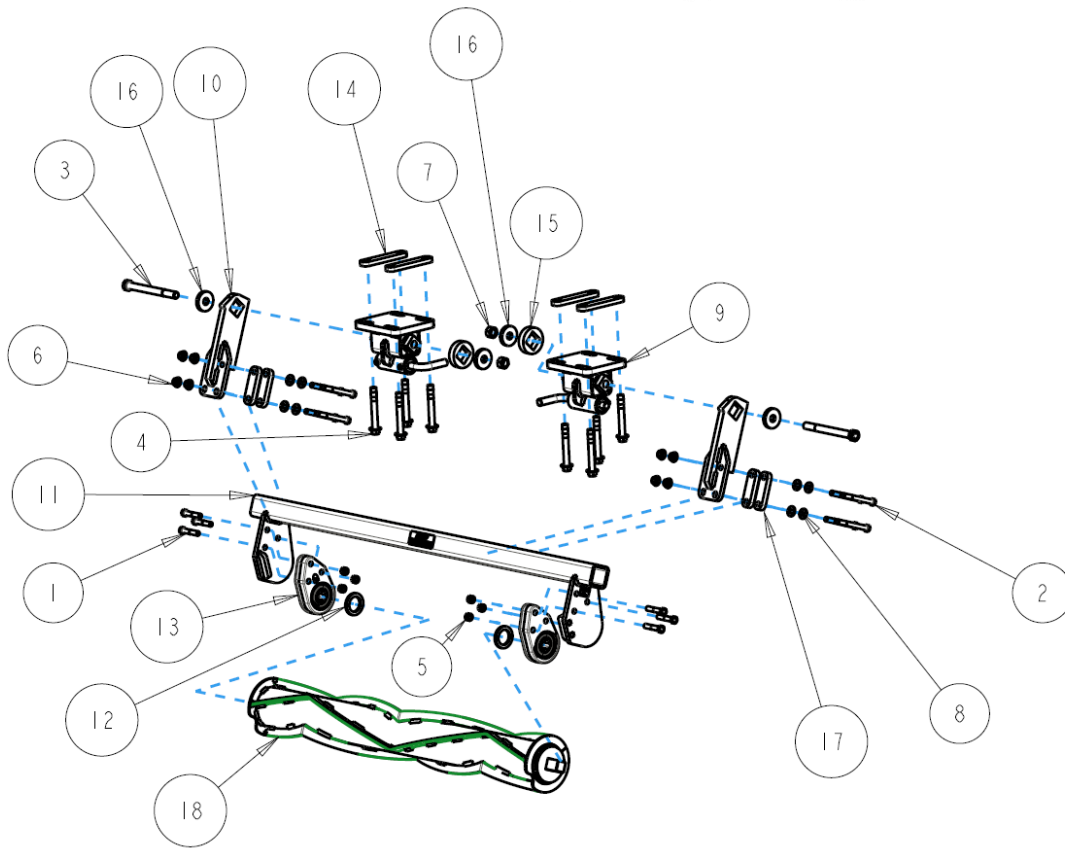
ARM WILL PIVOT BACK AS
PLANTER/TOOLBAR IS LOWERED &
ROLLER CONTACTS GROUND

Locked Up Position



5500-001D PARTS IDENTIFICATION

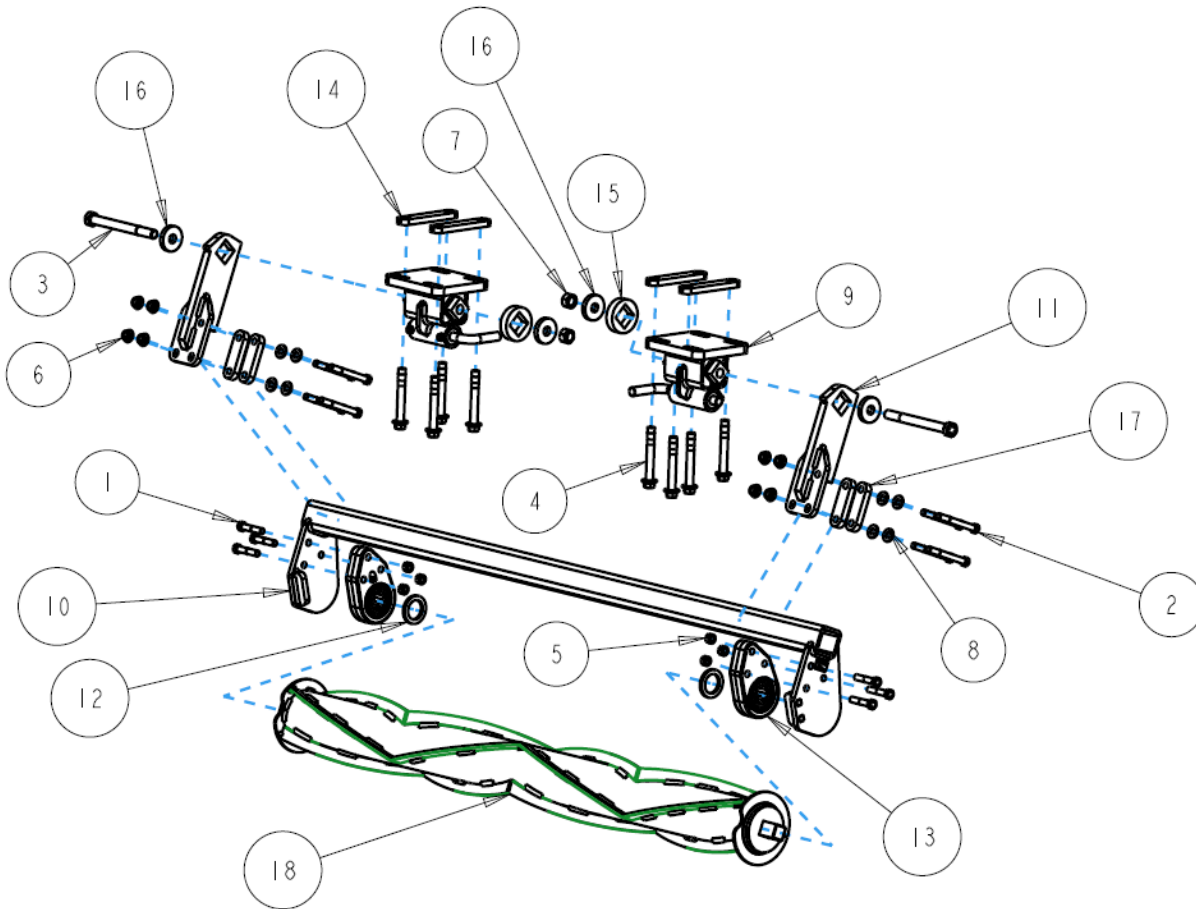
48 INCH COVER CROP ROLLER KIT



ITEM	PART NO.	DESCRIPTION	QTY
1	2502-353	1/2-13 X 2 1/2 HHCS GR8 ZP	6
2	2502-361	1/2-13 X 4-1/2 HHCS GR8 ZP	8
3	2502-430	3/4-10 X 8 HHCS GR8, ZP	2
4	2502-805	M16 X 2 X 120 HEX FLANGE SCREW, THREADLOCK, ZP	8
5	2520-358	1/2-13 REVERSIBLE LOCK HEX NUT GR C, ZP	6
6	2520-368	1/2-13 HEX FLANGE NUT, PREVAIL_TORQUE, GR C, ZP	8
7	2520-604	3/4-10 HEX TOP LOCK, GR. C, ZP	2
8	2526-355	1/2 FLAT WASHER HARD'ND ZP	8
9	5000-187	LOCKING TORSION ASSEMBLY	2
10	5000-2012	TORSION ARM W.A.	2
11	5000-255	ROLLER MOUNT W.A. ,	1
12	5000-322	SHIM WASHER ZP	2
13	5000-355	BEARING ASSEMBLY	2
14	5000-420	4" CLAMP STRAP, TAPPED	4
15	5000-468	SPACER	2
16	5000-469	SECURITY CAP	4
17	5000-515	CLAMP PLATE	4
18	5500-205	48" CC ROLLER W.A. (2022)	1

5500-002D PARTS IDENTIFICATION

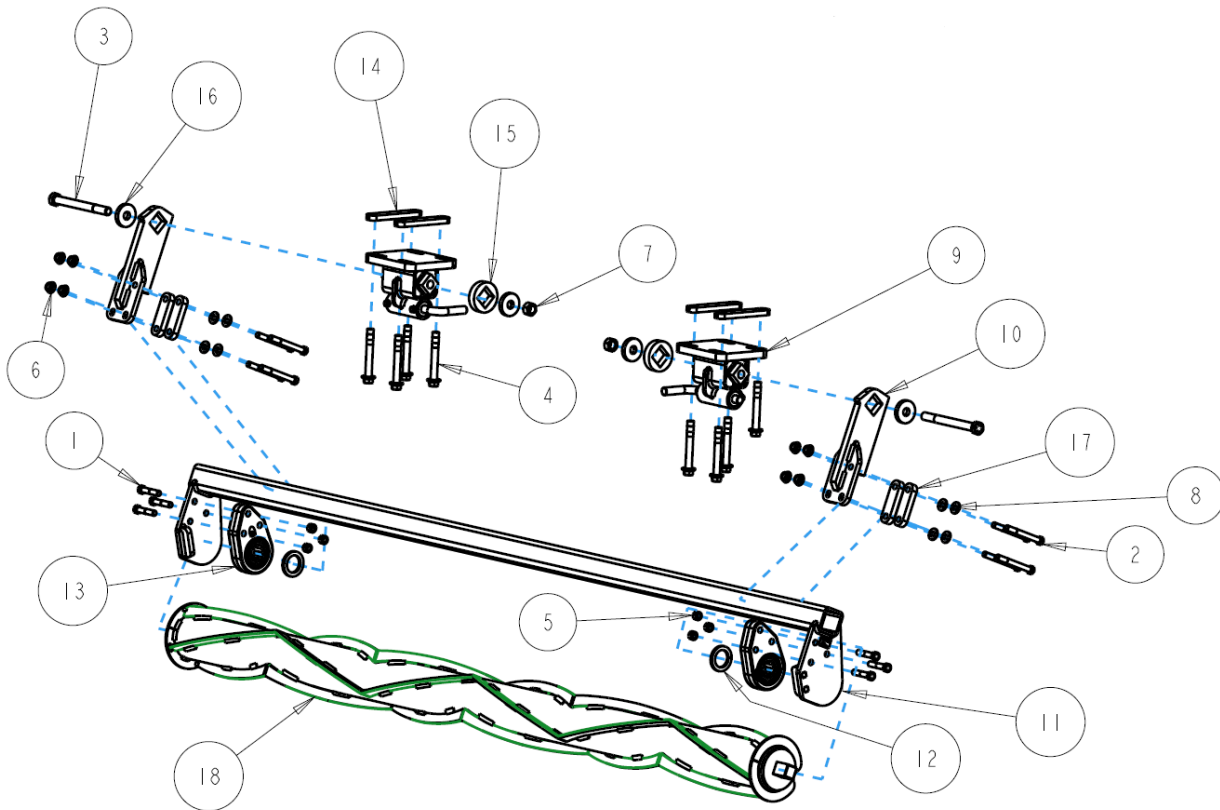
60 INCH COVER CROP ROLLER KIT



ITEM	PART NO.	DESCRIPTION	QTY
1	2502-353	1/2-13 X 2 1/2 HHCS GR8 ZP	6
2	2502-361	1/2-13 X 4-1/2 HHCS GR8 ZP	8
3	2502-430	3/4-10 X 8 HHCS GR8, ZP	2
4	2502-805	M16 X 2 X 120 HEX FLANGE SCREW, THREADLOCK, ZP	8
5	2520-358	1/2-13 REVERSIBLE LOCK HEX NUT GR C, ZP	6
6	2520-368	1/2-13 HEX FLANGE NUT, PREVAIL_TORQUE, GR C, ZP	8
7	2520-604	3/4-10 HEX TOP LOCK, GR. C, ZP	2
8	2526-355	1/2 FLAT WASHER HARD'ND ZP	8
9	5000-187	LOCKING TORSION ASSEMBLY	2
10	5000-2000	60" ROLLER MOUNT W.A.	1
11	5000-2012	TORSION ARM W.A.	2
12	5000-322	SHIM WASHER ZP	2
13	5000-355	BEARING ASSEMBLY	2
14	5000-420	4" CLAMP STRAP, TAPPED	4
15	5000-468	SPACER	2
16	5000-469	SECURITY CAP	4
17	5000-515	CLAMP PLATE	4
18	5500-206	60" CC ROLLER W.A. (2022)	1

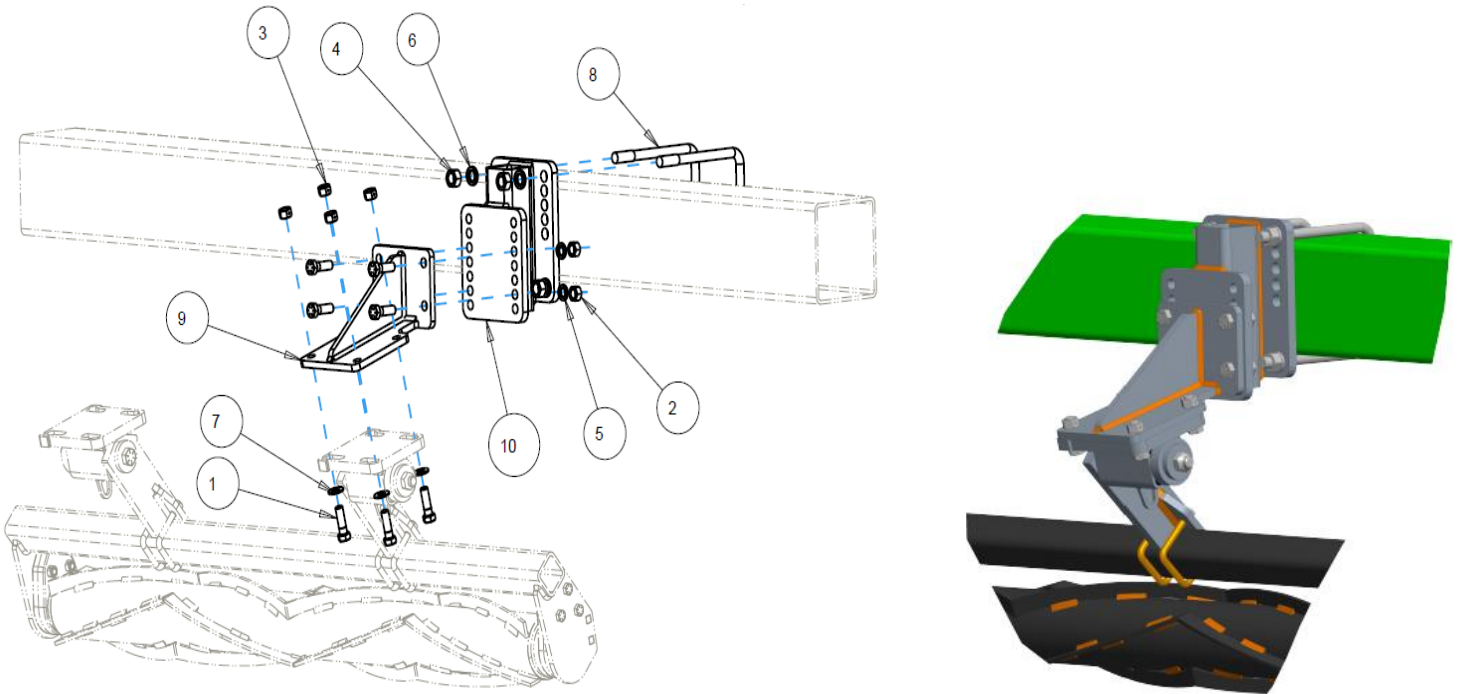
5500-003D PARTS IDENTIFICATION

90 INCH COVER CROP ROLLER KIT



ITEM	PART NO.	DESCRIPTION	QTY
1	2502-353	1/2-13 X 2 1/2 HHCS GR8 ZP	6
2	2502-361	1/2-13 X 4-1/2 HHCS GR8 ZP	8
3	2502-430	3/4-10 X 8 HHCS GR8, ZP	2
4	2502-805	M16 X 2 X 120 HEX FLANGE SCREW, THREADLOCK, ZP	8
5	2520-358	1/2-13 REVERSIBLE LOCK HEX NUT GR C, ZP	6
6	2520-368	1/2-13 HEX FLANGE NUT, PREVAIL_TORQUE, GR C, ZP	8
7	2520-604	3/4-10 HEX TOP LOCK, GR. C, ZP	2
8	2526-355	1/2 FLAT WASHER HARD'ND ZP	8
9	5000-187	LOCKING TORSION ASSEMBLY	2
10	5000-2012	TORSION ARM W.A.	2
11	5000-299	90" ROLLER MOUNT W.A.	1
12	5000-322	SHIM WASHER ZP	2
13	5000-355	BEARING ASSEMBLY	2
14	5000-420	4" CLAMP STRAP, TAPPED	4
15	5000-468	SPACER	2
16	5000-469	SECURITY CAP	4
17	5000-515	CLAMP PLATE	4
18	5500-207	90" CC ROLLER W.A. (2022)	1

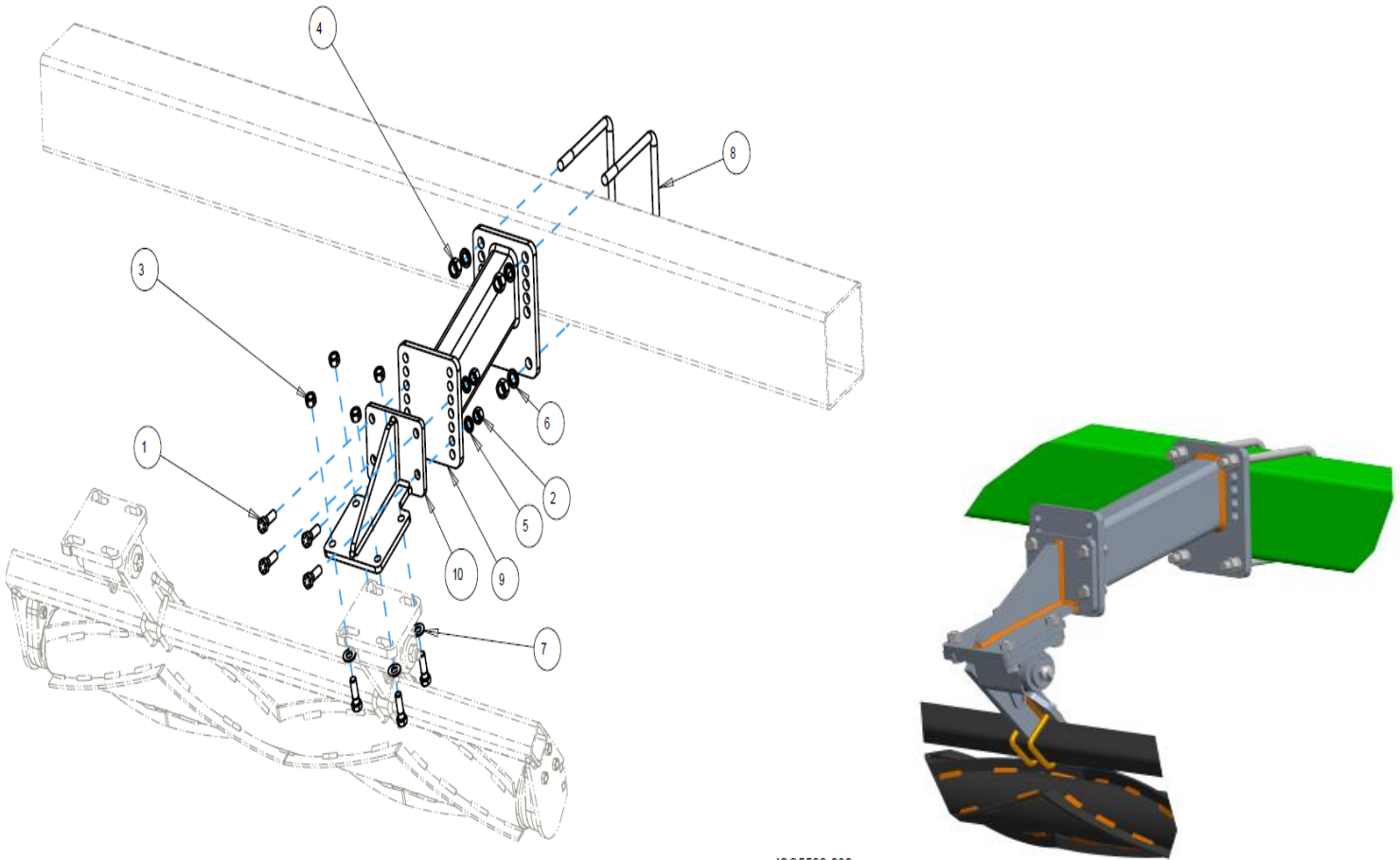
5500-031 PARTS IDENTIFICATION SHORT MOUNT KIT



ITEM	PART NO.	DESCRIPTION	QTY
1	2502-322	5/8-11 x 2 HHCS GR 8	8
2	2520-452	5/8-11 HEXNUT ZP	4
3	2520-459	5/8-11 LOCK HEX NUT, GR B, ZP	4
4	2520-506	3/4-10 HEX NUT, GR 8, ZP	4
5	2525-451	5/8 MED. LOCKWASHER ZP.	4
6	2525-501	3/4 MED. LOCKWASHER ZP.	4
7	2526-453	5/8 SAE FLATWASHER ZP	4
8	2570-478	3/4 X 7 X 9 U-BOLT, ZP	2
9	5500-201	ROLLER MAIN MOUNT W.A.	1
10	5500-202	FRAME MOUNT W.A., SHORT	1

5500-032 PARTS IDENTIFICATION

LONG MOUNT KIT

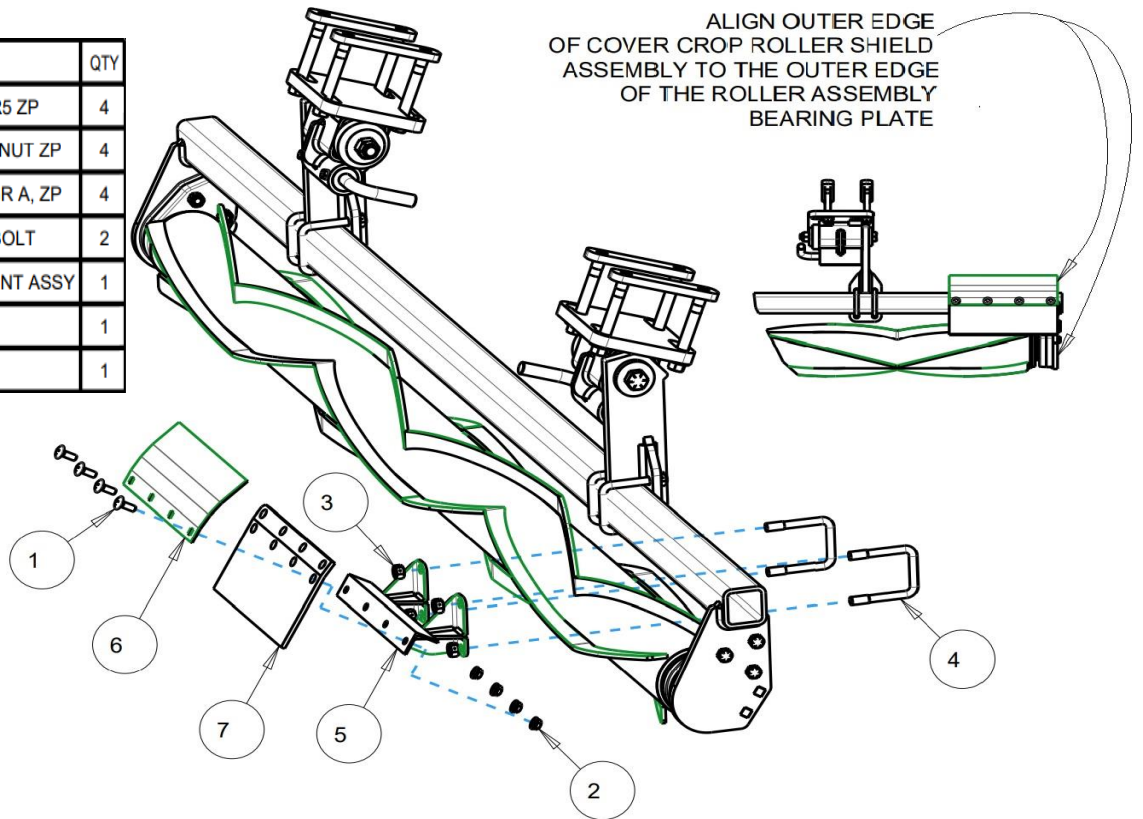


ISO5500-032

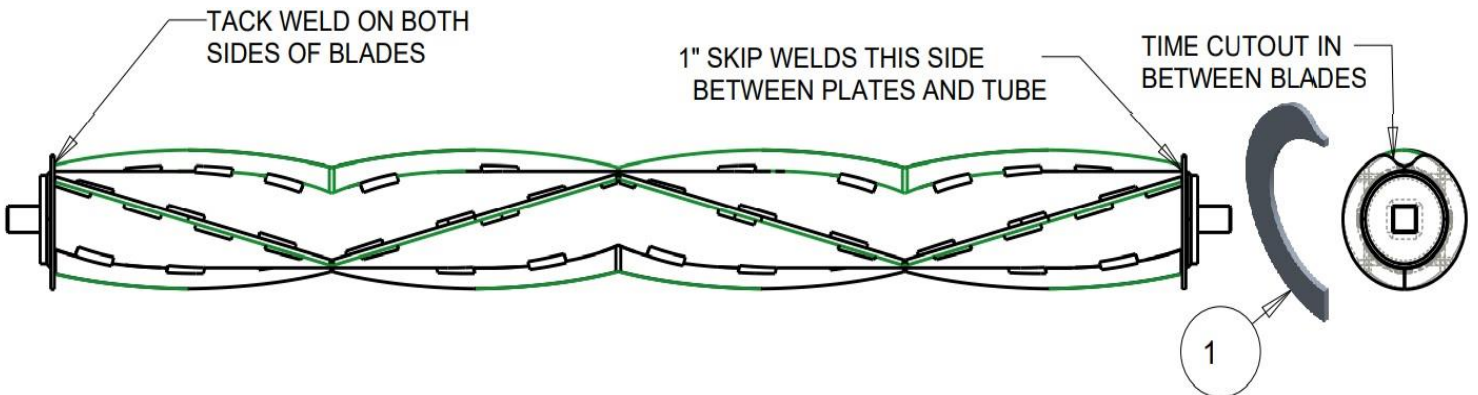
ITEM	PART NO.	DESCRIPTION	QTY
1	2502-322	5/8-11 x 2 HHCS GR 8	8
2	2520-452	5/8-11 HEXNUT ZP	4
3	2520-459	5/8-11 LOCK HEX NUT, GR B, ZP	4
4	2520-506	3/4-10 HEX NUT, GR 8, ZP	4
5	2525-451	5/8 MED. LOCKWASHER ZP.	4
6	2525-501	3/4 MED. LOCKWASHER ZP.	4
7	2526-453	5/8 SAE FLATWASHER ZP	4
8	2570-478	3/4 X 7 X 9 U-BOLT, ZP	2
9	5500-200	EXTENSION BRACKET W.A.	1
10	5500-201	ROLLER MAIN MOUNT W.A.	1

5500-102 PARTS IDENTIFICATION COVER CROP ROLLER SHIELD KIT

ITEM	PART NO.	DESCRIPTION	QTY
1	2505-260	3/8-16 X 1 CARBLT GR5 ZP	4
2	2520-258	3/8-16HEX FLANGE LCK NUT ZP	4
3	2520-357	1/2-13 LOCK HEX NUT, GR A, ZP	4
4	2570-568	1/2 X 2-1/2 X 3-1/2 U-BOLT	2
5	5500-208	ROLLER SHIELD WELDMENT ASSY	1
6	5500-314	SHIELD	1
7	5500-318	FLAP	1



5500-103 PARTS IDENTIFICATION



ITEM	PART NO.	DESCRIPTION	QTY
1	5500-313	COVER CROP ROLLER END PLATE	4

NOTES

NOTES



A Tradition of Solutions since 1930

Yetter Farm Equipment Co

PO BOX 358 109 S. McDonough

Colchester, IL 62326-0358

Phone: 309-776-4111

Toll Free: 800-447-5777

Email: info@yetterco.com

For updated models and manuals visit the Yetter website:

www.yetterco.com

© Yetter Farm Equipment Co. All Rights Reserved

2565-976_REV_D – 02/2025