



**4000 SERIES
NUTRIENT PRO FERTILIZER COULTER
OPERATOR'S / INSTALLATION INSTRUCTION MANUAL
W/ PARTS IDENTIFICATION
2565-952_REV_E • 08/2024**



YETTER MANUFACTURING CO.
FOUNDED 1930

Colchester, IL 62326-0358
Toll free: 800/447-5777
309/776-3222 (Fax)
Website: www.yetterco.com
E-mail: info@yetterco.com

YETTER


FOREWORD


You've just joined an exclusive but rapidly growing club.
For our part, we want to welcome you to the group and thank you for buying a Yetter product.


We hope your new Yetter products will help you achieve both goals-increase your productivity and increase your efficiency so that you may generate more profit.


This operator's manual has been designed into four major sections: Foreword, Safety Precautions, Installation Instructions and Parts Breakdown.

This **SAFETY ALERT SYMBOL** indicates important safety messages in the manual. When you see this symbol, be alert to the possibility of **PERSONAL INJURY** and carefully read the message that follows.

 **DANGER:** Indicates an imminently hazardous situation which, if not avoided "will" result in death or serious injury. This signal word is to be limited to the most extreme situations

 **WARNING:** Indicates a potentially hazardous situation which, if not avoided, "could" result in death or serious injury.

 **CAUTION:** Indicates a potentially hazardous situation, which if not avoided, "may" result in minor or moderate injury. It may also be used to alert against unsafe practices.

 **NOTICE:** Indicates information considered important, but not hazard related (e.g., messages relating to property damage).

It is the responsibility of the user to read the operator's manual and comply with the safe and correct operating procedure and to lubricate and maintain the product according to the maintenance schedule in the operator's manual.

The user is responsible for inspecting his machine and for having parts repaired or replaced when continued use of the product would cause damage or excessive wear to the other parts.

It is the user's responsibility to deliver his machine to the Yetter dealer who sold him the product for service or replacement of defective parts, which are covered by the warranty policy.

If you are unable to understand or follow the instructions provided in this publication, consult your local Yetter dealer or contact:

YETTER MANUFACTURING CO.

309/776-4111

800/447-5777

309/776-3222 (FAX)

Website: www.yetterco.com

E-mail: info@yetterco.com

WARRANTY

Yetter Manufacturing warrants all products manufactured and sold by it against defects in material. This warranty being expressly limited to replacement at the factory of such parts or products as shall appear to be defective after inspection. This warranty does not obligate the Company to bear cost of labor in replacement of parts. It is the policy of the Company to make improvements without incurring obligations to add them to any unit already sold. No warranty is made or authorized to be made, other than herein set forth. This warranty is in effect for one year after purchase.

DEALER: _____

Yetter Manufacturing warrants its own products only and cannot be responsible for damages to equipment on which mounted.



SAFETY PRECAUTIONS



A brief description of signal words that may be used in this manual:

DANGER: Indicates an imminently hazardous situation which, if not avoided “will” result in death or serious injury. This signal word is to be limited to the most extreme situations.

WARNING: Indicates a potentially hazardous situation which, if not avoided, “could” result in death or serious injury.

CAUTION: Indicates a potentially hazardous situation, which if not avoided, “may” result in minor or moderate injury. It may also be used to alert against unsafe practices.

NOTICE: Indicates information considered important, but not hazard related (e.g., messages relating to property damage).

Consult your implement and tractor operator’s manual for correct and safe operating practices. Be aware of towed implement width and allow safe clearance.

Safety decals are placed on the implement to alert the operator and others to the risk of personal injury or unsafe operation during normal operations and servicing.

1. The safety decals must be kept clean and in good condition to ensure that they are legible.
2. Safety decals must be replaced if they are missing or illegible.
3. When components are replaced during repair or servicing, check that the new components include the necessary safety signs.
4. Replacement safety decals may be obtained from your local dealer.



WARNING

Read these instructions carefully to acquaint yourself with the Equipment. Working with unfamiliar equipment can lead to accidents.

Never park the equipment on a steep incline or leave the equipment running unattended.

Never clean, lubricate or adjust a machine that is in motion.

Always check that straps are secure.

Make sure latches are in pinned position when moving equipment.

Do not allow children to operate this equipment.

Do not allow riders on the equipment, trailer and/or pick-up.

Use speed and caution dictated by the terrain being traversed. Do not operate on any slope steep enough to cause tipping or loss of control.

Read and understand the operator’s manual and require all other persons who will operate the equipment to do the same.

If operating on public roadways, where legal, be certain all lighting is operating properly and observe all traffic laws.

Beware of increased stopping distances and control effort when operating with implements attached.

Be familiar with all controls and be prepared to stop equipment quickly in an emergency.

FAILURE TO HEED MAY RESULT IN PERSONAL INJURY OR DEATH.



TABLE OF CONTENTS

FOREWORD.....	2
SAFETY.....	2-3
BOLT TORQUE.....	4
GENERAL INFORMATION.....	5 - 6
ASSEMBLY INSTRUCTIONS.....	7 - 16
OPERATION.....	17 - 18
MAINTENANCE.....	19 - 21
PARTS IDENTIFICATION.....	22 - 38
TROUBLESHOOTING/NOTES.....	39

BOLT TORQUE

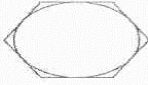
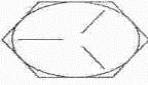
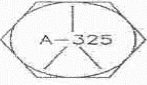
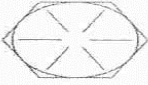


NOTICE:

Improperly tightened bolts will result in damage, breakage, expense, and down time.

2. Always replace bolts with the specified grade and type.
3. Torque properly before first use of the machine and every 2-4 hours of use until you are sure bolts are staying tight.
4. The chart below is a guide for proper torque. Use it unless a specified torque is called out elsewhere in the manual.
5. Torque is the force you apply to the wrench handle or the cheater bar, times the length of the handle or bar.
6. Use a torque wrench whenever possible.

The following table shows torque in ft. lbs.

BOLT DIA. AND THREADS PER INCH	 GRADE 2	 OR  GRADE 5 A-325	 GRADE 8
1/4	6	10	14
5/16	12	20	30
3/8 - 16	25	35	50
7/16 - 14	35	55	80
1/2 - 13	55	85	125
9/16 - 12	75	125	175
5/8 - 11	105	170	235
3/4 - 10	185	305	425
7/8 - 9	170	445	690
1-8	260	670	1030
1 1/8 - 7	365	900	1460
1 1/4 - 7	515	1275	2060
1 3/8 - 6	675	1675	2700
1 1/2 - 6	900	2150	3500
1 3/4 - 5	1410	3500	5600

GENERAL INFORMATION

PART NUMBERS/DESCRIPTIONS

COULTER ASSEMBLIES

PART #	DESCRIPTION
4000-001	18" RH NUTRIENT PRO COULTER DRY KNIFE
4000-002	18" LH NUTRIENT PRO COULTER DRY KNIFE
4000-003	18" RH NUTRIENT PRO COULTER LIQUID KNIFE
4000-004	18" LH NUTRIENT PRO COULTER LIQUID KNIFE
4000-005	20" RH NUTRIENT PRO COULTER DRY KNIFE
4000-006	20" LH NUTRIENT PRO COULTER DRY KNIFE
4000-007	20" RH NUTRIENT PRO COULTER LIQUID KNIFE
4000-008	20" LH NUTRIENT PRO COULTER LIQUID KNIFE
4000-140	18" RH COULTER, LESS KNIFE
4000-141	18" LH COULTER, LESS KNIFE
4000-142	20" RH COULTER, LESS KNIFE
4000-143	20" LH COULTER, LESS KNIFE

SHANKS

PART #	DESCRIPTION
4000-080	21" FLAT SHANK
4000-081	18" FLAT SHANK

BAR KIT

PART #	DESCRIPTION
4000-059	CASE 2150 – 4 ROW BAR KIT
4000-060	CASE 2150 – 12 ROW BAR KIT
4000-061	CASE 2150 – 16 ROW BAR KIT

CLAMP KIT (Includes U-bolts/hardware)

PART #	DESCRIPTION
4000-040	3 X 3 DIAMOND CLAMP KIT
4000-041	4 X 4 CLAMP KIT
4000-042	6 X 4 CLAMP KIT
4000-043	2 X 6 CLAMP KIT
4000-044	3 X 6 CLAMP KIT
4000-045	3 X 7 CLAMP KIT
4000-046	5 X 7 CLAMP KIT
4000-047	7 X 7 CLAMP KIT
4000-048	4 X 6 CLAMP KIT

OPTIONAL EQUIPMENT

PART #	DESCRIPTION
4000-020A-LH	NUTRIENT PRO TANDEM CLOSING SYSTEM, LH
4000-020A-RH	NUTRIENT PRO TANDEM CLOSING SYSTEM, RH
4000-070	RH NUTRIENT PRO DISC SEALER, LESS WHEEL
4000-071	LH NUTRIENT PRO DISC SEALER, LESS WHEEL
4000-101	COULTER SHIM (REDUCES ANGLE 2 DEGREES)
4000-260	RH ARM MOUNT (CNH 1250/1255 PLANTER MOUNT)
4000-261	LH ARM MOUNT (CNH 1250/1255 PLANTER MOUNT)

MISCELLANEOUS

PART NUMBER	DESCRIPTION
2571-101	.25 X 18.4" SINGLE BEVEL STRAIGHT BLADE
2571-102	.25 X 20" SINGLE BEVEL STRAIGHT BLADE
4000-157	3" X 16" GAUGE WHEEL, TRI-SPOKE
4000-230	DRY FERTILIZER KNIFE W.A., RH
4000-231	DRY FERTILIZER KNIFE W.A., LH
4000-232	LIQUID FERTILIZER KNIFE W.A., RH
4000-233	LIQUID FERTILIZER KNIFE W.A., LH
4000-363	3" X 13" GAUGE WHEEL
4000-370	RUBBER KNIFE SHIM
4000-417	DEPTH CONTROL PIN
4000-474	DEPTH CONTROL LOCK PIN (FOR COVER PLATE)

GENERAL INFORMATION

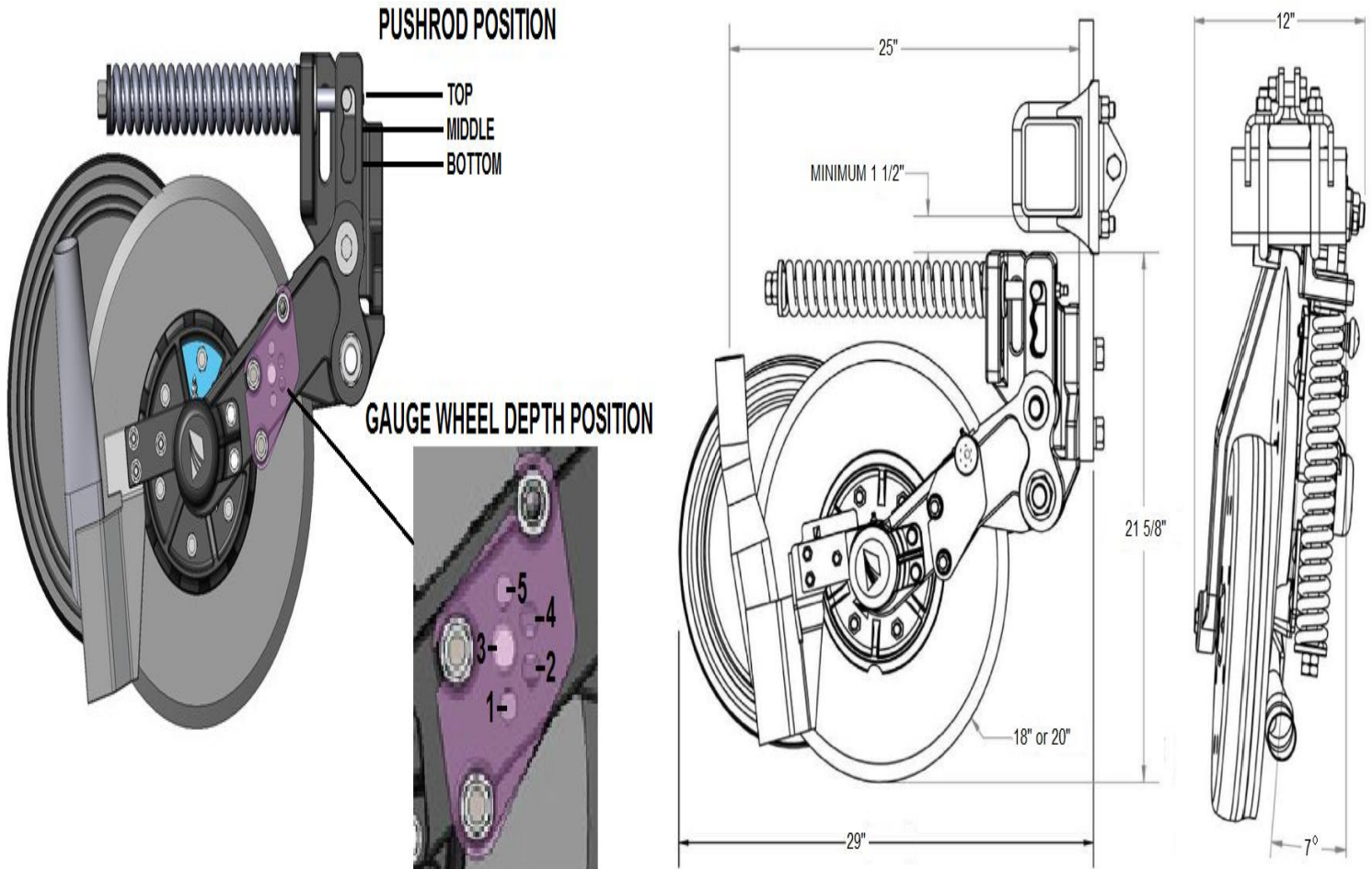
Examine all equipment carefully for shipping damage or shortages.

Right & left hand designations are based on sitting in the tractor & facing forward. When you are behind the coulters looking forward, the right hand coulters is assembled with the blade & gauge wheel to the right hand of the arm assembly. The left hand coulters is assembled with the blade & gauge wheel to the left hand of the arm assembly.

- Coulters travel is 5 5/8"
- Coulters angle is 7 degrees, a 2 degree shim can be used to reduce the coulters angle to 5 degrees
- Coulters down pressure range:

Coulters Travel→	1"	2"	3"	4"	5"	Pushrod Position
.844" Pushrod Exposed	598 lbs.	752 lbs.	901 lbs.	1033 lbs.	1180 lbs.	TOP
.750" Pushrod Exposed	541 lbs.	717 lbs.	866 lbs.	1006 lbs.	1154 lbs.	TOP
.844" Light Duty Spring	291 lbs.	380 lbs.	458 lbs.	522 lbs.	579 lbs.	TOP
.844" Pushrod Exposed	428 lbs.	520 lbs.	612 lbs.	692 lbs.	765 lbs.	MIDDLE
.750" Pushrod Exposed	394 lbs.	498 lbs.	590 lbs.	673 lbs.	759 lbs.	MIDDLE
.844" Light Duty Spring	224 lbs.	271 lbs.	317 lbs.	353 lbs.	388 lbs.	MIDDLE
.844" Pushrod Exposed	308 lbs.	351 lbs.	392 lbs.	429 lbs.	483 lbs.	BOTTOM
.750" Pushrod Exposed	284 lbs.	330 lbs.	372 lbs.	411 lbs.	549 lbs.	BOTTOM
.844" Light Duty Spring	161 lbs.	187 lbs.	210 lbs.	226 lbs.	239 lbs.	BOTTOM

- Gauge Wheel Depth Adjustments
 - 18" Blade – Position 1 = 1 1/2", Position 2 = 2 3/8", Position 3 = 3 1/4", Position 4 = 4 1/8", Position 5 = 5"
 - 20" Blade – Position 1 = 2 1/2", Position 2 = 3 3/8", Position 3 = 4 1/4", Position 4 = 5 1/8", Position 5 = 6"
- NOTE:** If using a 13" gauge wheel, gauge wheel depth position 4 and 5 are NOT to be used.



ASSEMBLY INSTRUCTIONS FOR CNH 1250/1255 PLANTERS (12 & 16 ROW)



WARNING: NEVER WORK UNDER THE EQUIPMENT WHILE IN A RAISED POSITION WITHOUT USING SAFETY LOCK UPS. FAILURE TO DO SO MAY LEAD TO PERSONAL INJURY OR DEATH.

STEP 1: Start by placing 2 U-bolts at each row, threads toward the ground, between the U-bolts used to mount that seed unit to the toolbar (see picture below labeled shim installation). Remove zip ties from planter hydraulic hoses, pneumatic tubing, electrical cables, and vacuum hoses if needed to make it easier to install the U-bolts. Some rows may require longer U-bolts. If a pneumatic tank is mounted to the toolbar, it may need repositioned.

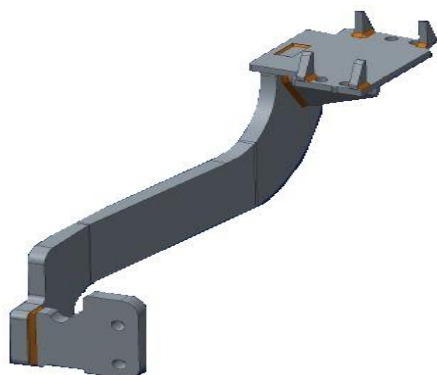
Each CNH mount, both LH & RH, will have an indicator arrow (see picture below labeled CNH MOUNT INDICATOR ARROW) which is the approximate location of where the slot will be to help achieve your desired spacing off the row.

STEP 2: Start at row 1, standing behind the planter, row 1 is the left most row. Install the 4000-261 LH CNH mount so that the left side of the mount is up against the left U-bolt that mounts the planter row unit to the toolbar. The left hand mount will extend forward with the 2 coulters mounting holes offset to the left (see pic below labeled 4000-261). Tighten the mount down using 5/8 lock washer, 5/8 hex nut, & an impact driver with a 15/16 socket. Install the LH coulters using 2) 3/4 X 2 bolts & 2) 3/4 lock washers. Tighten the coulters down with an impact using a 1 1/8 socket.

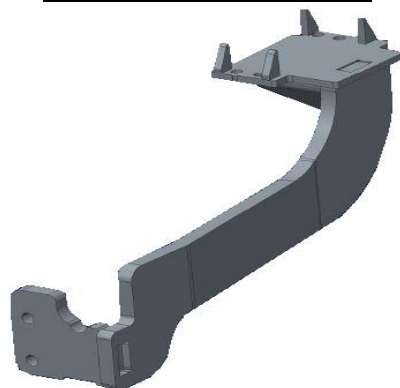
STEP 3: Next, install the 4000-260 RH CNH mount on the last row of the right wing. Install the RH CNH mount so that the right side of the mount is up against the right side of the U-bolt that mounts the planter row unit to the toolbar. The right hand mount will extend forward with 2 coulters mounting holes offset to the right (see pic below). Tighten the mount down using an impact driver with a 15/16 socket.

STEP 4: Fold the planter to ensure the 2 coulters units installed have clearance with each other. If interference occurs, loosen the 4000-260 or 4000-261 mounts to make the proper adjustment for clearance.

4000-261 LH CNH MOUNT



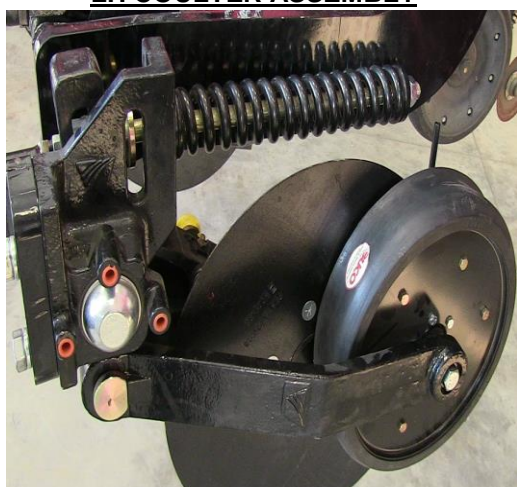
4000-260 RH CNH MOUNT



CNH MOUNT INDICATOR ARROW



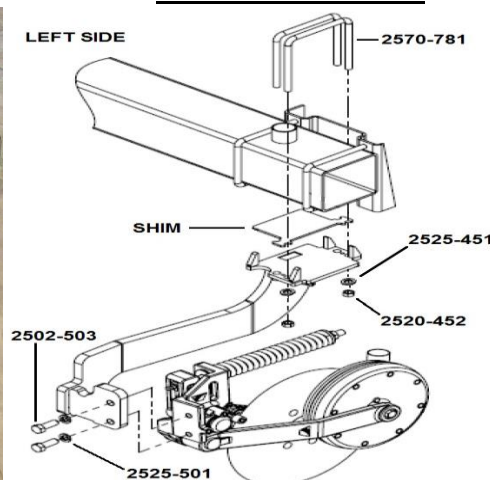
LH COULTER ASSEMBLY



RH COULTER ASSEMBLY



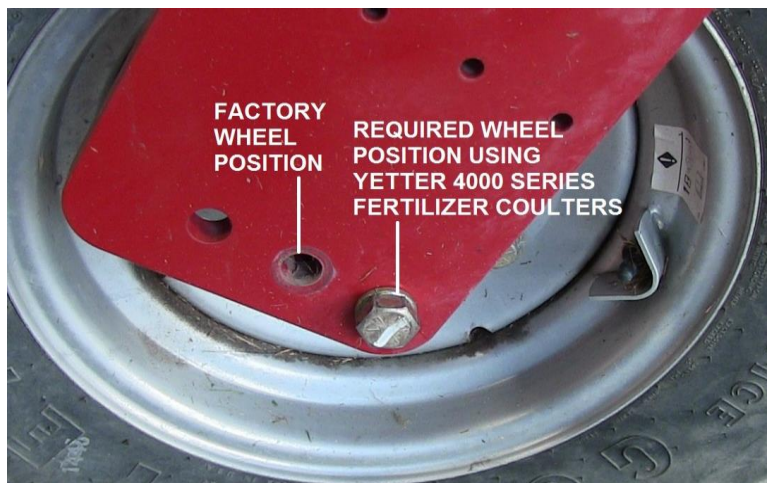
SHIM INSTALLATION



On 12 Row planters, the 4000-261 LH CNH MOUNT will be used on rows 1 – 6, the 4000-260 RH CNH MOUNT will be used on rows 7 – 12, & the shim will be used on row 4. On 16 row planters the 4000-261 mount will be used on rows 1 – 8, the 4000-260 RH MOUNT will be used on rows 9 – 16, & the shim will be used on rows 6 & 11

ASSEMBLY INSTRUCTIONS FOR CNH 1250/1255 PLANTERS 12 & 16 ROW CONT'D

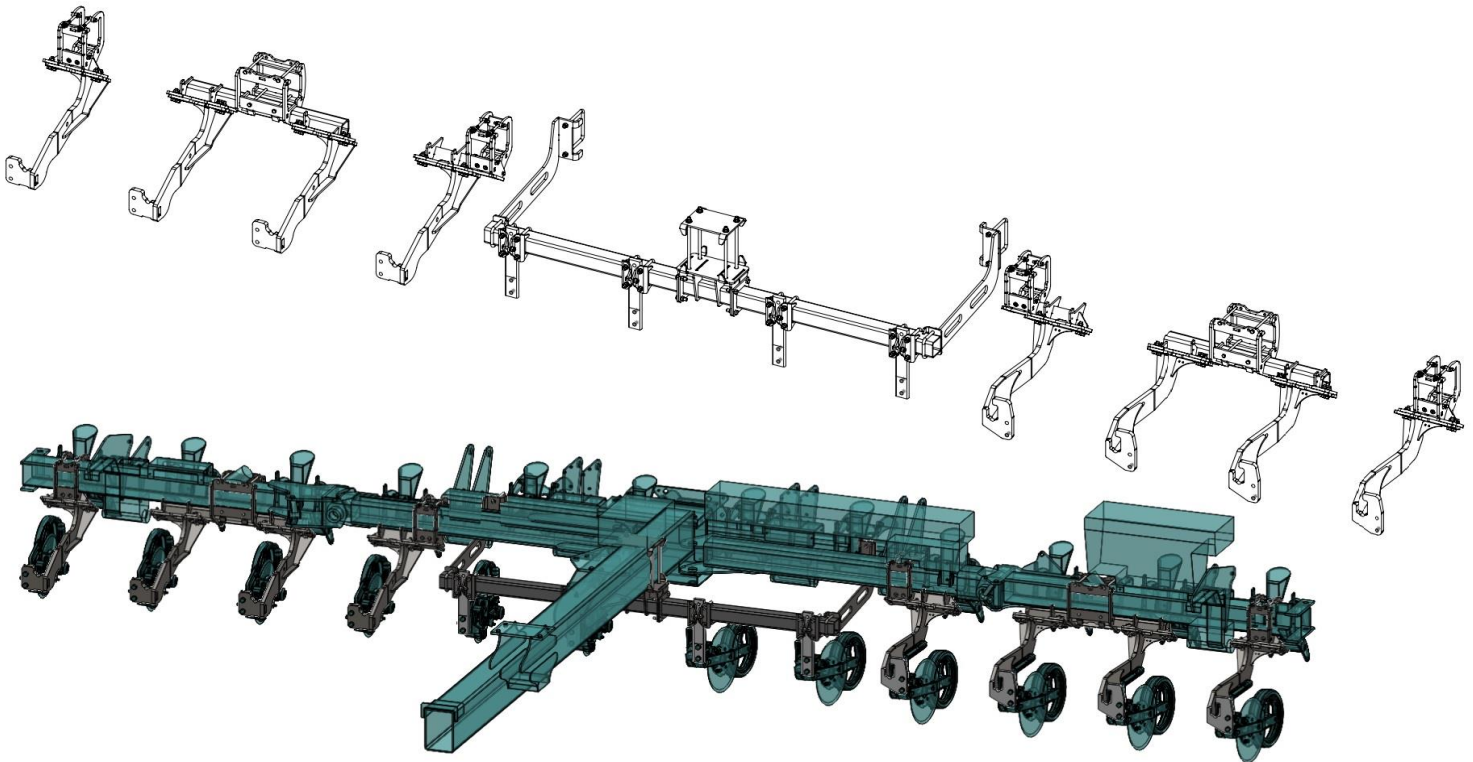
- STEP 5:** Install the LH CNH mount on row 2 & the RH CNH mount on row 11 (12 row planter) or row 15 (16 row planter). Install the LH coulters to the LH mount & the RH coulters to the RH mount. Fold the planter to check for clearance. Make adjustments if necessary. Repeat this process as you continue installation down the LH wing & up the RH wing. Keep folding the planter to check for clearance. Some obstacles, like vacuum hose weldments, may not allow the position the mounting bracket to be where desired. Some items, such as an air tank reservoir, will have to be relocated.
- STEP 6:** A shim will need added between the planter toolbar & CNH mount. 12 row planters, a shim is required on row 4. On 16 row planters, a shim is required on row 6 and 11. (see the **Shim Installation picture on previous page**)
- STEP 7:** After fertilizer coulters installation is complete, go back through the toolbar to make sure the planter hydraulic hoses, pneumatic tubing, electrical cables, & vacuum hoses are back in original position, zip tie as needed.
- STEP 8:** Lower the lift wheels to the lowest setting available which raises the toolbar height while planting to 21 – 22". This raises the pivot point of the coulters allowing more coulters travel without sacrificing the performance of the planter. Certain lift wheels may be equipped with speed sensors that may need adjusted when changing the position of each lift wheel.



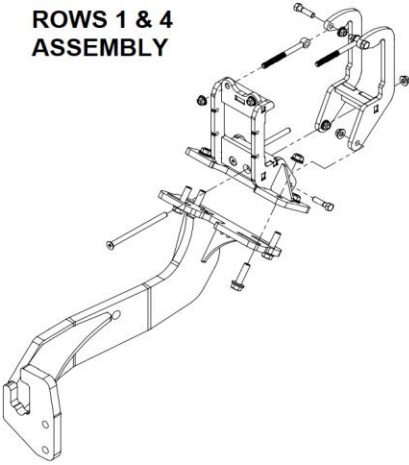
- STEP 9:** Attach the fertilizer hose to the tube on the fertilizer knife. When routing the hose use your best judgement to prevent excessive wear, pinching, or pulling. Fertilizer tubes should be routed in front of the toolbar that the seed units are mounted to. After fertilizer hose installation, lower the toolbar & manually lift the fertilizer coulters to full upward travel to inspect clearance. On liquid application, if necessary, cut down the fertilizer tube as close to the top of the knife as possible.



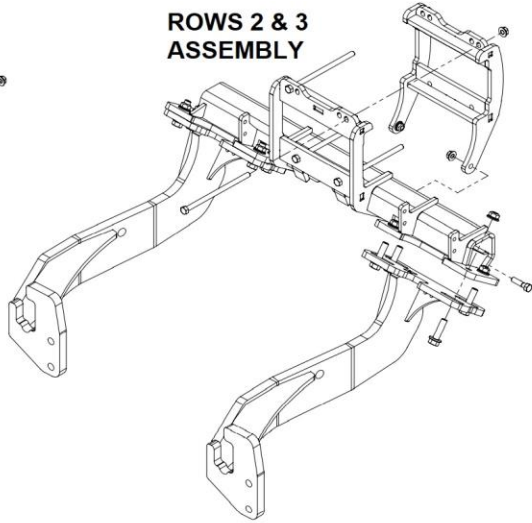
ASSEMBLY INSTRUCTIONS - CNH 2150 12 ROW



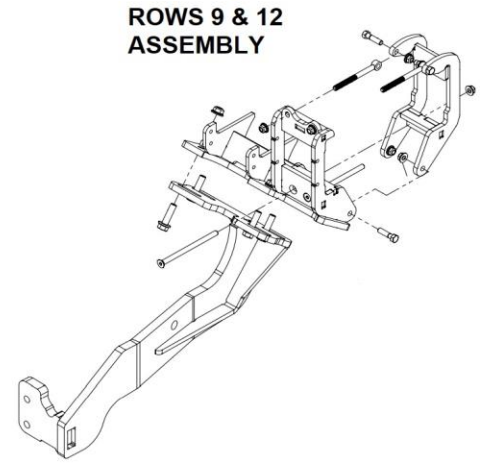
**ROWS 1 & 4
ASSEMBLY**



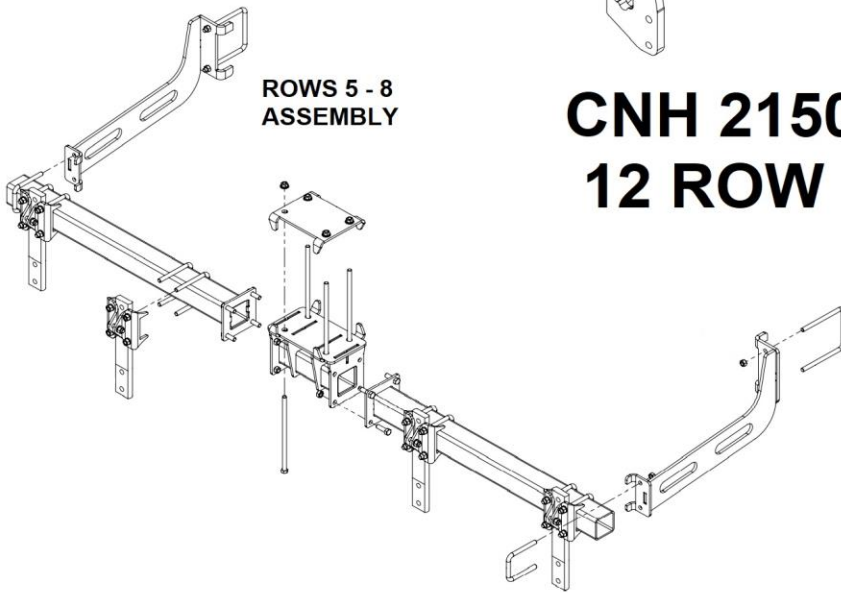
**ROWS 2 & 3
ASSEMBLY**



**ROWS 9 & 12
ASSEMBLY**

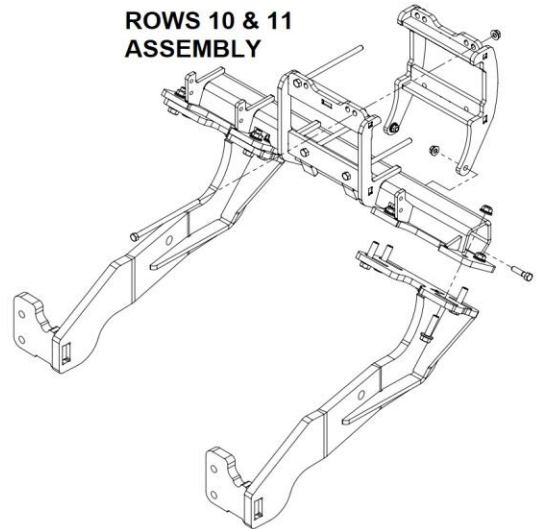


**ROWS 5 - 8
ASSEMBLY**

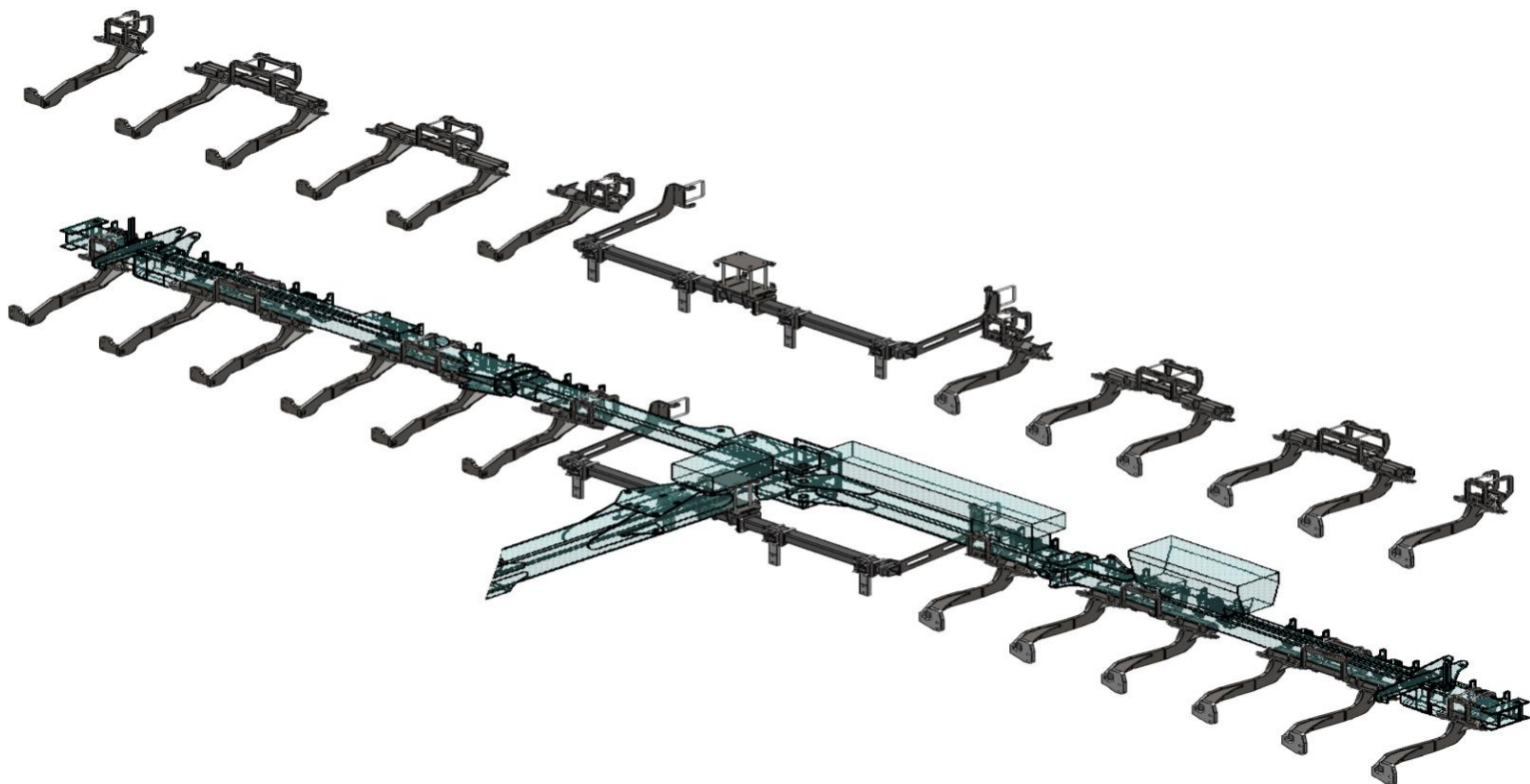


CNH 2150 12 ROW

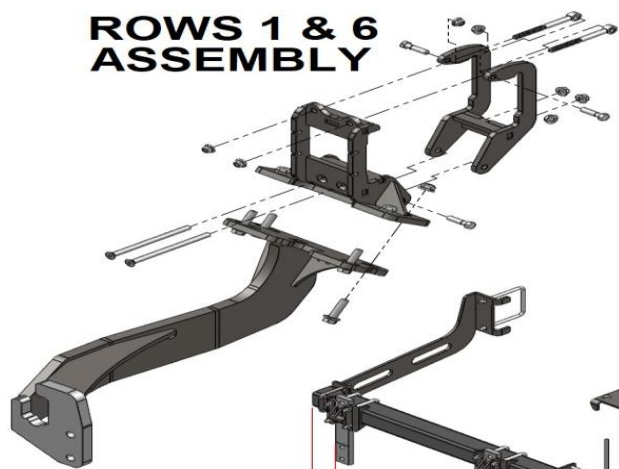
**ROWS 10 & 11
ASSEMBLY**



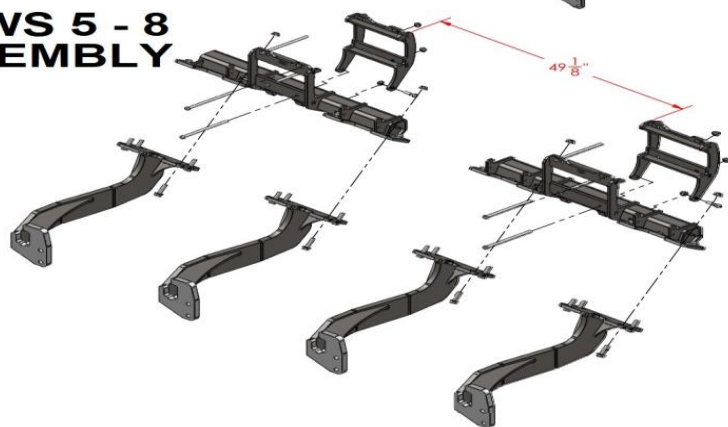
ASSEMBLY INSTRUCTIONS - CNH 2150 16 ROW



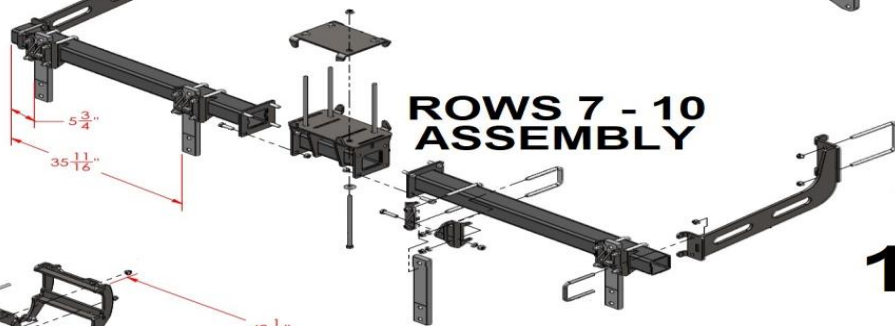
**ROWS 1 & 6
ASSEMBLY**



**ROWS 5 - 8
ASSEMBLY**

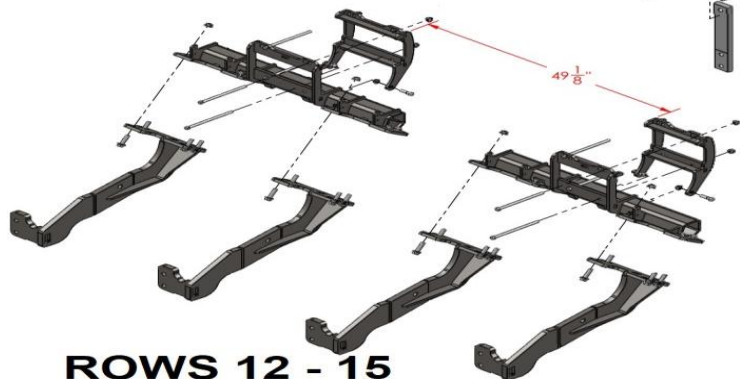


**ROWS 7 - 10
ASSEMBLY**

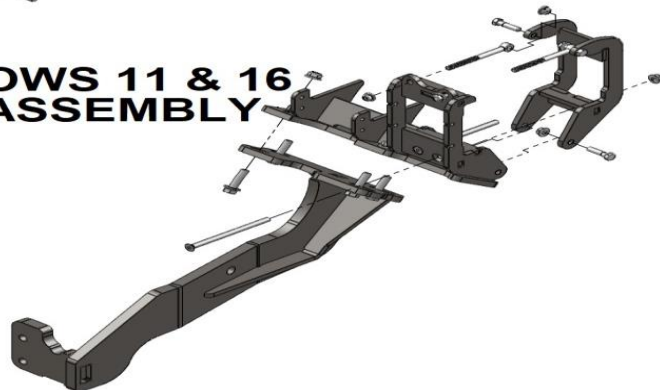


**CNH
2150
16 ROW**

**ROWS 12 - 15
ASSEMBLY**



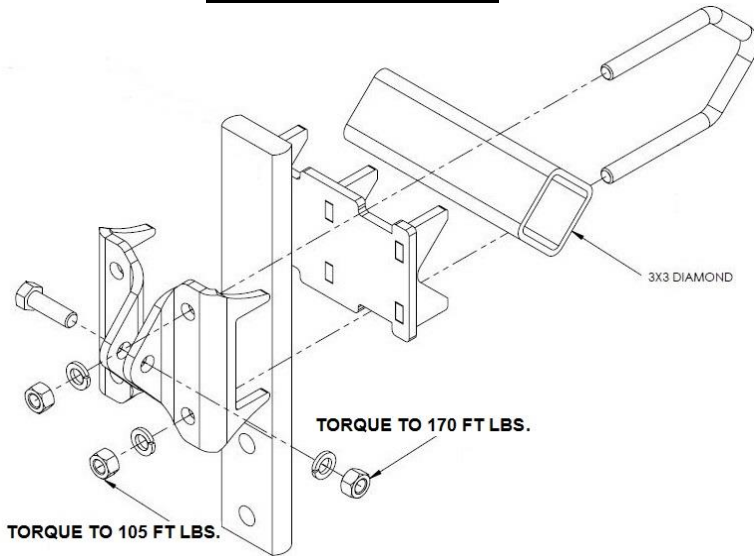
**ROWS 11 & 16
ASSEMBLY**



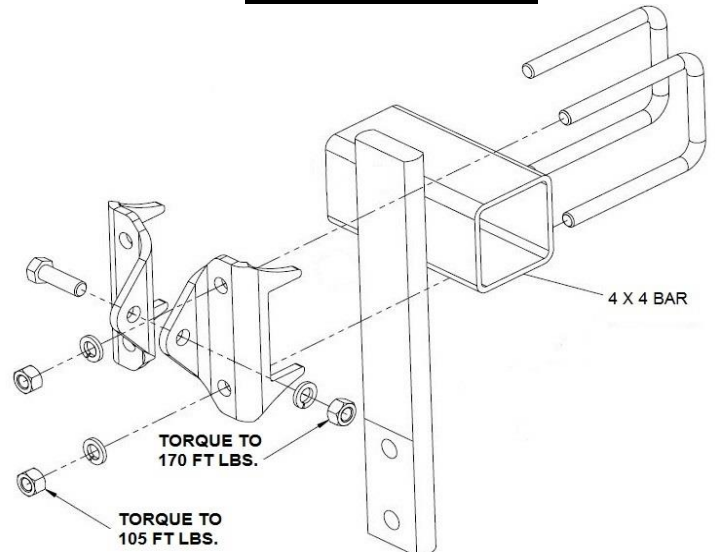
ASSEMBLY INSTRUCTIONS (Toolbar Application)

Step 1: Assemble the U-bolts, mounting plate, and hardware to the toolbar. Leave the hardware loose until the coulters is set to the correct spacing. Tighten the U-bolts first, then tighten the 5/8 horizontal bolt.

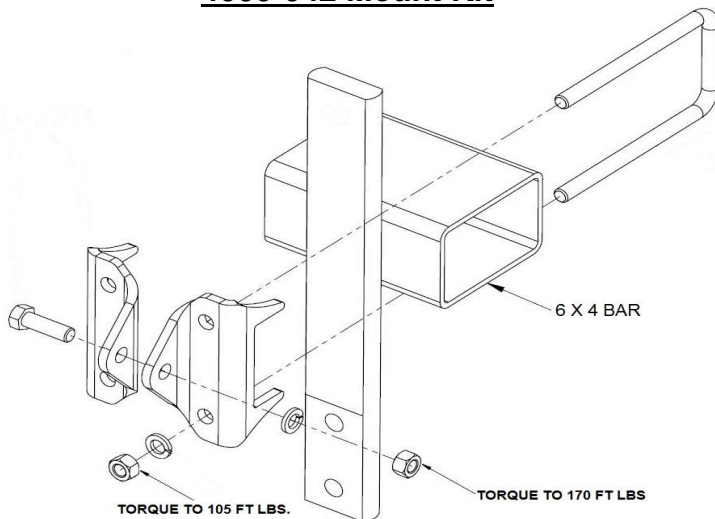
4000-040 Mount Kit



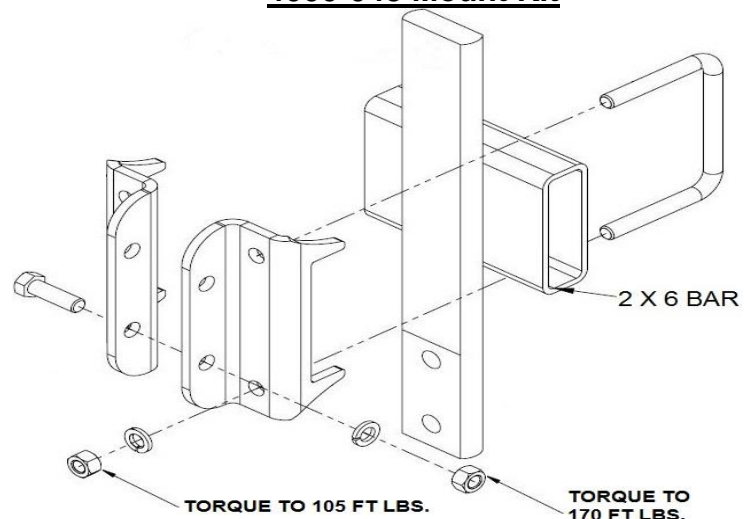
4000-041 Mount Kit



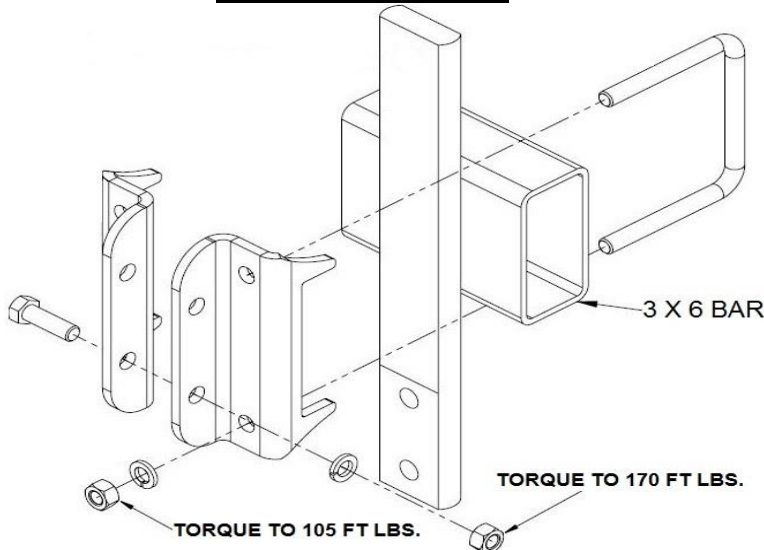
4000-042 Mount Kit



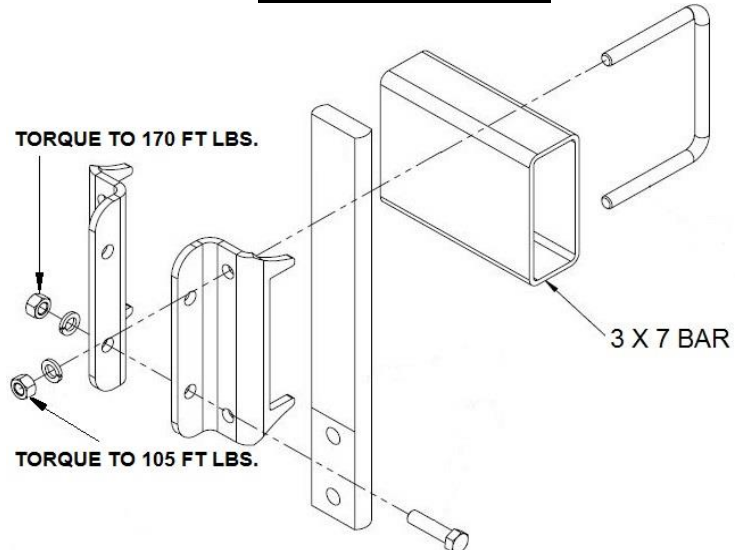
4000-043 Mount Kit



4000-044 Mount Kit

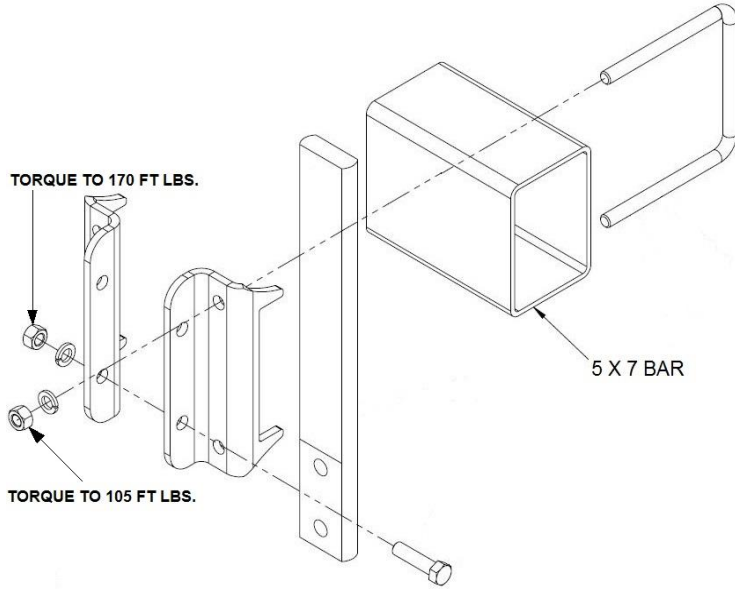


4000-045 Mount Kit

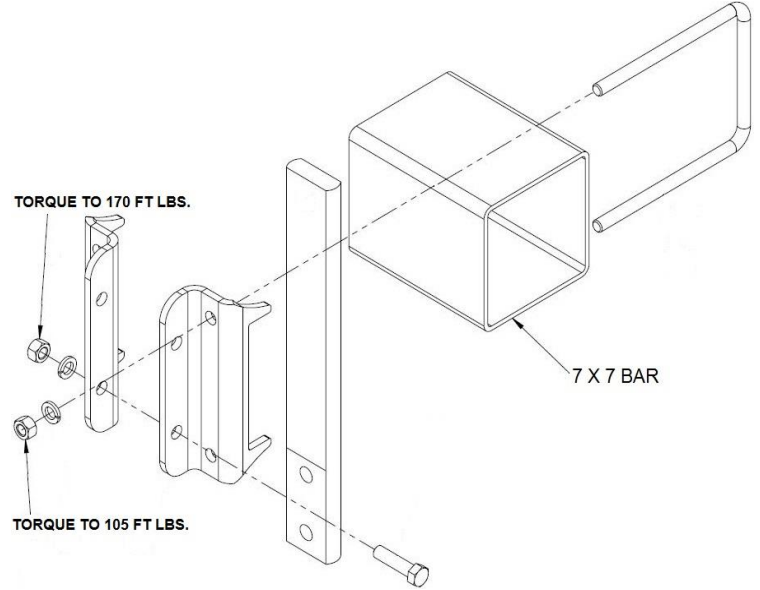


ASSEMBLY INSTRUCTIONS (Toolbar Application)

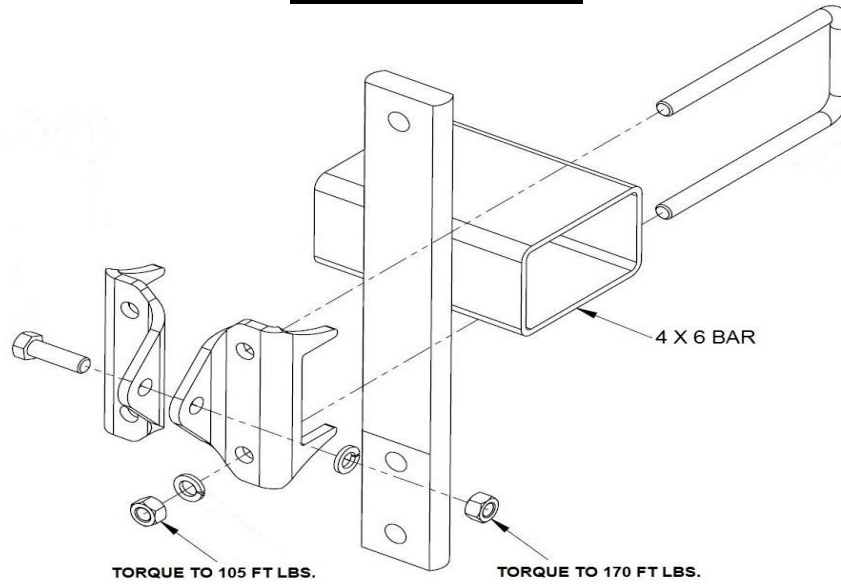
4000-046 Mount Kit



4000-047 Mount Kit

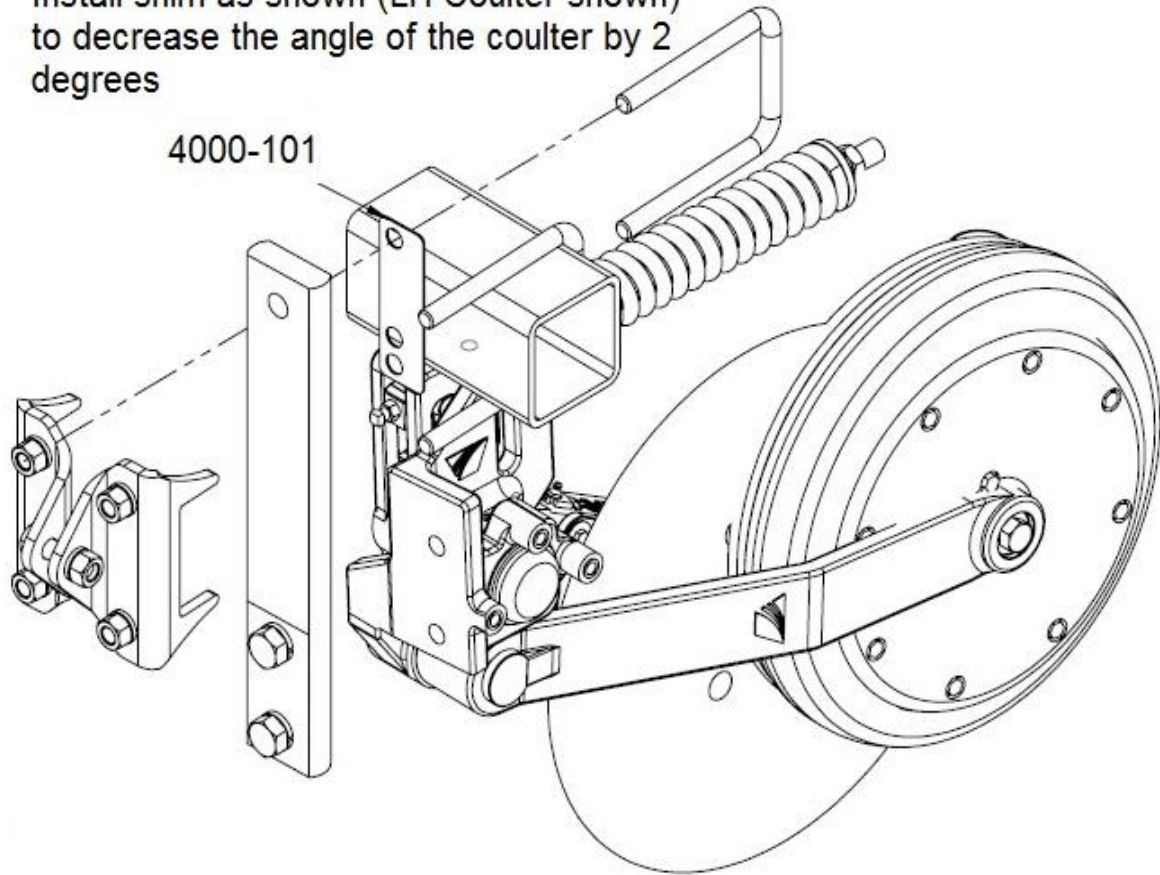


4000-048 Mount Kit



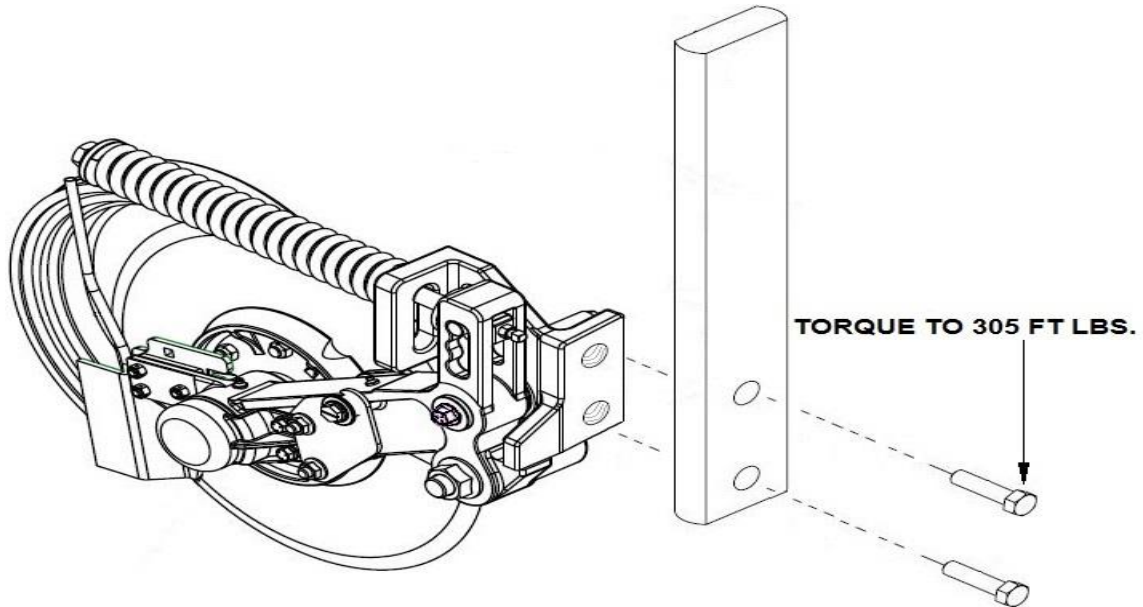
4000-101 -2 Degree Angle Shim Installation (Optional)

Install shim as shown (LH Coultter shown)
to decrease the angle of the coultter by 2
degrees



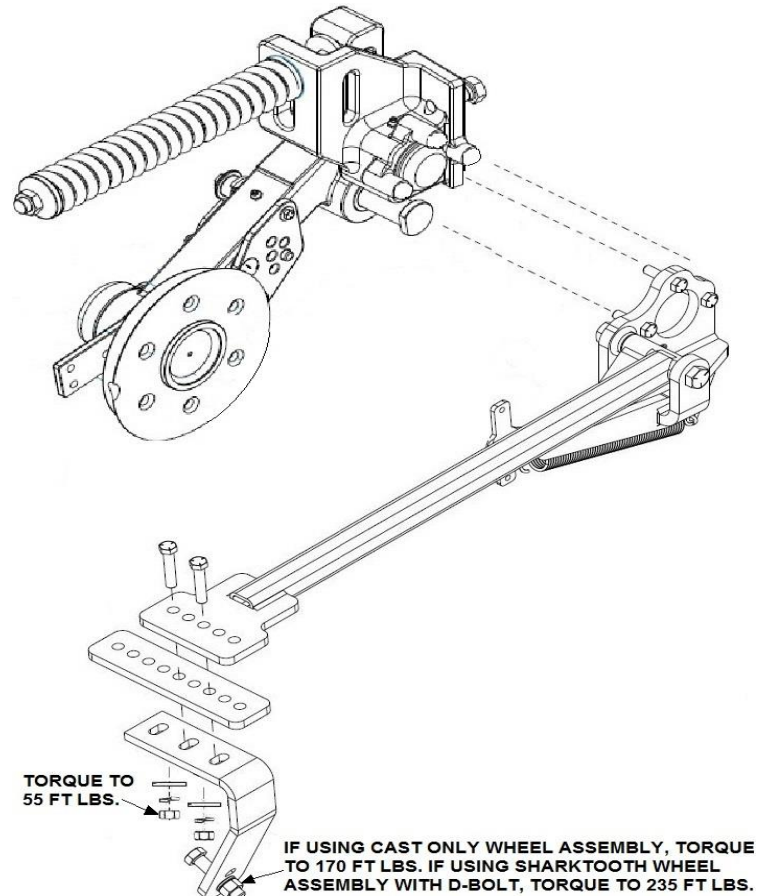
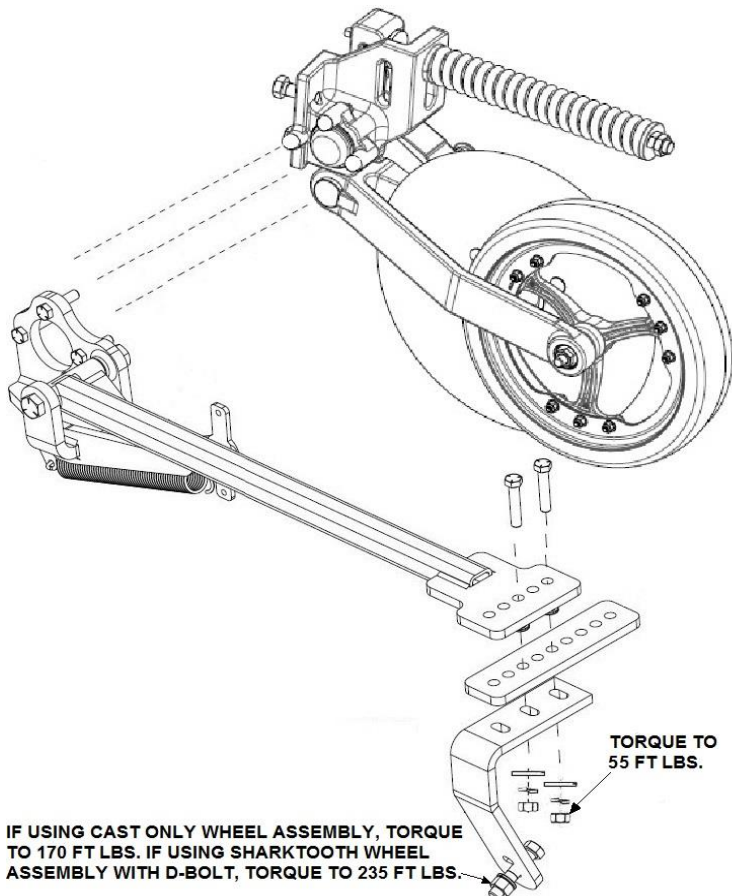
ASSEMBLY INSTRUCTIONS

Step 2: Assemble the coulter to the shank using the 2) $\frac{3}{4}$ X 2" bolts.

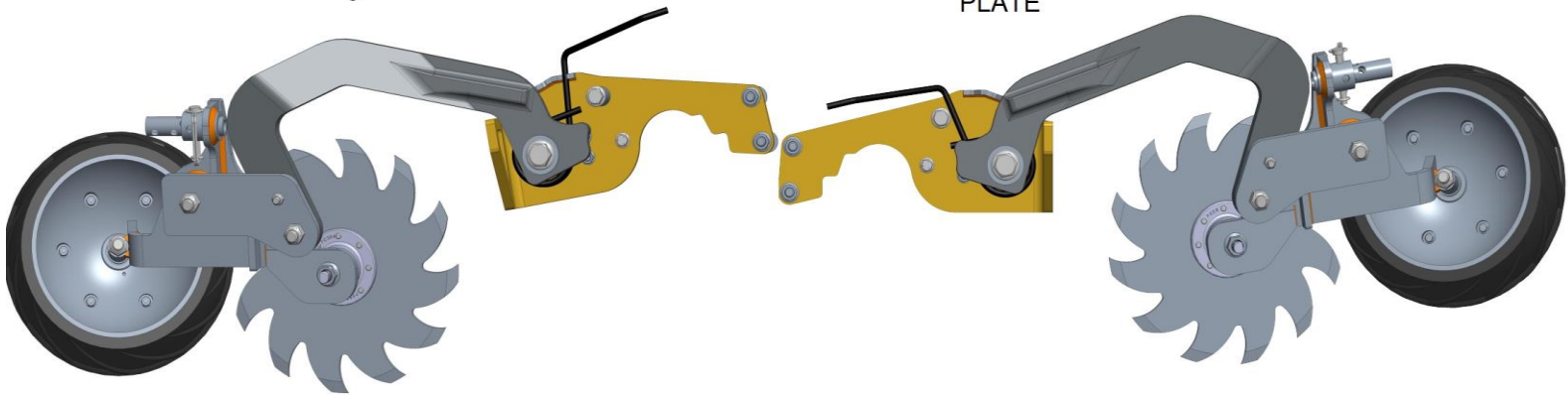
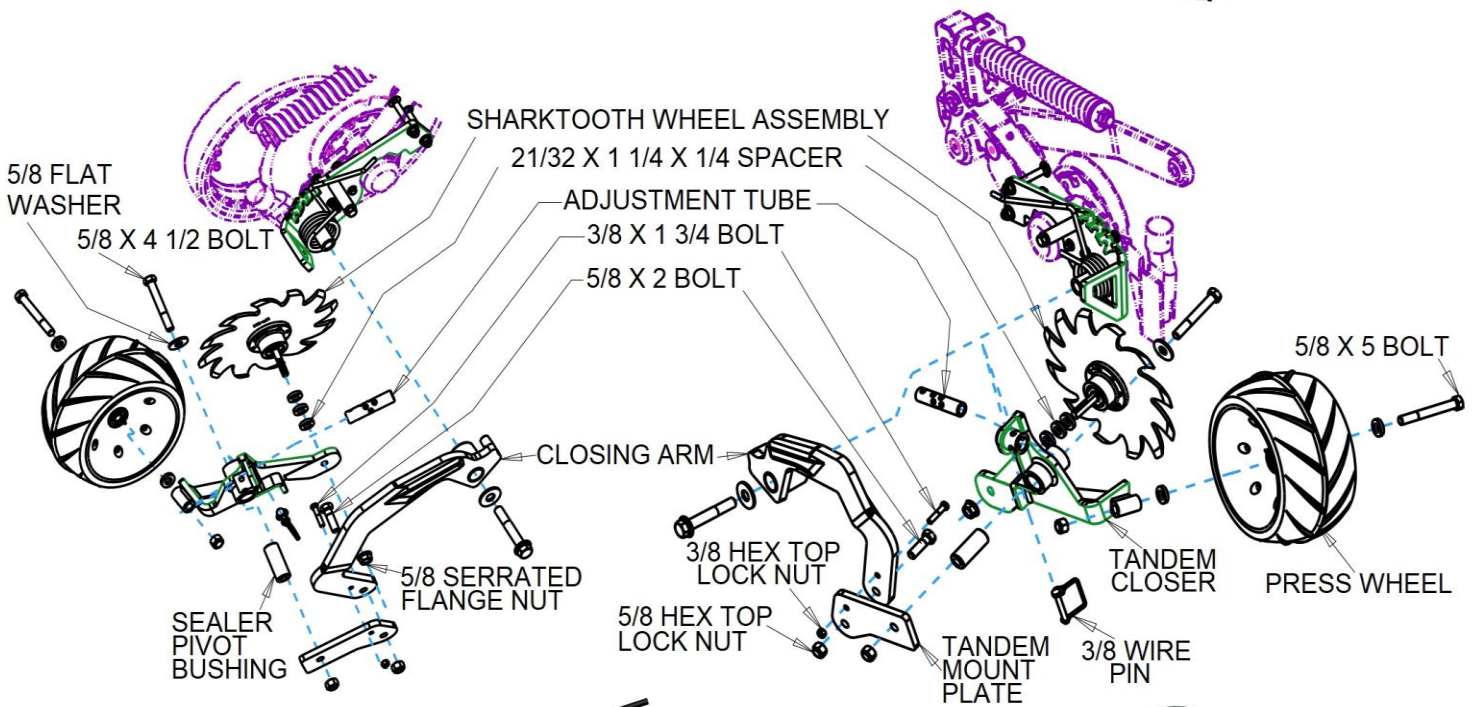
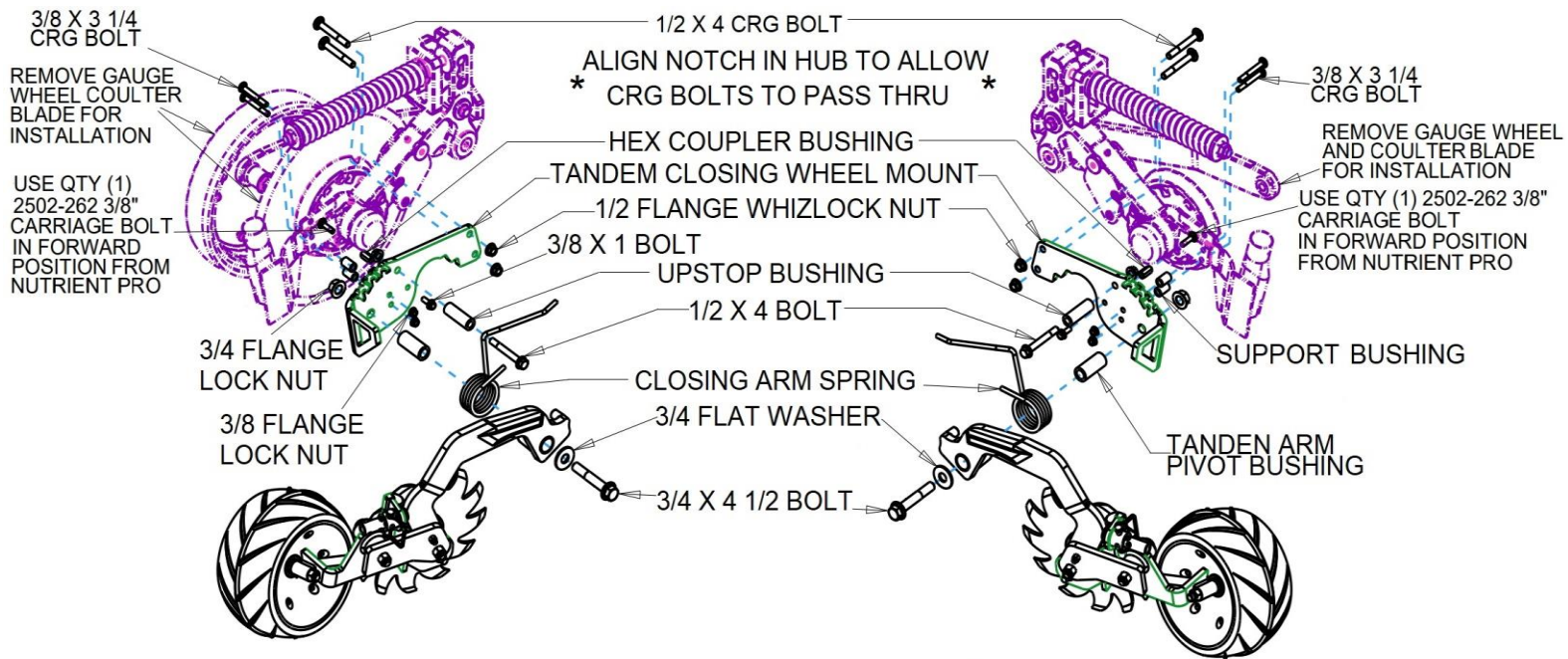


Step 3: Attach the fertilizer hose to the tube on the fertilizer knife. When routing the hose use your best judgement to prevent excessive wear, pinching, or pulling. After fertilizer hose installation, lower the toolbar & manually lift the fertilizer coulter to full upward travel to inspect clearance. On liquid application, if necessary, cut down the fertilizer tube as close to the top of the knife as possible. This helps minimize leverage of the fertilizer hose pulling on the knife tube.

Step 4: (if applicable) Assemble the 4000-070 & 4000-071 sealer wheel assembly. Attach the sealer arm assembly to the coulter assembly using 3) $\frac{1}{2}$ X 2" bolts. Assemble the sealer bracket & spacer using 2) $\frac{1}{2}$ flat washers, 2) $\frac{1}{2}$ lock washers, & 2) $\frac{1}{2}$ hex nuts. Assemble the closing wheel assembly to the sealer bracket. Use the round hole if using cast closing wheel, use the D-bolt hole if using the Sharktooth closing wheel. Use your judgement to adjust the closing wheel angle & the spacing off of the row.



4000-020A-LH – ASSEMBLY INSTRUCTIONS – 4000-020A-RH



4000-020A-LH & 4000-020A-RH ASSEMBLY INSTRUCTIONS

TOOLS NEEDED: 3/8 Allen Wrench, Impact, 1 1/8 wrench/socket, 15/16 wrench/socket, 3/4 wrench/socket

STEP 1: Remove gauge wheel & blade on fertilizer opener. Rotate the blade to have access to remove the hardware

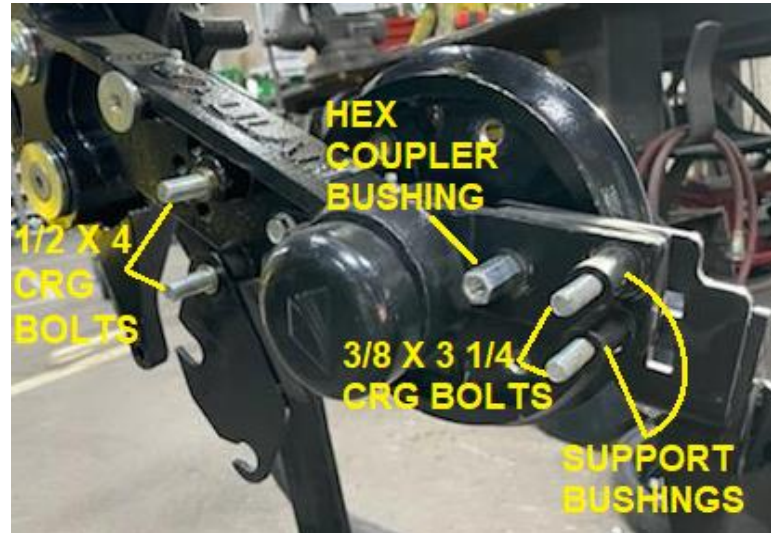
STEP 2: Attach Closing Wheel Mount Plate using 2) 3/8 X 3 1/4 crg. bolts, 2) 3/8 flg nuts, & 2) support bushings (these parts use rear set of knife holes), & 2) 1/2 X 4 crg. bolts (align the notch on coupler hub to get bolts to pass by), 2) 1/2 flg nuts. Use front crg. bolt on knife & install the hex coupler bushing using a 3/8 X 1 bolt, tighten all hardware except for the hex coupler & 3/8 X 1 bolt.

STEP 3: Attach the Closing Arm using 1) 3/4 X 4 bolt, 1) 3/4 flat washer, torsion spring, pivot bushing, & 3/4 flanged lock nut. Also install the upstop bushing using 1) 1/2 X 4 & 1) 1/2 flg lock nut.

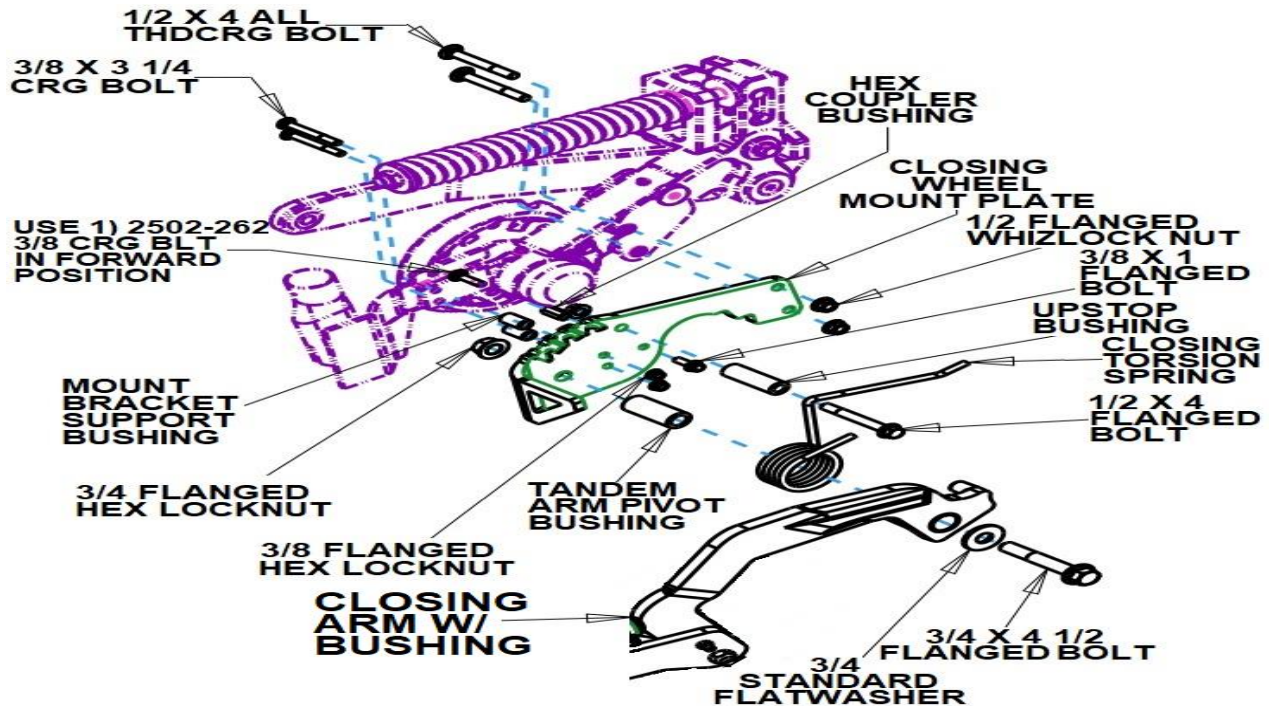
STEP 1



STEP 2



STEP 2/3 DIAGRAM

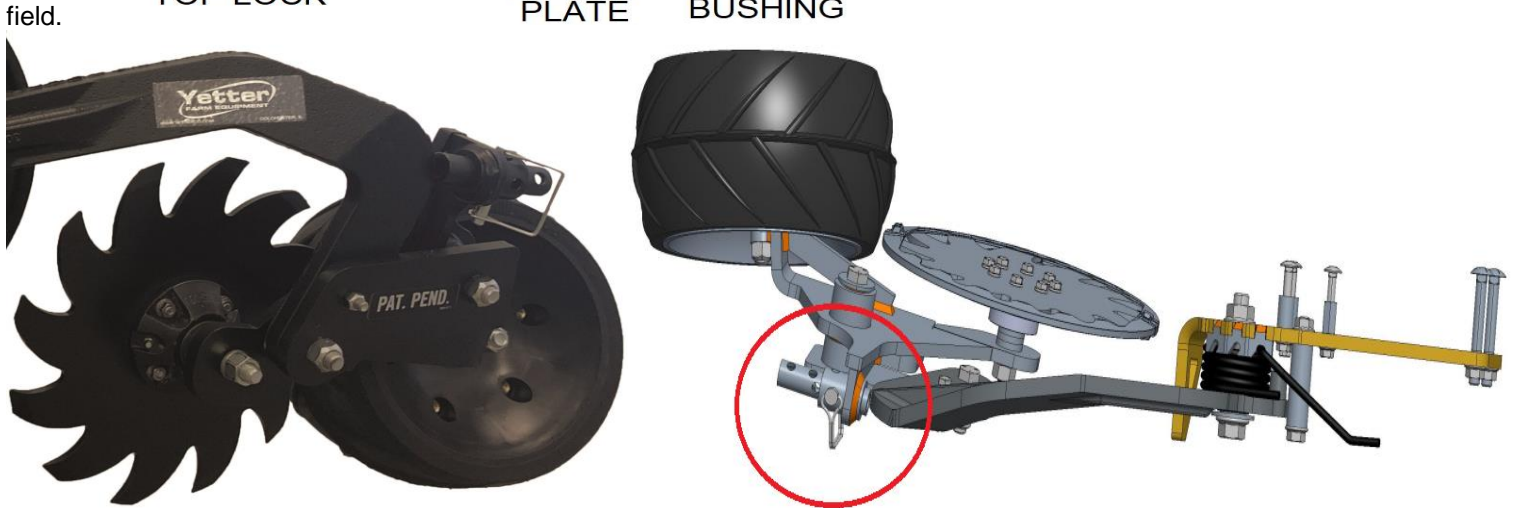
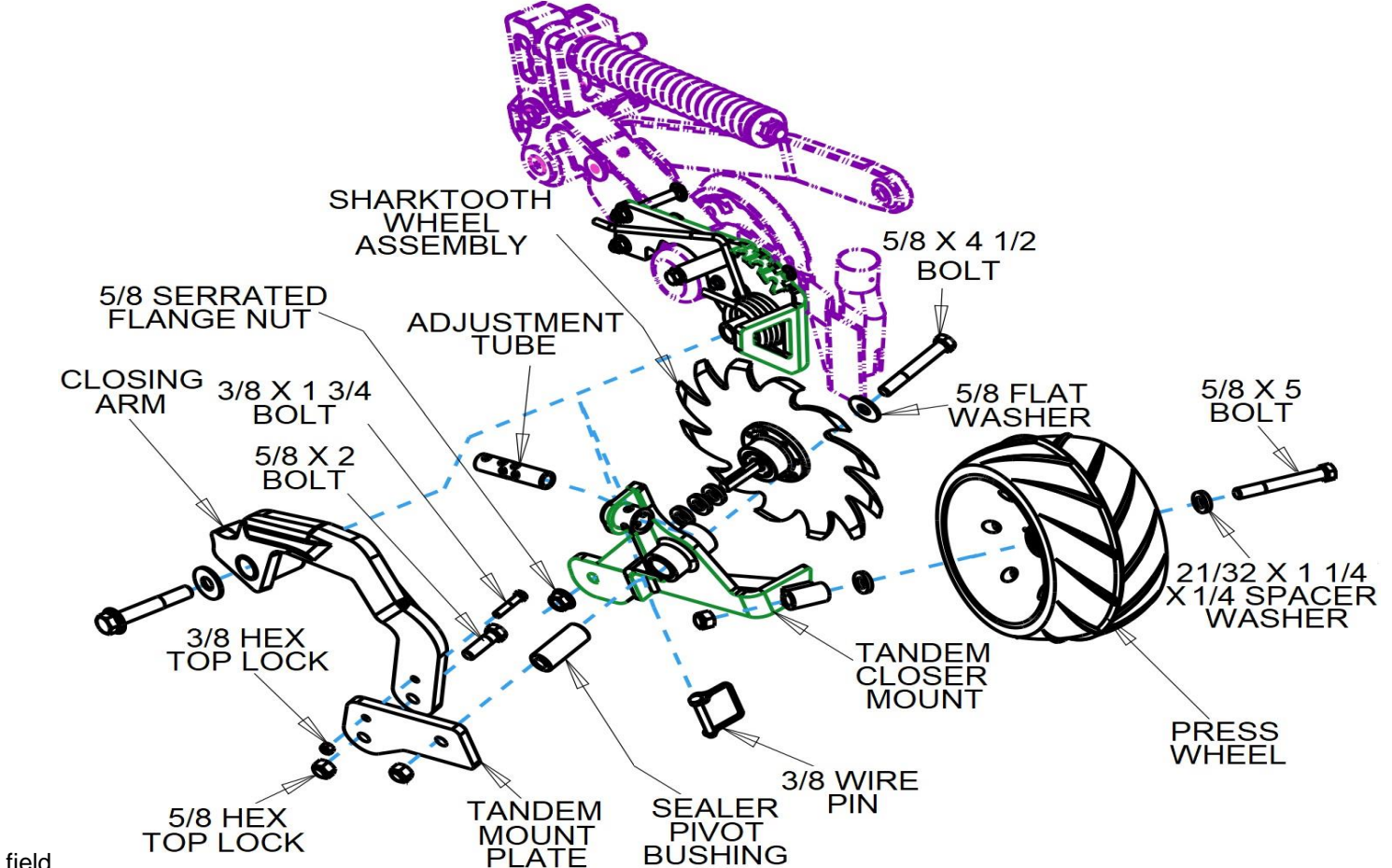


4000-020A-LH & 4000-020A-RH ASSEMBLY INSTRUCTIONS

STEP 4: Attach Tandem Mount Plate to Closing Arm using 1) 3/8 X 1 3/4" bolt, 1) 3/8 top lock, 1) 5/8 X 2" bolt, & 5/8 Top Lock Nut

STEP 5: Attach the Tandem Closer Mount Bracket to the Tandem Mount Plate using 1) 5/8 X 4 1/2" Bolt, 1) 5/8 Flat Washer, & 1) Sealer Pivot Bushing

- STEP 6:** Attach the Closing Wheel Assembly to the Tandem Closer Mount Bracket, place 3 wheel spacers over the D-bolt, insert D-bolt thru front hole on Tandem Closer Wheel Mount Bracket, & fasten using a 5/8 lock washer & 5/8 GR8 lock nut.
- STEP 7:** Attach 6.5 X 12 Press Wheel to Tandem Closer Mount Bracket, place wheel spacer over 5/8 X 5 bolt, insert bolt thru press wheel, place wheel spacer over bolt, insert bolt thru bushing on tandem closer wheel mount, & fasten lock nut.
- STEP 8:** Install Adjustment Tube using the 3/8 Wire Pin. Start with Adjustment Tube just sticking past the tandem closer mount bracket by approximately a 1/2" & adjust as needed in the



OPERATION

The 4000 Nutrient Pro single disc fertilizer is designed for use in most planting and side dress conditions. Placement of fertilizer with the single disc fertilizer opener is recommended at 2"-4" from the row. The opener is designed to hold the blade at a set angle so the knife & fertilizer tube operate in the shadow of the blade. **NEVER** locate the opener to place fertilizer closer than 2". Maximum operating depth for the 18" blade is 5", the 20" blade is 6"). Check the fertilizer hose clearance after adjusting opener depth.

STEP 1: Check/Set the planter frame height to the manufacturer's recommendations, usually 21 – 22" Side dress toolbar height will vary. Planter/toolbar should be level front to back, fore & aft.

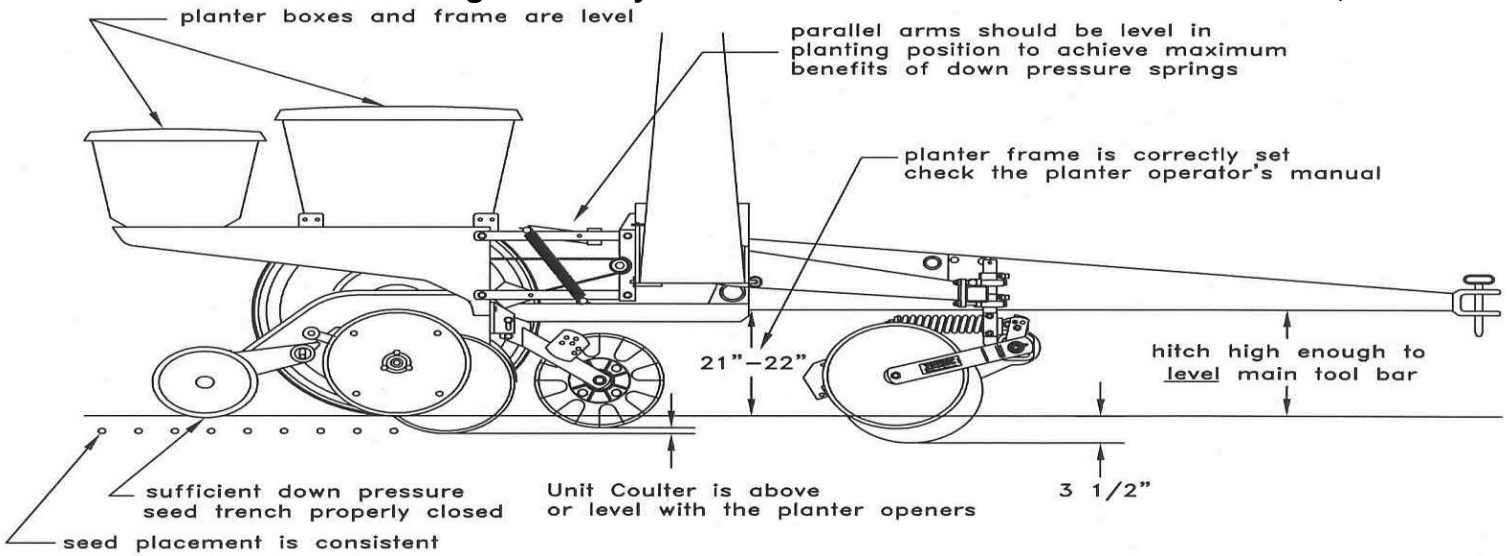


FIGURE A. (CORRECT)

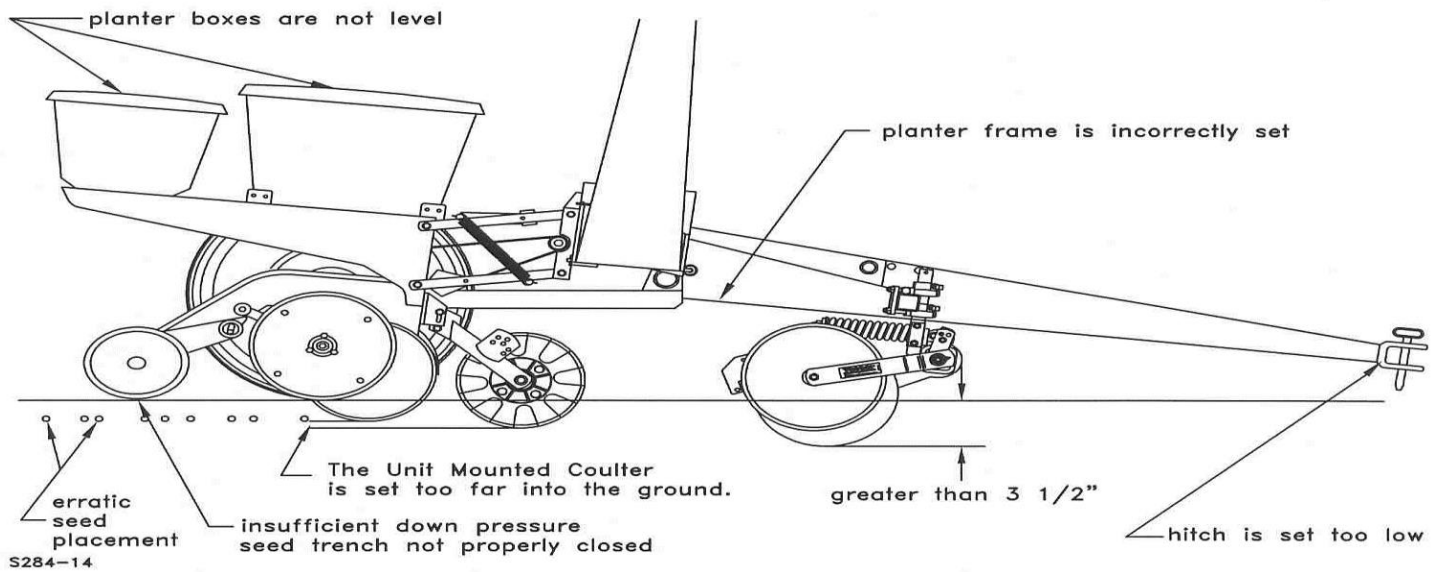


FIGURE B. (INCORRECT)

Figure A. – The planter frame is 21-22" off the ground. To ensure this, visually check to see that the planter boxes are level and that the planter unit parallel arms are also parallel with the ground or have a slightly downward slope to the row unit. **When using planter attachments located in front of the planter unit, this setting is very important.**

Figure B. – The planter hitch is set too low while the planter remains at 20" off the ground. Notice from the illustration that the unit mounted coulters is running deeper in the ground.

Note – Both illustrations are strictly for reference only. They are intended to show that proper adjustment of the hitch height is crucial. Consult your planter operator's manual for the proper height adjustment of the hitch.

OPERATION

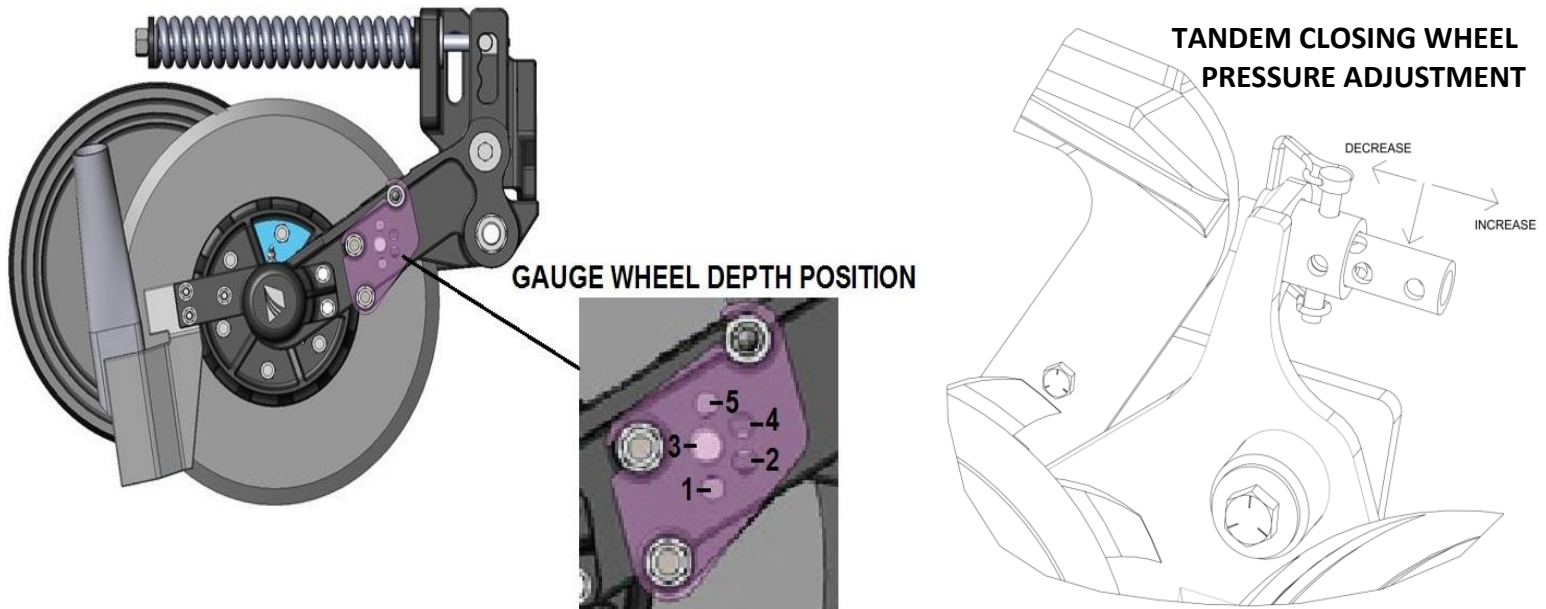
STEP 2: SETTING THE DEPTH

Planter mounted 4000 Nutrient Pro assemblies are only adjustable by depth control pin. If 4000 Nutrient Pro assemblies are to be used for side dressing or pre-plant, raise or lower the coulters assembly/shank at the toolbar as needed to achieve desired depth. After setting depth, tighten the horizontal 5/8 X 2" bolt to clamp the shank in place.

Gauge Wheel Depth Adjustments

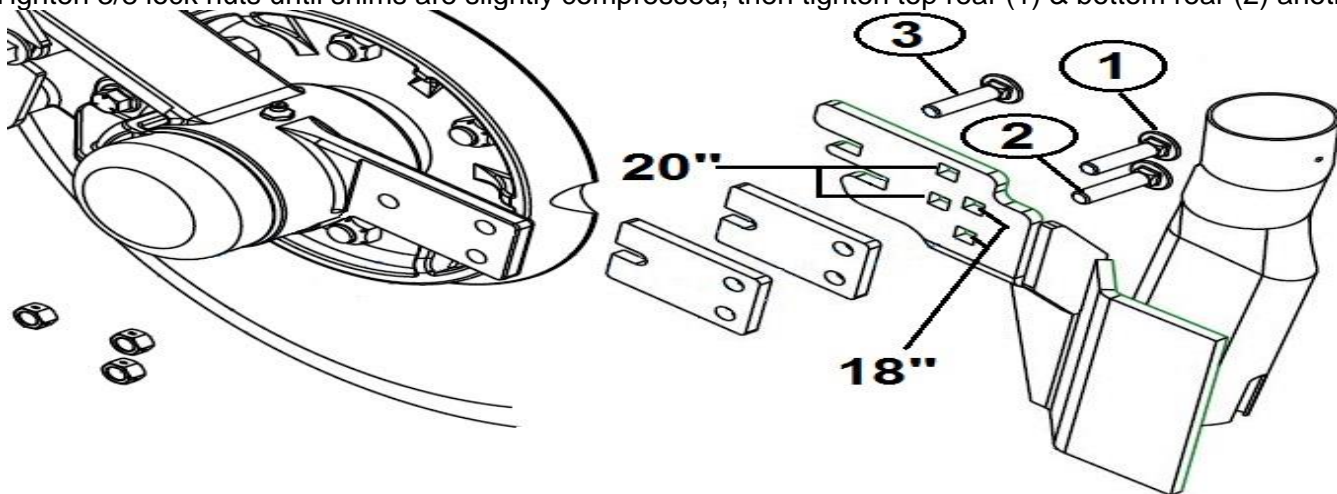
- 18" Blade – Position 1 = 1 ½", Position 2 = 2 3/8", Position 3 = 3 ¼", Position 4 = 4 1/8", Position 5 = 5"
- 20" Blade – Position 1 = 2 ½", Position 2 = 3 3/8", Position 3 = 4 ¼", Position 4 = 5 1/8", Position 5 = 6"

NOTE: If using a 13" gauge wheel, gauge wheel depth position 4 and 5 are NOT to be used.



STEP 3: ADJUST KNIFE TO BLADE CONTACT

Adjust the knife on each opener so the blade will turn by hand with slight resistance, but will not coast or freewheel. In loose soil the knife adjustment is critical. The rubber shims are used to help set the knife position to the blade. The correct knife setting will have the contacting edge of the knife in full contact with the blade or no more than .125" (1/8") gap at the top. The bottom of the knife contacting the blade is critical to help eliminate issues. After the knife is in the correct position, tighten each nut the same amount of rotations. If adjustment is not maintained, soil or residue may wedge between knife and blade, resulting in the blade not turning. Because of blade run out, rotate the blade one full revolution after adjustment. Re-adjust knife as needed. Never strike the knife with a heavy object or damage may occur. The same knife is used on both 18" & 20" coulters assemblies & should be mounted so the bottom of the knife is flush with blade bevel. **DO NOT** overtighten carriage bolts to smash the rubber shim, replace rubber shims as needed. Tighten 3/8 lock nuts until shims are slightly compressed, then tighten top rear (1) & bottom rear (2) another ¼ - ½ turn



MAINTENANCE

BEARING ASSEMBLY AND LUBRICATION

Practice Safety


Understand & practice safe service procedures before doing work. Follow ALL the operating, maintenance and safety information in the equipment operator manual. Clear the area of bystanders, especially small children, when performing any maintenance or adjustments. Keep work area clean and dry. Use adequate lighting for the job. Use only tools, jacks and hoists of sufficient capacity for the job. Never lubricate, service, or adjust machine while it is moving. Keep

hands, feet, and clothing from power-driven moving and rotating parts. Disengage all power and operate controls to relieve pressure. Lower equipment to the ground & stop the engine. Remove the key. Wait for all moving parts to stop before servicing, adjusting, repairing or unplugging. Securely support any machine elements with blocks or safety stands that must be raised for service work. Keep all parts in good condition and properly installed. Fix damaged equipment immediately. Replace worn or broken parts. Remove any buildup of grease, oil, or debris. Make sure all guards are in place and properly secured when maintenance work is completed.

MAINTENANCE

On 2020 & older 4 bolt wheel assemblies, be certain to align grease fitting with slot in wheel & hubcap so that grease can flow freely. (2966-102-ST, 2966-103-ST, 2966-116-ST, 2966-117-ST, & 6200-115 sealer wheel assemblies)

Lubrication

 **CAUTION: To help prevent serious injury or death to you or others caused by unexpected movement, service machine on a level surface. Lower machine to ground or sufficiently lock or block raised machine before servicing. If machine is connected to tractor, engage parking brake and place transmission in "PARK", shut off engine and remove key. If machine is detached from tractor, block wheels and use shop stands to prevent movement.**

 **CAUTION: Do not clean, lubricate, or adjust machine while in motion.**

Use grease based on NLGI consistency numbers & the expected air temperature range during the service interval.

Use a **polyurea high temperature wheel bearing grease**. Other greases may be used if they meet the following **NLGI Performance Classification: GC-LB**

Some types of grease thickener are not compatible with others. Consult your grease supplier before mixing different types of grease.

Alternative Lubricants

Conditions in certain geographical areas may require special lubricants & lubrication practices which do not appear in the operator's manual. If there are any questions, consult Yetter Manufacturing Co. to obtain latest information and recommendation.

Storing Lubricants

Your machine can operate at top efficiency only if clean lubricants are used. Use clean containers to handle all lubricants. Store them in an area protected from dust, moisture and other contaminants.

Lubrication Symbols



Lubricate with grease at hourly interval indicated on symbol.

Lubrication Intervals

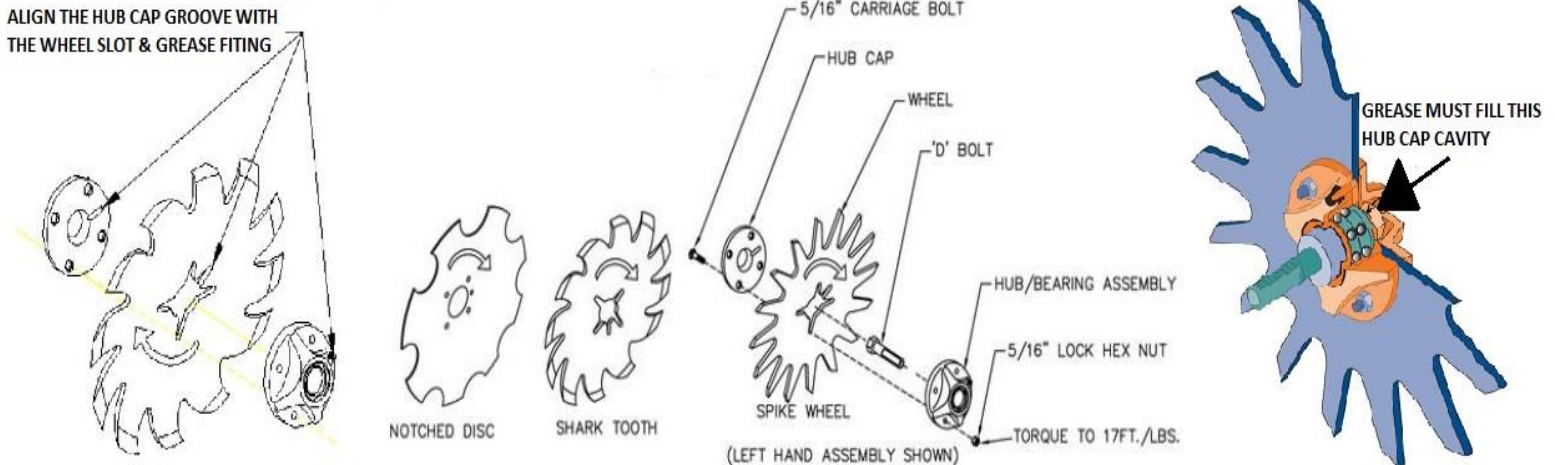
The recommended service intervals are based on normal conditions; severe or unusual conditions may require more frequent lubrication.

Perform each lubrication and service procedure at the beginning and end of each season.

Clean grease fittings before using grease gun, to avoid injecting dirt and grit into the bearing. Replace any lost or broken fittings immediately. If a fitting fails to take grease, remove and clean thoroughly, replace fitting if necessary. Also check for failure of adjoining parts.

MAINTENANCE

2020-OLDER BEARING REPLACEMENT INSTALLATION

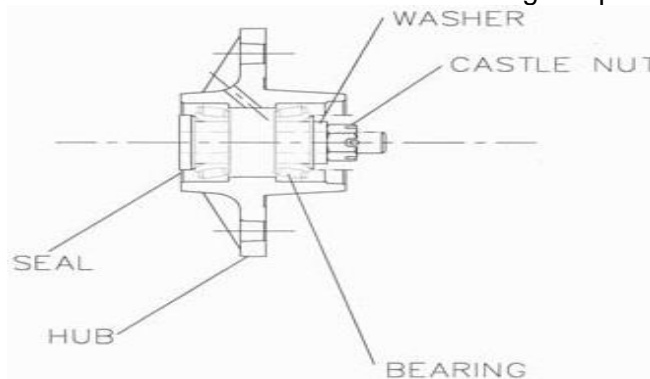


When assembling the closing wheels, bearing assembly and hubcap, be sure to align the grease transfer hole in the spoke wheel with the groove in the hubcap and hole in the hub to allow grease passage.

Install/assemble the wheels, hubs and caps.

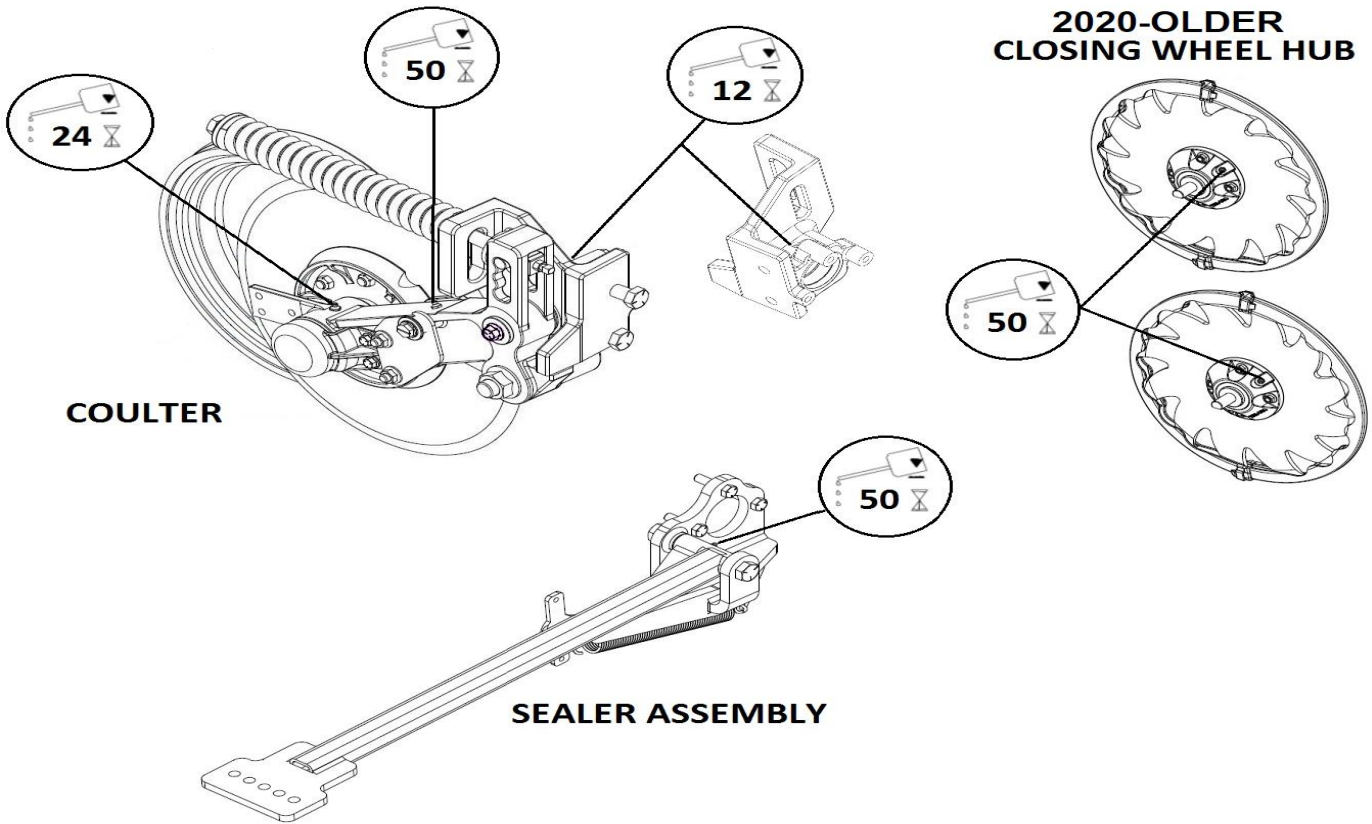
Grease the wheel/hub/bearing assembly.

Tapered bearings should be repacked annually & checked for wear. To check for wear, lift the planter off of the ground, check for endplay in the bearings by moving the coulter blade in & out. Rotate the blade to check for roughness in the bearings. If bearing sound rough, the hub should be removed & the bearings inspected & replaced if necessary.



1. Raise the toolbar until the units are off of the ground. Remove the gauge wheel & the blade. Remove the hubcap, cotter pin, slotted nut, & washer from the spindle shaft assembly.
2. Pull the coulter spindle shaft assembly from the hub. Remove bearing cones & cups; discard if bearings are being replaced. Clean hub & dry. Remove bearings only & not cups if repacking.
3. Wash the old grease from the hub, bearing cups, coulter spindle shaft, seal, & bearing cones. Inspect the condition of the bearing cups & cones.
4. Apply polyurea high temperature wheel bearing grease to each bearing. Make sure the space around each roller is filled. Lubricate the bearing cups.
5. Position the bearing in the cup & install the seal. Lubricate the seal lips & proceed with re-assembly of the removed parts including the blade. Blade bolt torque is 90 – 96 ft lbs.
6. Install outer bearing, washer, & slotted nut. Tighten the slotted nut to 170 inch lbs. while rotating the blade or until a definite drag is felt when the blade is turned by hand. Tighten the nut 1 slot position to line up the cotter pin hole with the slot. Secure the nut with a new cotter pin.

MAINTENANCE



DANGER: ALWAYS INSTALL ALL SAFETY LOCK UPS & LOCK PINS BEFORE WORKING UNDER THE TOOLBAR.

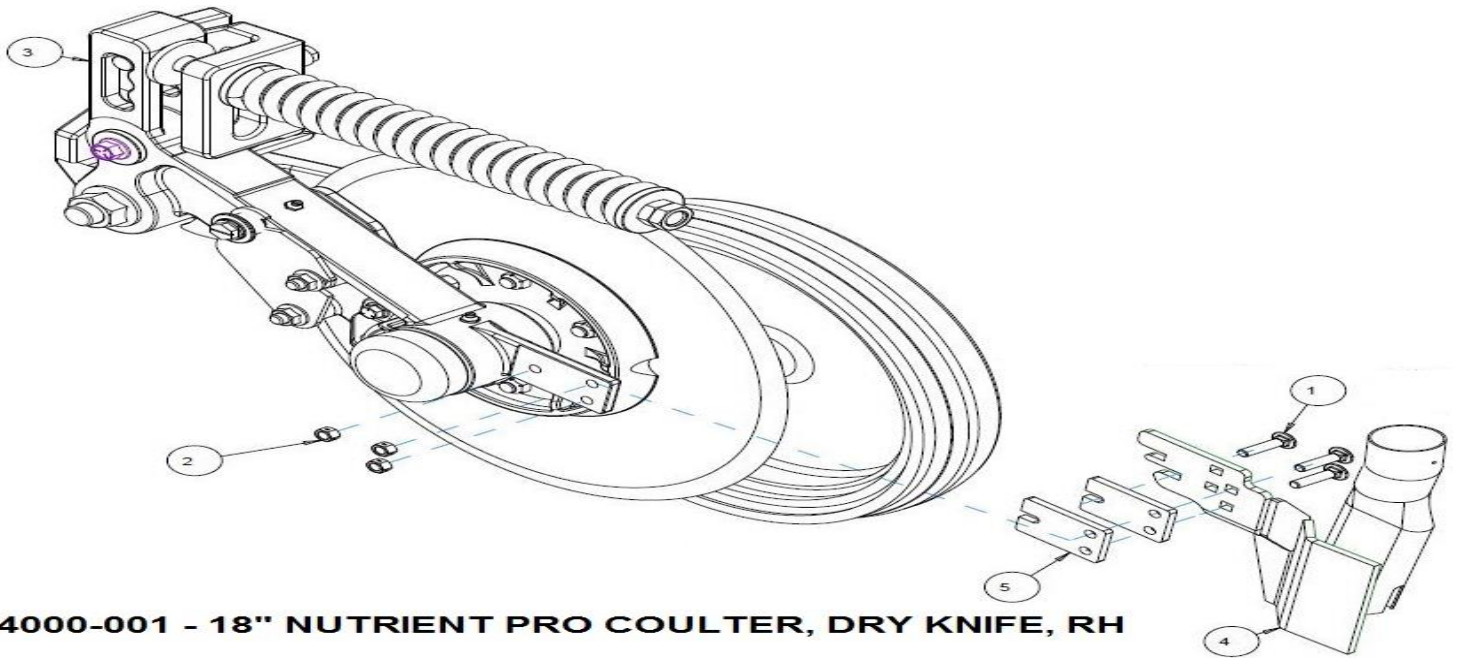
Storing the Equipment

1. Store the machine in an area away from human activity
2. Store the machine in the RAISED position.
3. Install service locks on all wheel cylinders.

At the end of the season, the machine should be thoroughly inspected & prepared for storage. Repair or replace any worn or damaged components to prevent down time at the start of the next season. Store the machine under cover with all parts in operating condition.

- Clean machine thoroughly to remove all dirt, debris, fertilizer spatter, and crop residue, which would hold moisture and cause rusting.
- Inspect machine for worn or broken parts. See your Yetter Farm Equipment dealer during the off-season so that parts or service can be acquired when machine is not needed in the field.
- Lubricate bearings as outlined in the Lubrication section
- Paint all parts which are chipped or worn and require repainting.
- Store machine in a clean, dry place with the planting unit out of the sun.
- If the machine cannot be stored inside, cover with a waterproof tarpaulin and tie securely in place.
- Do not allow children to play on or around the machine

4000-001 PARTS IDENTIFICATION

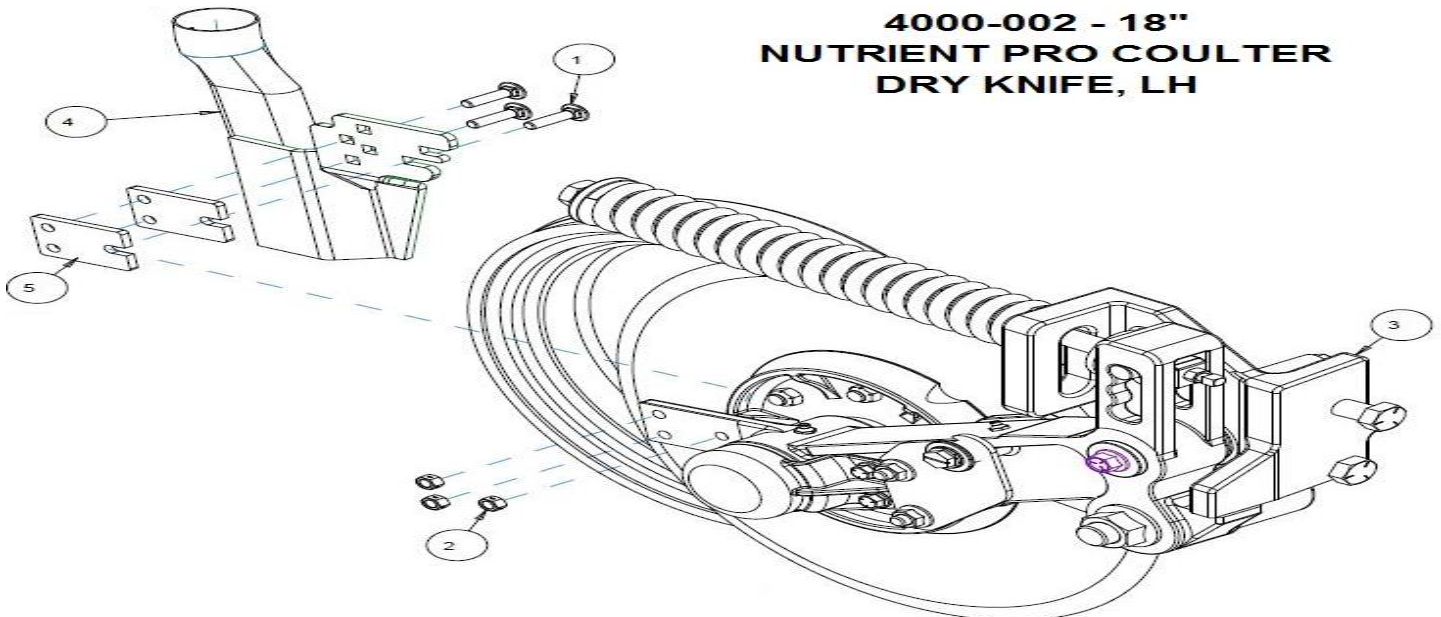


4000-001 - 18" NUTRIENT PRO COULTER, DRY KNIFE, RH

ITEM	PART NUMBER	DESCRIPTION	QUANTITY
1	2505-262	3/8-16 x 1 ½ CAR BOLT ZP	3
2	2520-255	3/8 – 16 LOCK HEX NUT ZP	3
3	4000-140	18" COULTER, LESS KNIFE, RH	1
4	4000-230	DRY FERTILIZER SPOUT W.A., RH	1
5	4000-370	RUBBER SHIM	2

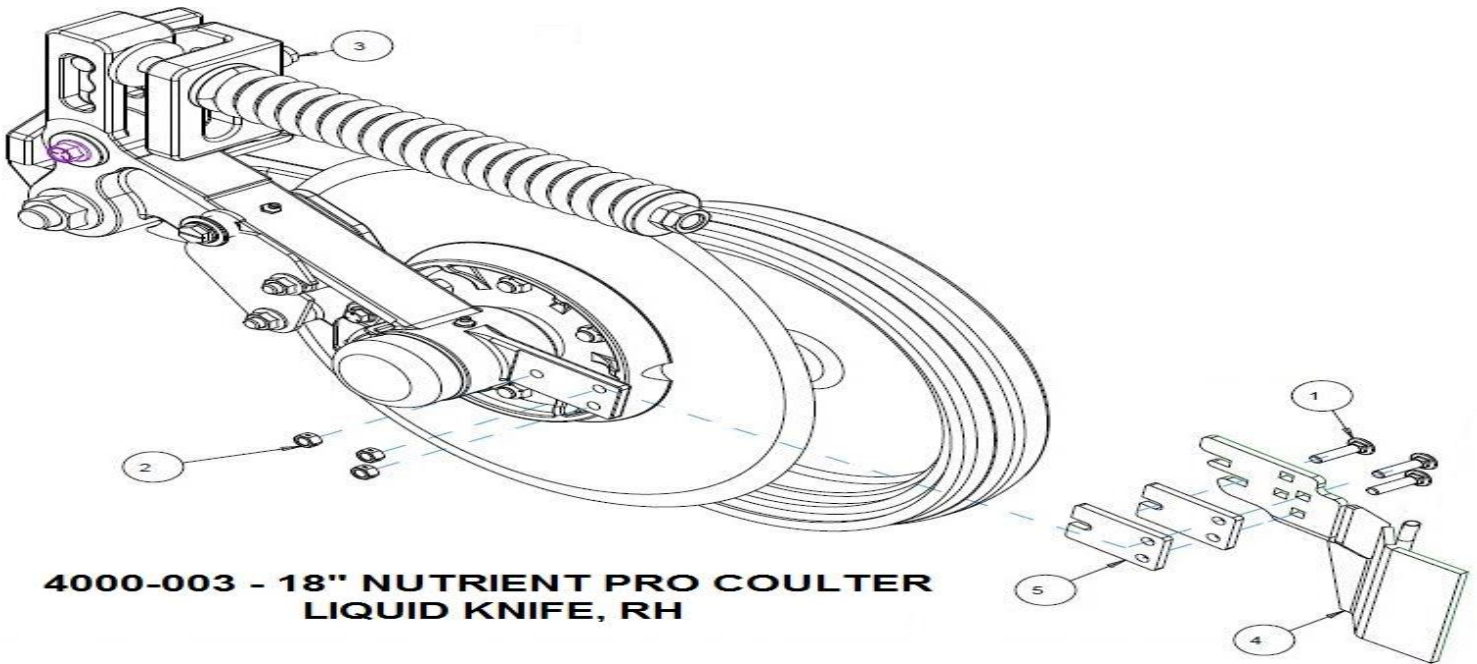
4000-002 PARTS IDENTIFICATION

**4000-002 - 18"
NUTRIENT PRO COULTER
DRY KNIFE, LH**



ITEM	PART NUMBER	DESCRIPTION	QUANTITY
1	2505-262	3/8-16 x 1 ½ CAR BOLT ZP	3
2	2520-255	3/8 – 16 LOCK HEX NUT ZP	3
3	4000-141	18" COULTER, LESS KNIFE, LH	1
4	4000-231	DRY FERTILIZER SPOUT W.A., LH	1
5	4000-370	RUBBER SHIM	2

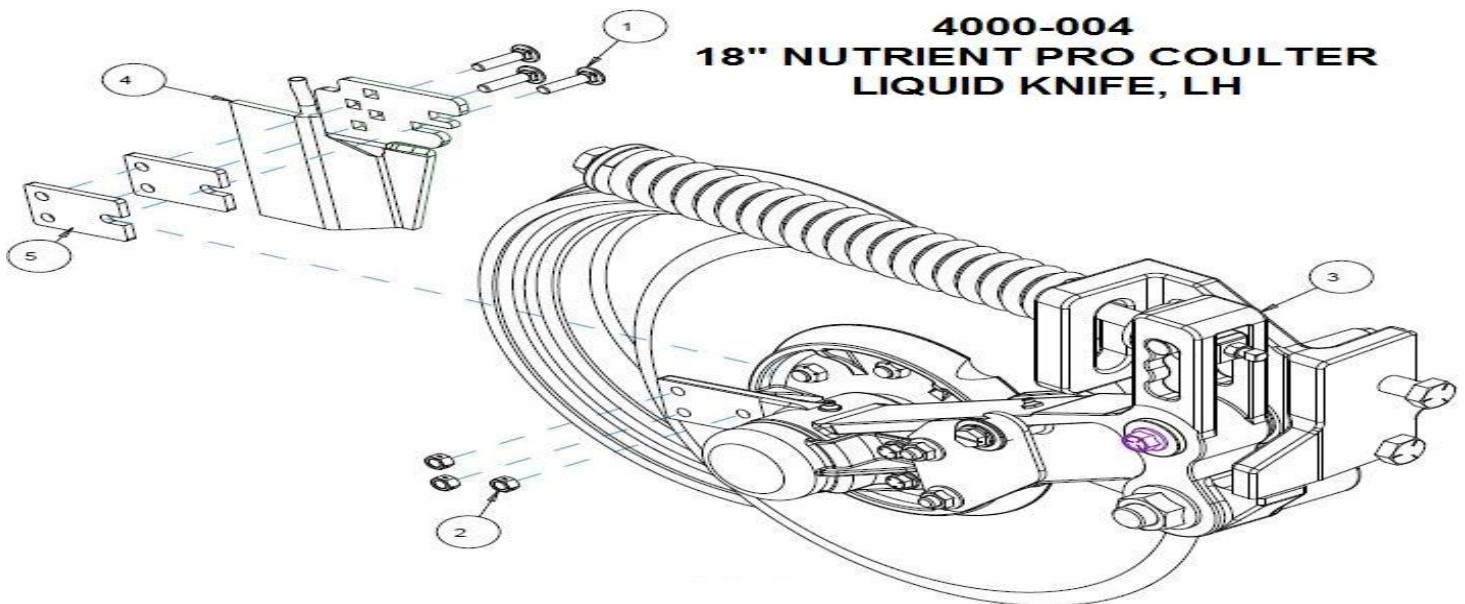
4000-003 PARTS IDENTIFICATION



**4000-003 - 18" NUTRIENT PRO COULTER
LIQUID KNIFE, RH**

ITEM	PART NUMBER	DESCRIPTION	QUANTITY
1	2505-262	3/8-16 x 1 ½ CAR BOLT ZP	3
2	2520-255	3/8 – 16 LOCK HEX NUT ZP	3
3	4000-140	18" COULTER, LESS KNIFE, RH	1
4	4000-232	LIQUID FERTILIZER SPOUT W.A., RH	1
5	4000-370	RUBBER SHIM	2

4000-004 PARTS IDENTIFICATION

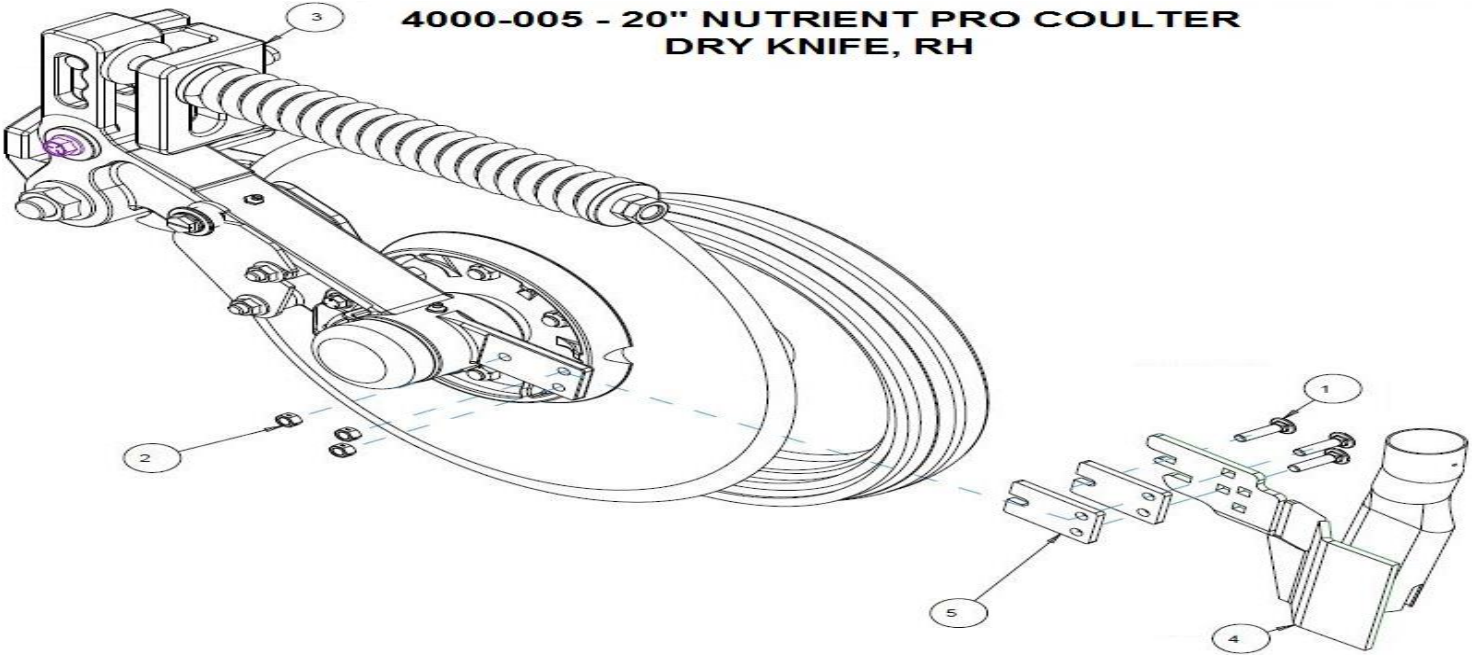


**4000-004
18" NUTRIENT PRO COULTER
LIQUID KNIFE, LH**

ITEM	PART NUMBER	DESCRIPTION	QUANTITY
1	2505-262	3/8-16 x 1 ½ CAR BOLT ZP	3
2	2520-255	3/8 – 16 LOCK HEX NUT ZP	3
3	4000-141	18" COULTER, LESS KNIFE, LH	1
4	4000-233	LIQUID FERTILIZER SPOUT W.A., LH	1
5	4000-370	RUBBER SHIM	2

4000-005 PARTS IDENTIFICATION

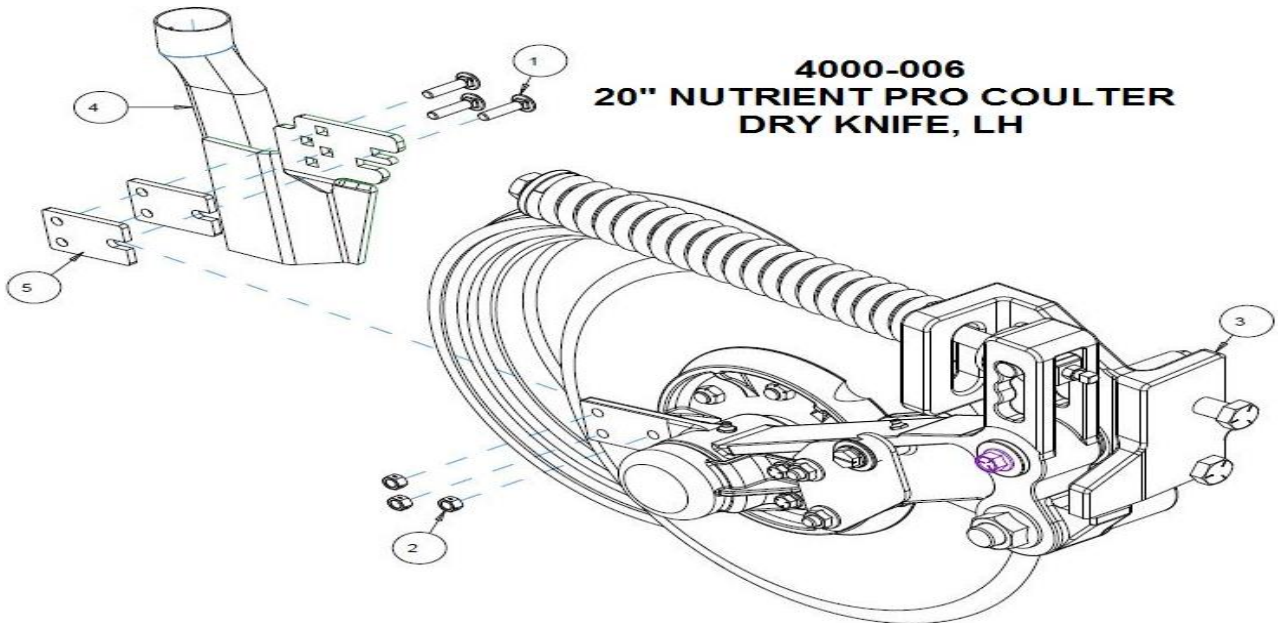
4000-005 - 20" NUTRIENT PRO COULTER DRY KNIFE, RH



ITEM	PART NUMBER	DESCRIPTION	QUANTITY
1	2505-262	3/8-16 x 1 ½ CAR BOLT ZP	3
2	2520-255	3/8 – 16 LOCK HEX NUT ZP	3
3	4000-142	20" COULTER, LESS KNIFE, RH	1
4	4000-230	DRY FERTILIZER SPOUT W.A., RH	1
5	4000-370	RUBBER SHIM	2

4000-006 PARTS IDENTIFICATION

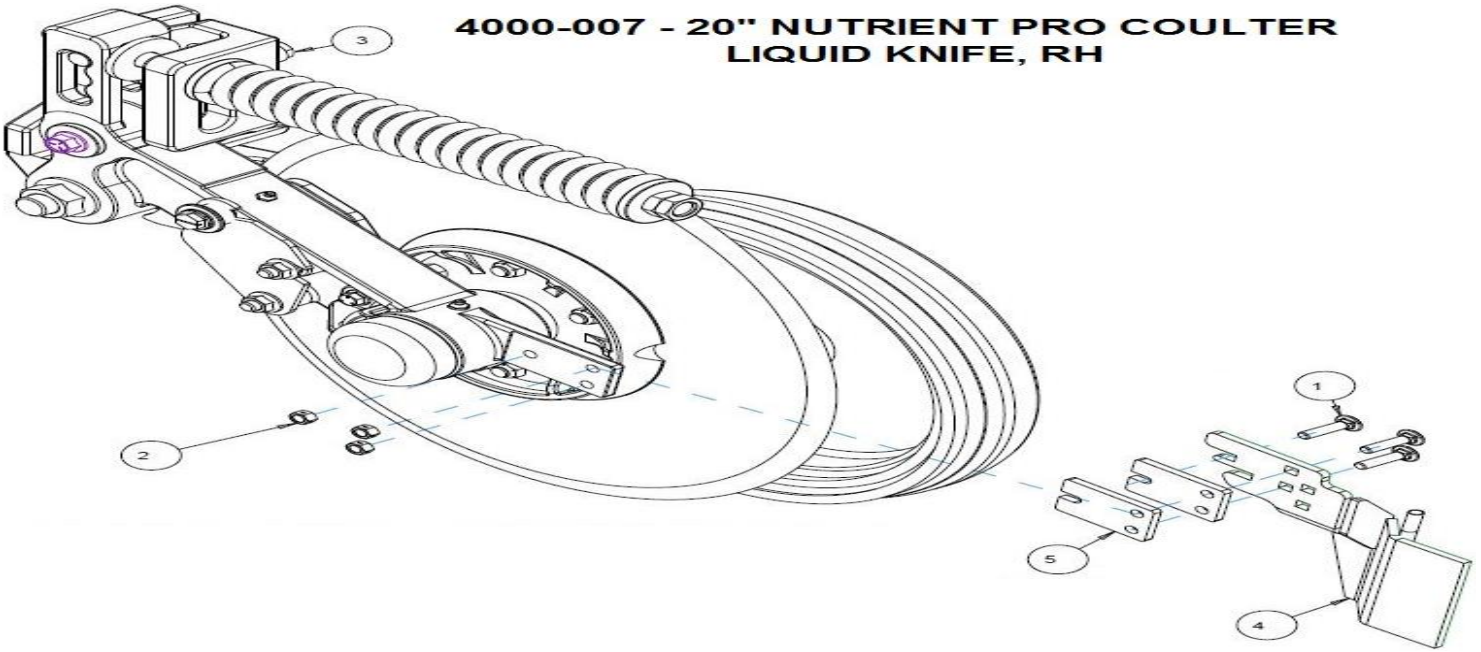
4000-006 20" NUTRIENT PRO COULTER DRY KNIFE, LH



ITEM	PART NUMBER	DESCRIPTION	QUANTITY
1	2505-262	3/8-16 x 1 ½ CAR BOLT ZP	3
2	2520-255	3/8 – 16 LOCK HEX NUT ZP	3
3	4000-143	20" COULTER, LESS KNIFE, LH	1
4	4000-231	DRY FERTILIZER SPOUT W.A., LH	1
5	4000-370	RUBBER SHIM	2

4000-007 PARTS IDENTIFICATION

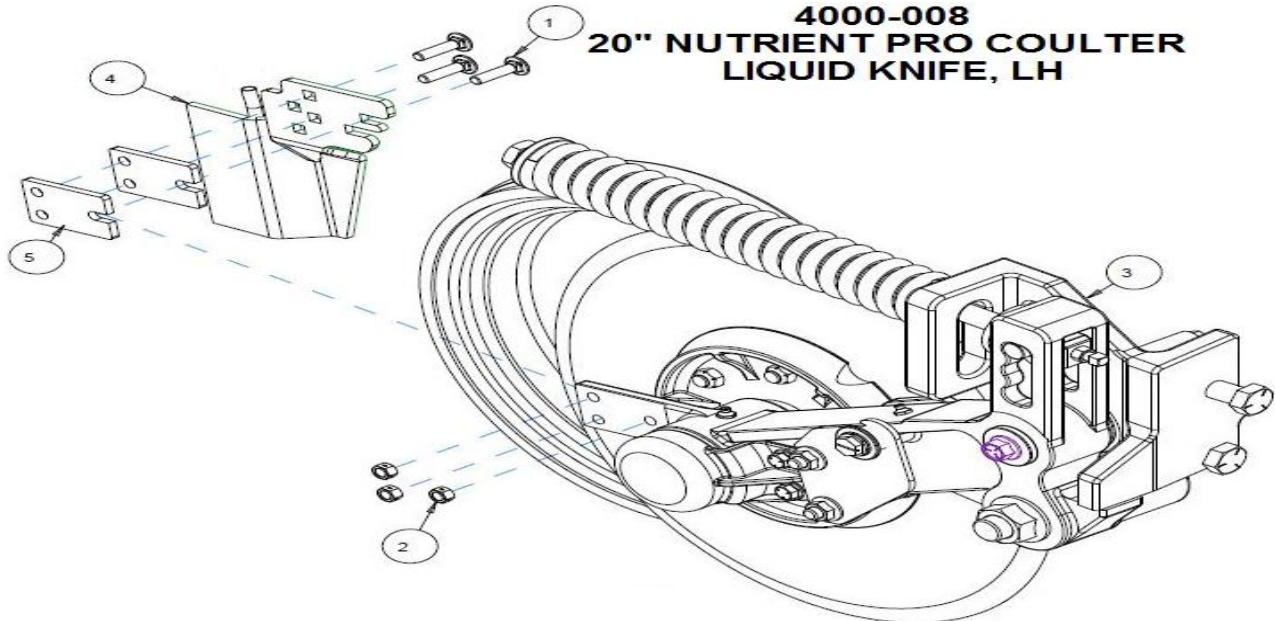
**4000-007 - 20" NUTRIENT PRO COULTER
LIQUID KNIFE, RH**



ITEM	PART NUMBER	DESCRIPTION	QUANTITY
1	2505-262	3/8-16 x 1 ½ CAR BOLT ZP	3
2	2520-255	3/8 – 16 LOCK HEX NUT ZP	3
3	4000-142	20" COULTER, LESS KNIFE, RH	1
4	4000-232	LIQUID FERTILIZER SPOUT W.A., RH	1
5	4000-370	RUBBER SHIM	2

4000-008 PARTS IDENTIFICATION

**4000-008
20" NUTRIENT PRO COULTER
LIQUID KNIFE, LH**



ITEM	PART NUMBER	DESCRIPTION	QUANTITY
1	2505-262	3/8-16 x 1 ½ CAR BOLT ZP	3
2	2520-255	3/8 – 16 LOCK HEX NUT ZP	3
3	4000-143	20" COULTER, LESS KNIFE, LH	1
4	4000-233	LIQUID FERTILIZER SPOUT W.A., LH	1
5	4000-370	RUBBER SHIM	2

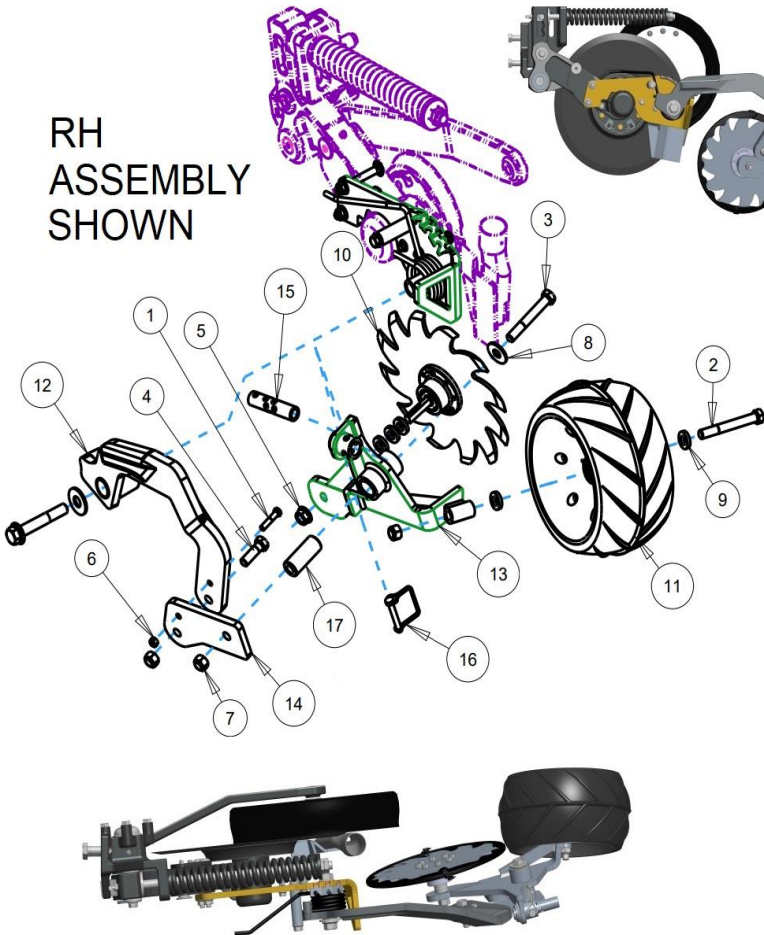
4000-020A-LH & 4000-020A-RH PARTS IDENTIFICATION

LH ASSEMBLY SHOWN

ITEM	PART NO.	DESCRIPTION	QTY
1	2502-261	3/8-16 X 1 HFS SERRATED GR 5 ZP	1
2	2502-308	1/2-13 X 4 HHFS GR8, ZP	1
3	2502-506	3/4-10 X 4 1/2 HHFS GR8 ZP	1
4	2505-263	3/8-16 X 3 1/4 CARBLT GR5 ZP	2
5	2505-351	1/2-13 X 4 CARBLT GR 5 ZP	2
6	2520-258	3/8-16HEX FLANGE LCK NUT ZP	2
7	2520-361	1/2-13 FLANGE WHZLCK HXNT, GR 5, ZP	3
8	2520-520	3/4-10 FLANGED HEX LOCKNUT, GR8, ZP	1
9	2526-501	3/4 STANDARD FLATWASHER ZP	1
10	4000-237	NUTRIENT PRO TANDEM CLOSING WHEEL MOUNT BRACKET, LH	1
	4000-236	NUTRIENT PRO TANDEM CLOSING WHEEL MOUNT BRACKET, RH	1
11	4000-391	MOUNT BRACKET SUPPORT BUSHING	2
12	4000-392	TANDEM ARM PIVOT BUSHING	1
13	4000-393	TANDEM ARM UPSTOP BUSHING	1
14	4000-394	HEX COUPLER BUSHING	1
15	4000-395	PAINTED LH CLOSING ARM TORSION SPRING	1
	6200-467	PAINTED RH CLOSING ARM TORSION SPRING	1

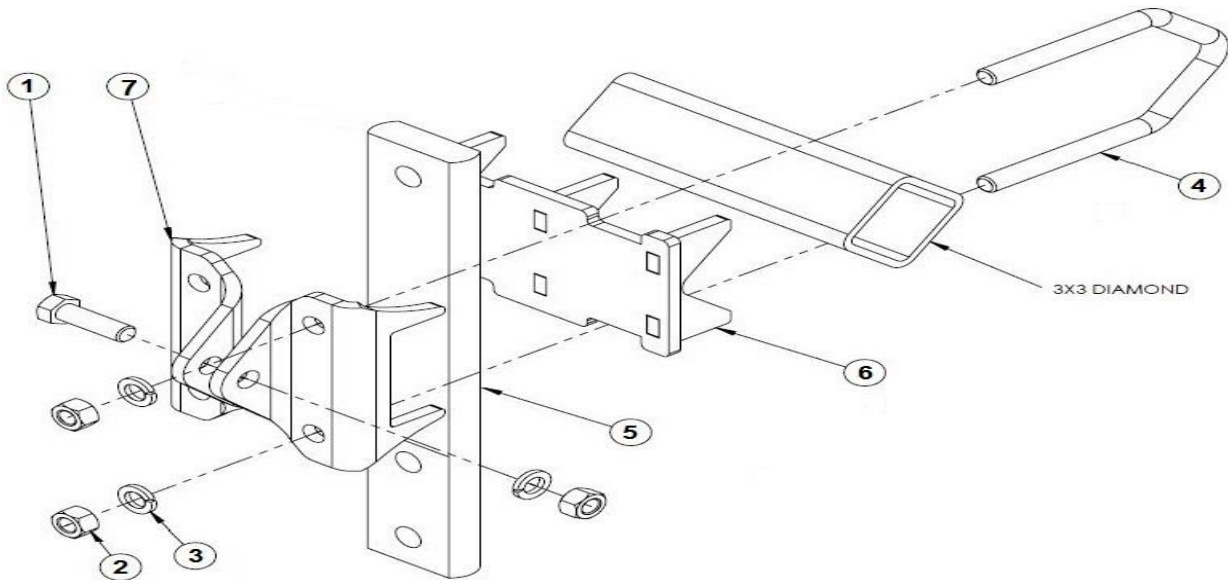


RH ASSEMBLY SHOWN



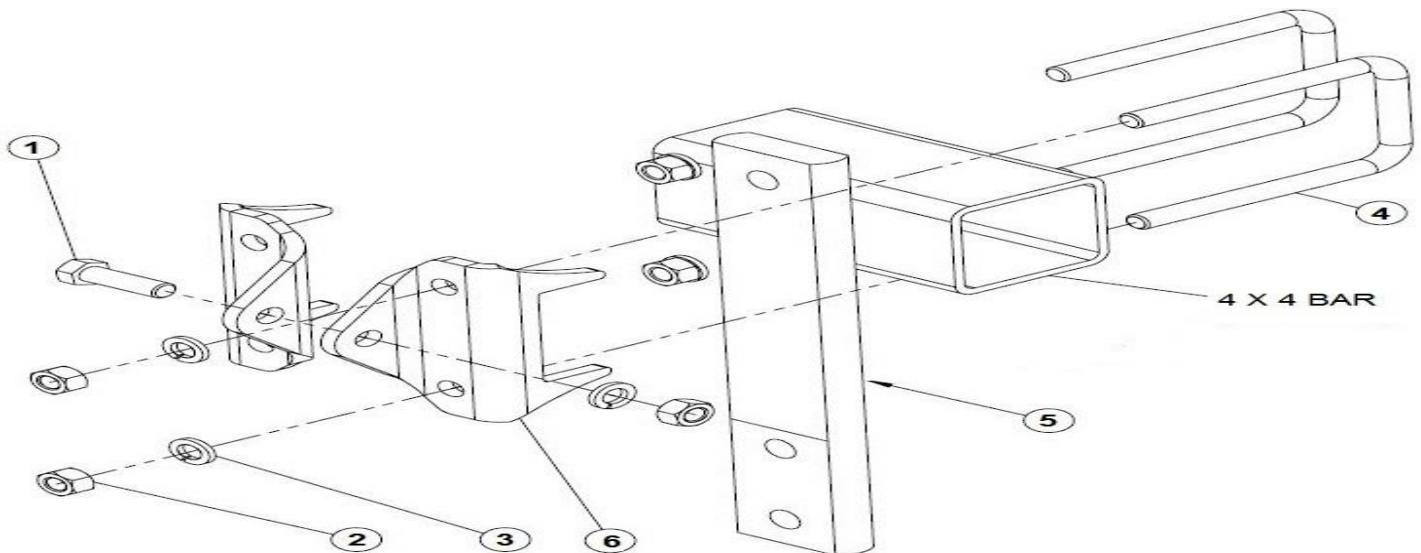
ITEM	PART NO.	DESCRIPTION	QTY
1	2502-245	3/8-16 X 1-3/4 HHCS GR 5 ZP	1
2	2502-327	5/8-11 X 5 HHCS GR.5 ZP	1
3	2502-334	5/8-11 X 4-1/2 HHCS GR5 ZP	1
4	2502-391	5/8-11 X 2 HHCS GR 5 ZP	1
5	2520-465	5/8-11 SER. FLANGE NUT, GR 8, ZP	1
6	2520-601	3/8-16 HEX TOP LOCK, GR. C, ZP	1
7	2520-603	5/8-11 HEX TOP LOCK, GR. C, ZP	3
8	2526-451	5/8 STD FLATWASHER ZP	1
9	2526-455	WASH 21/32" X 1 1/4" X 1/4	5
10	2966-102-ST	SHARKTOOTH ASSEMBLY, R.H.	1
	2966-103-ST	SHARKTOOTH ASSEMBLY, L.H.	1
11	6200-363	6.5 X 12 PRESS	1
12	10000-113-RH	CLOSING ARM RH W/ BUSHING	1
	10000-113-LH	CLOSING ARM LH W/ BUSHING	1
13	10000-205-RH	TANDEM RH CLOSER W.A.	1
	10000-205-LH	TANDEM LH CLOSER W.A.	1
14	10000-308	TANDEM MOUNT PLATE	1
15	10000-330	STANDARD ADJUSTMENT TUBE	1
16	10000-334	3/8" WIRE PIN	1
17	10000-361	SEALER PIVOT BUSHING	1

4000-040 PARTS IDENTIFICATION



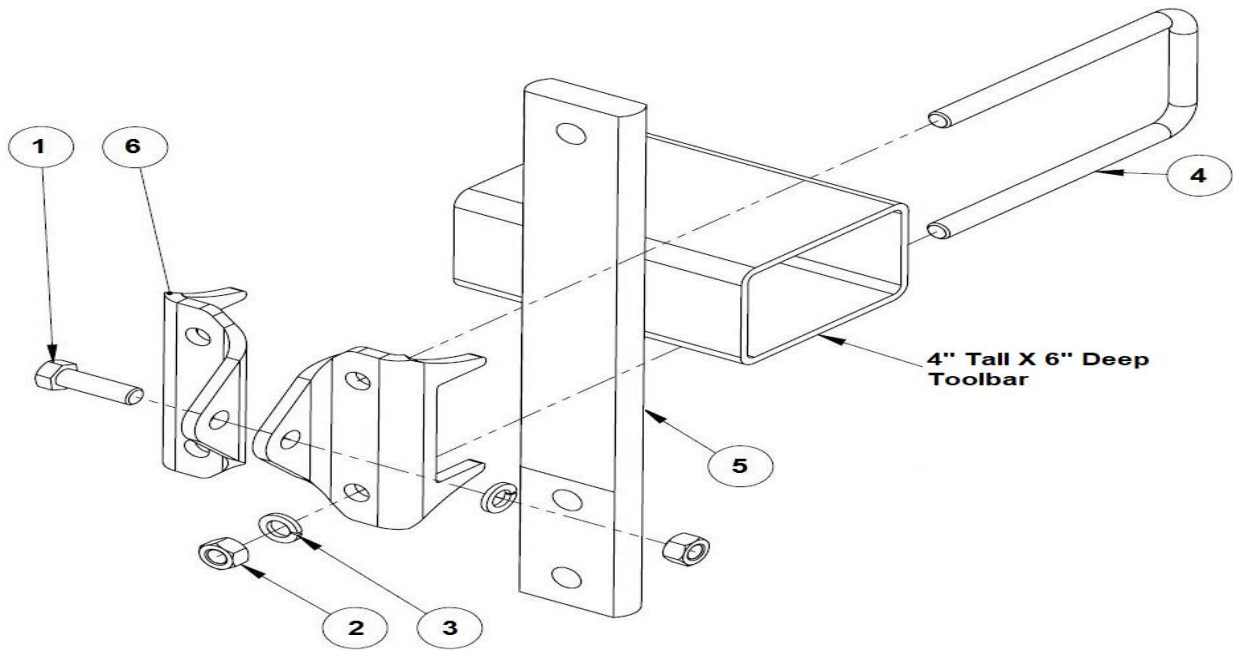
ITEM	PART NUMBER	DESCRIPTION	QUANTITY
1	2502-391	5/8 – 11 X 2 HHCS GR 5 ZP	1
2	2520-452	5/8 – 11 HEXNUT ZP, GR 8	5
3	2525-451	5/8 MEDIUM LOCKWASHER ZP	5
4	2570-132	5/8 – 11 X 3 X 3 DIAMOND U-BOLT ZP	2
5	4000-080	21" Flat Shank (NOT INCLUDED IN KIT)	1
	4000-081	18" Flat Shank (NOT INCLUDED IN KIT)	1
6	4000-235	MOUNT W.A., 3 X 3 DIAMOND	1
7	4000-371	MOUNT PLATE, 4" TUBE	2

4000-041 PARTS IDENTIFICATION



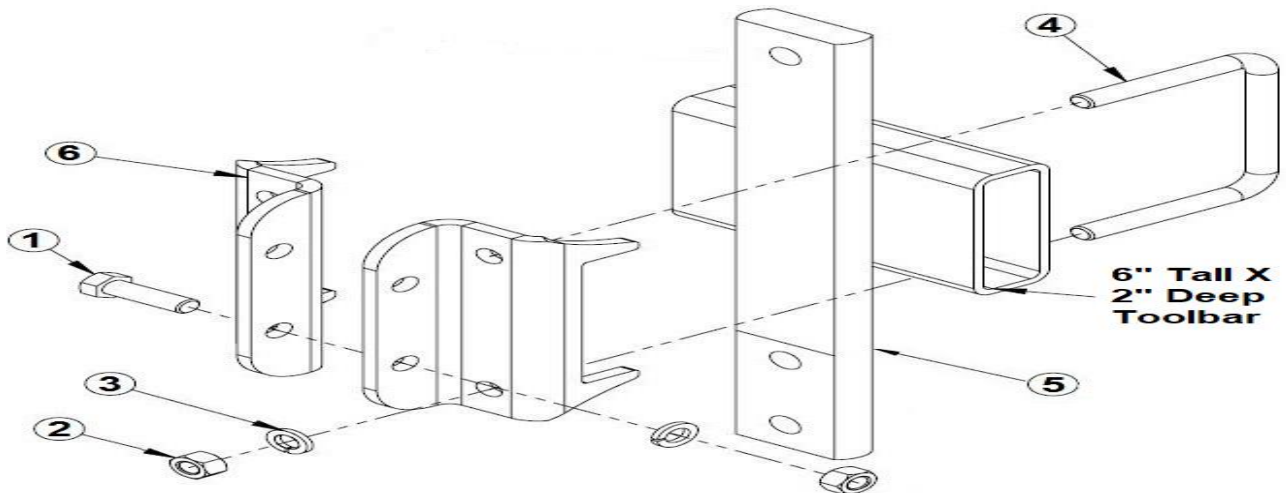
ITEM	PART NUMBER	DESCRIPTION	QUANTITY
1	2502-391	5/8 – 11 X 2 HHCS GR 5 ZP	1
2	2520-452	5/8 – 11 HEXNUT ZP, GR 8	5
3	2525-451	5/8 MEDIUM LOCKWASHER ZP	5
4	2570-590	5/8 – 11 X 4 X 6 1/2 U-BOLT ZP	2
5	4000-080	21" Flat Shank (NOT INCLUDED IN KIT)	1
	4000-081	18" Flat Shank (NOT INCLUDED IN KIT)	1
6	4000-371	MOUNT PLATE, 4" TUBE	2

4000-042 PARTS IDENTIFICATION



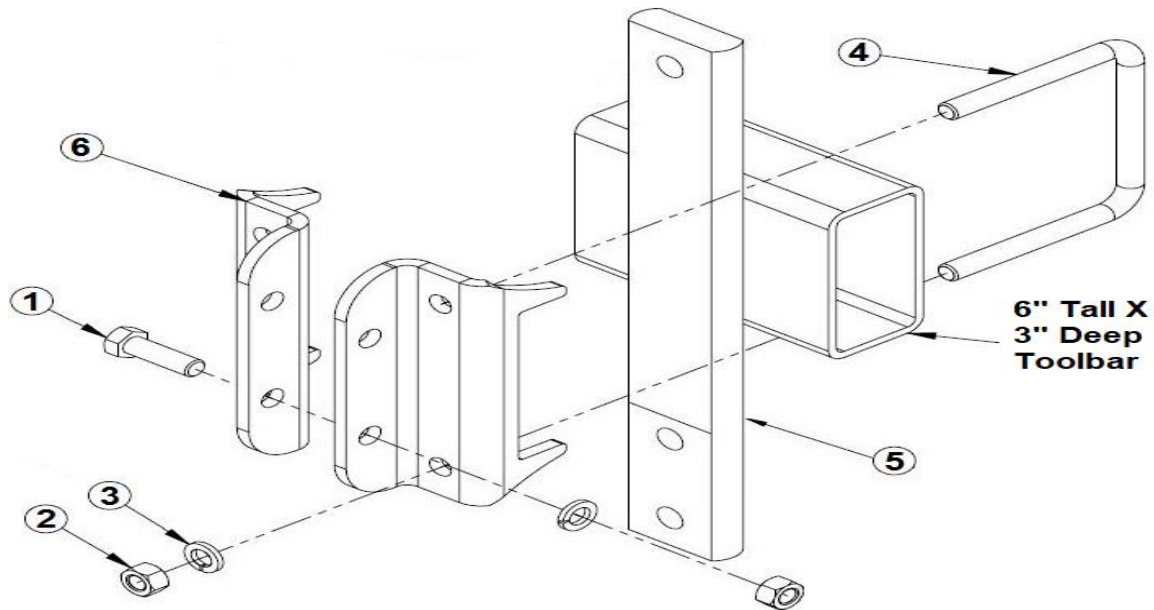
ITEM	PART NUMBER	DESCRIPTION	QUANTITY
1	2502-391	5/8 – 11 X 2 HHCS GR 5 ZP	1
2	2520-452	5/8 – 11 HEXNUT ZP, GR 8	5
3	2525-451	5/8 MEDIUM LOCKWASHER ZP	5
4	2570-592	5/8 – 11 X 4 X 8 – ½ U-BOLT ZP	2
5	4000-080	21" Flat Shank (NOT INCLUDED IN KIT)	1
	4000-081	18" Flat Shank (NOT INCLUDED IN KIT)	1
6	4000-371	MOUNT PLATE, 4" TUBE	2

4000-043 PARTS IDENTIFICATION



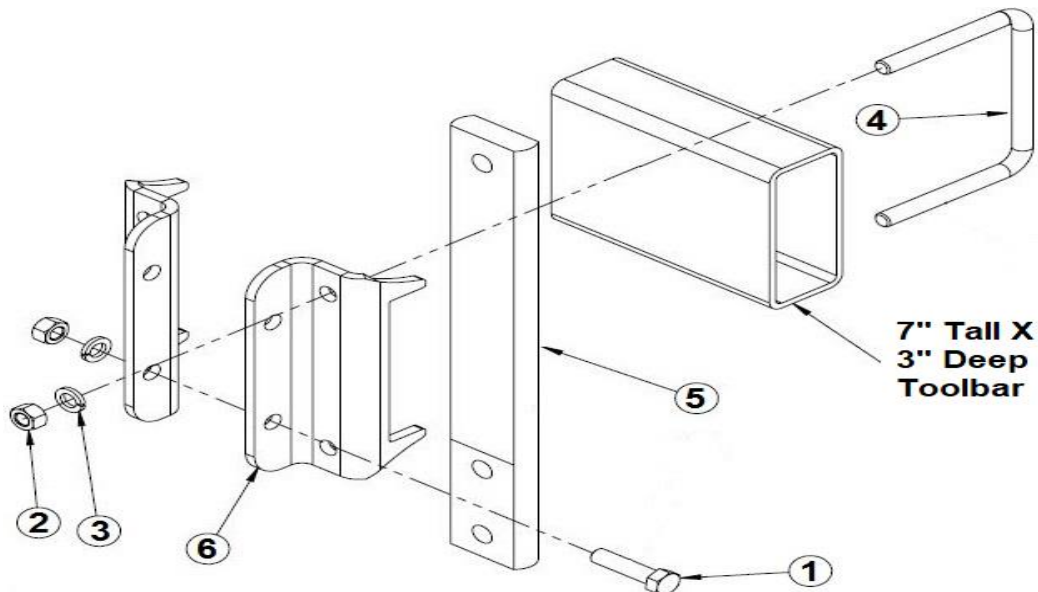
ITEM	PART NUMBER	DESCRIPTION	QUANTITY
1	2502-391	5/8 – 11 X 2 HHCS GR 5 ZP	2
2	2520-452	5/8 – 11 HEXNUT ZP, GR 8	6
3	2525-451	5/8 MEDIUM LOCKWASHER ZP	6
4	2570-763	5/8 – 11 X 6 X 4 – ½ U-BOLT ZP	2
5	4000-080	21" Flat Shank (NOT INCLUDED IN KIT)	1
	4000-081	18" Flat Shank (NOT INCLUDED IN KIT)	1
6	4000-371	MOUNT PLATE, 4" TUBE	2

4000-044 PARTS IDENTIFICATION



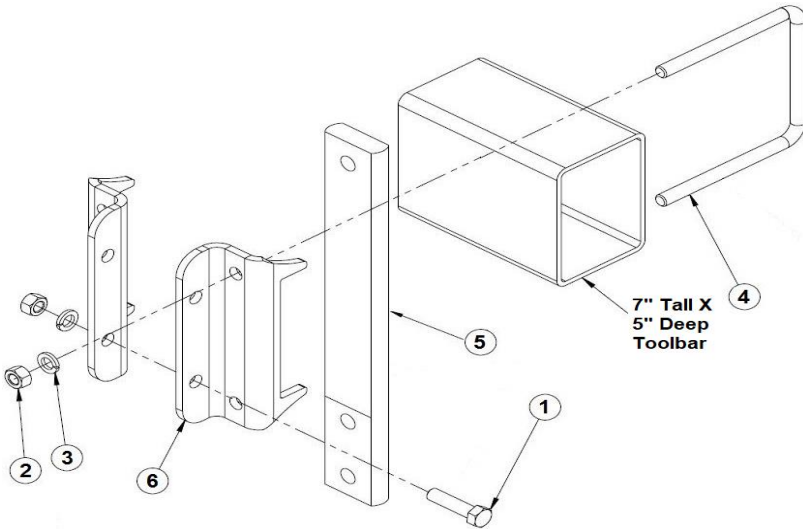
ITEM	PART NUMBER	DESCRIPTION	QUANTITY
1	2502-391	5/8 – 11 X 2 HHCS GR 5 ZP	2
2	2520-452	5/8 – 11 HEXNUT ZP, GR 8	6
3	2525-451	5/8 MEDIUM LOCKWASHER ZP	6
4	2570-765	5/8 X 6 X 5 – 1/2 U-BOLT ZP	2
5	4000-080	21" Flat Shank (NOT INCLUDED IN KIT)	1
	4000-081	18" Flat Shank (NOT INCLUDED IN KIT)	1
6	4000-371	MOUNT PLATE, 4" TUBE	2

4000-045 PARTS IDENTIFICATION



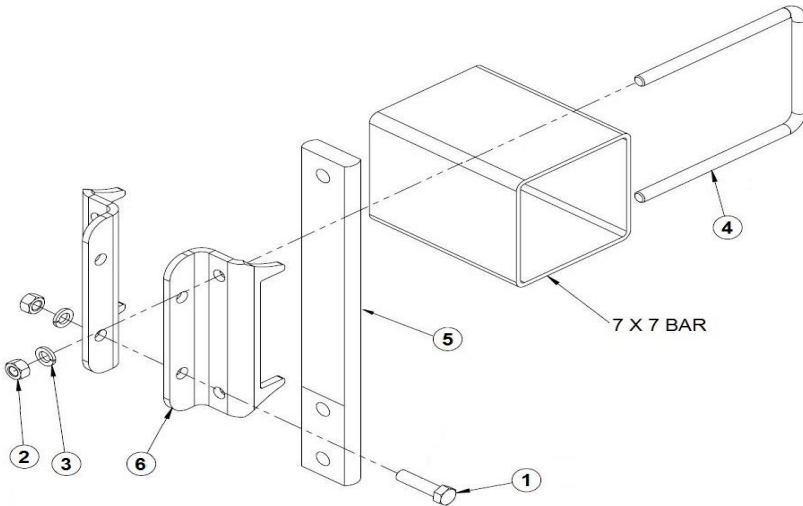
ITEM	PART NUMBER	DESCRIPTION	QUANTITY
1	2502-393	5/8 – 11 X 2 – 1/2 HHCS GR 5 ZP	2
2	2520-452	5/8 – 11 HEXNUT ZP, GR 8	6
3	2525-451	5/8 MEDIUM LOCKWASHER ZP	6
4	2570-779	5/8 – 11 X 7 X 5 – 1/2 U-BOLT ZP	2
5	4000-080	21" Flat Shank (NOT INCLUDED IN KIT)	1
	4000-081	18" Flat Shank (NOT INCLUDED IN KIT)	1
6	4000-371	MOUNT PLATE, 4" TUBE	2

4000-046 PARTS IDENTIFICATION



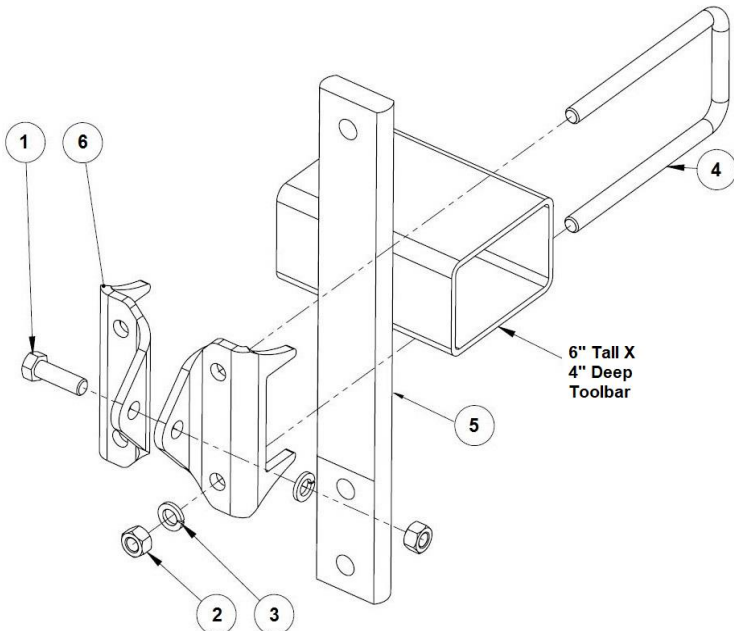
ITEM	PART #	DESCRIPTION	QTY
1	2502-393	5/8 – 11 X 2 – 1/2 HHCS GR 5 ZP	2
2	2520-452	5/8 – 11 HEXNUT ZP, GR 8	6
3	2525-451	5/8 MEDIUM LOCKWASHER ZP	6
4	2570-780	5/8 – 11 X 7 X 7 – 1/2 U-BOLT ZP	2
5	4000-080	21" Flat Shank (NOT INCLUDED IN KIT)	1
	4000-081	18" Flat Shank (NOT INCLUDED IN KIT)	1
6	4000-371	MOUNT PLATE, 4" TUBE	2

4000-047 PARTS IDENTIFICATION



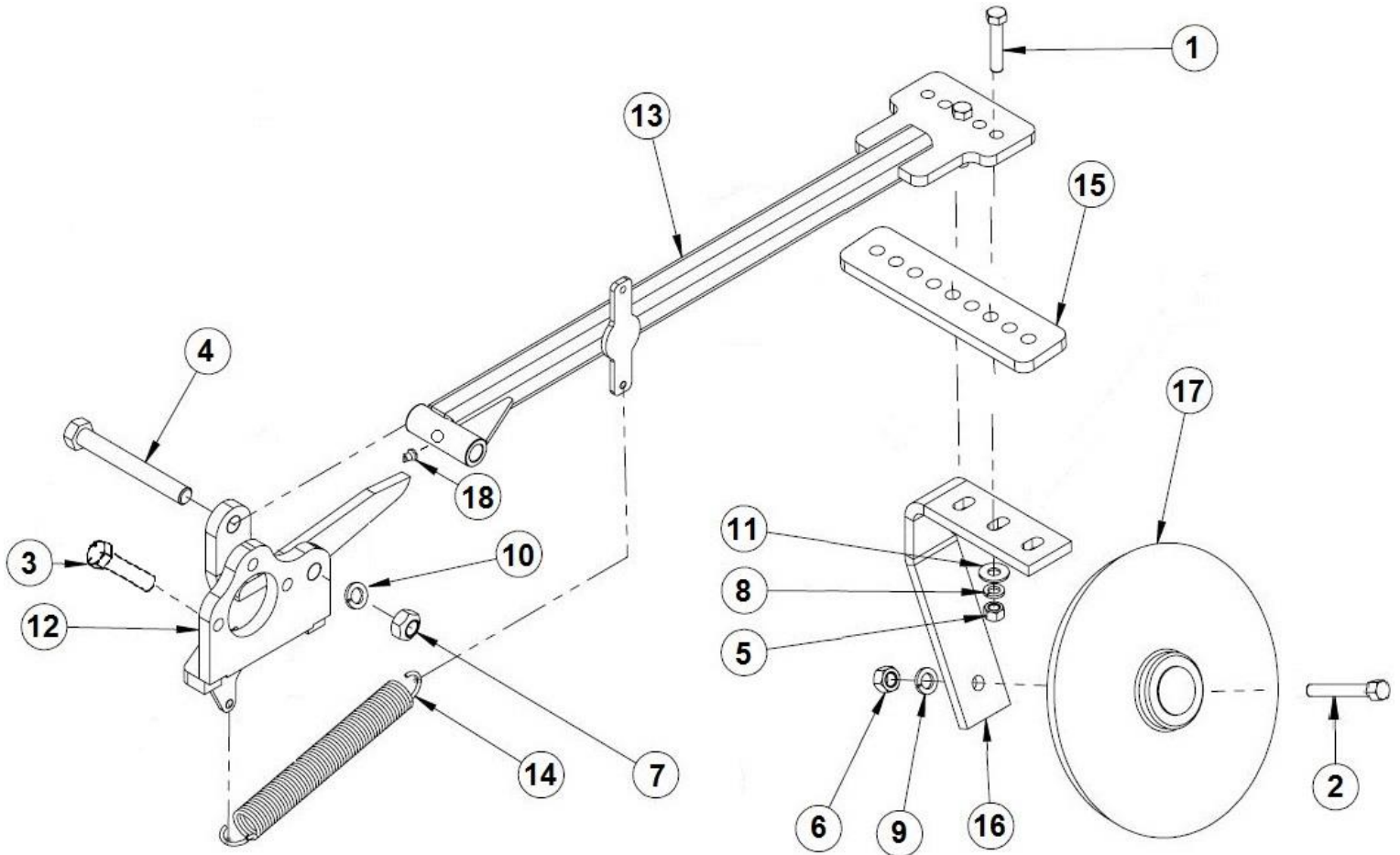
ITEM	PART #	DESCRIPTION	QTY
1	2502-393	5/8 – 11 X 2 – 1/2 HHCS GR 5 ZP	2
2	2520-452	5/8 – 11 HEXNUT ZP, GR 8	6
3	2525-451	5/8 MEDIUM LOCKWASHER ZP	6
4	2570-781	5/8 – 11 X 7 X 9 – 1/2 U-BOLT ZP	2
5	4000-080	21" Flat Shank (NOT INCLUDED IN KIT)	1
	4000-081	18" Flat Shank (NOT INCLUDED IN KIT)	1
6	4000-371	MOUNT PLATE, 4" TUBE	2

4000-048 PARTS IDENTIFICATION



ITEM	PART #	DESCRIPTION	QTY
1	2502-391	5/8 – 11 X 2 HHCS GR 5 ZP	2
2	2520-452	5/8 – 11 HEXNUT ZP, GR 8	6
3	2525-451	5/8 MEDIUM LOCKWASHER ZP	6
4	2570-782	5/8 – 11 X 6 X 6 U-BOLT ZP	2
5	4000-080	21" Flat Shank (NOT INCLUDED IN KIT)	1
	4000-081	18" Flat Shank (NOT INCLUDED IN KIT)	1
6	4000-371	MOUNT PLATE, 4" TUBE	2

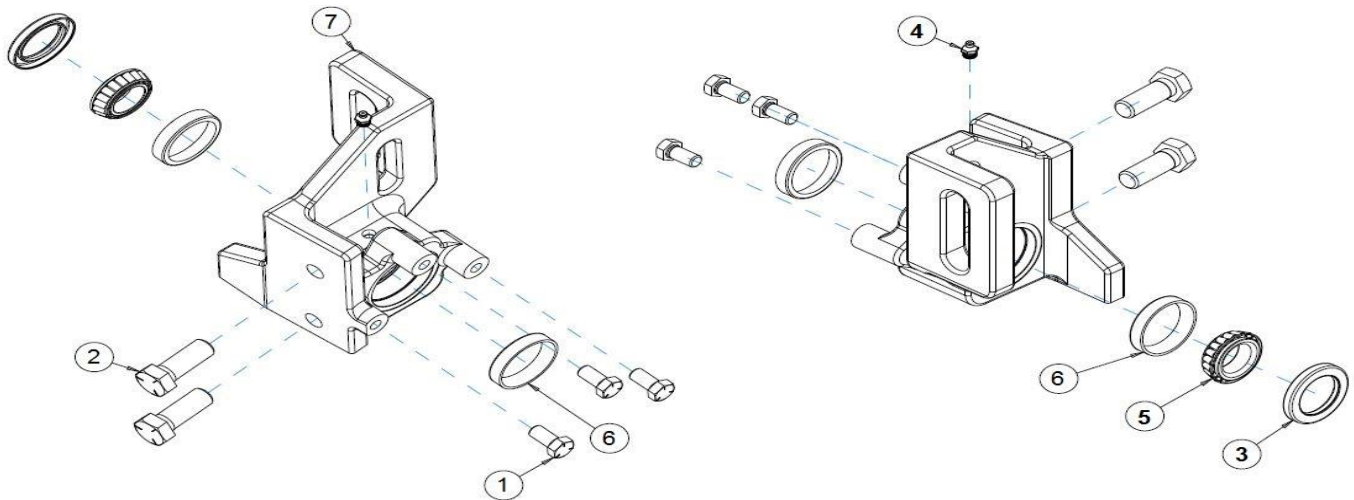
4000-070 & 4000-071 PARTS IDENTIFICATION



ITEM 17 CLOSING WHEEL OPTION NOT INCLUDED IN 4000-070 OR 4000-071

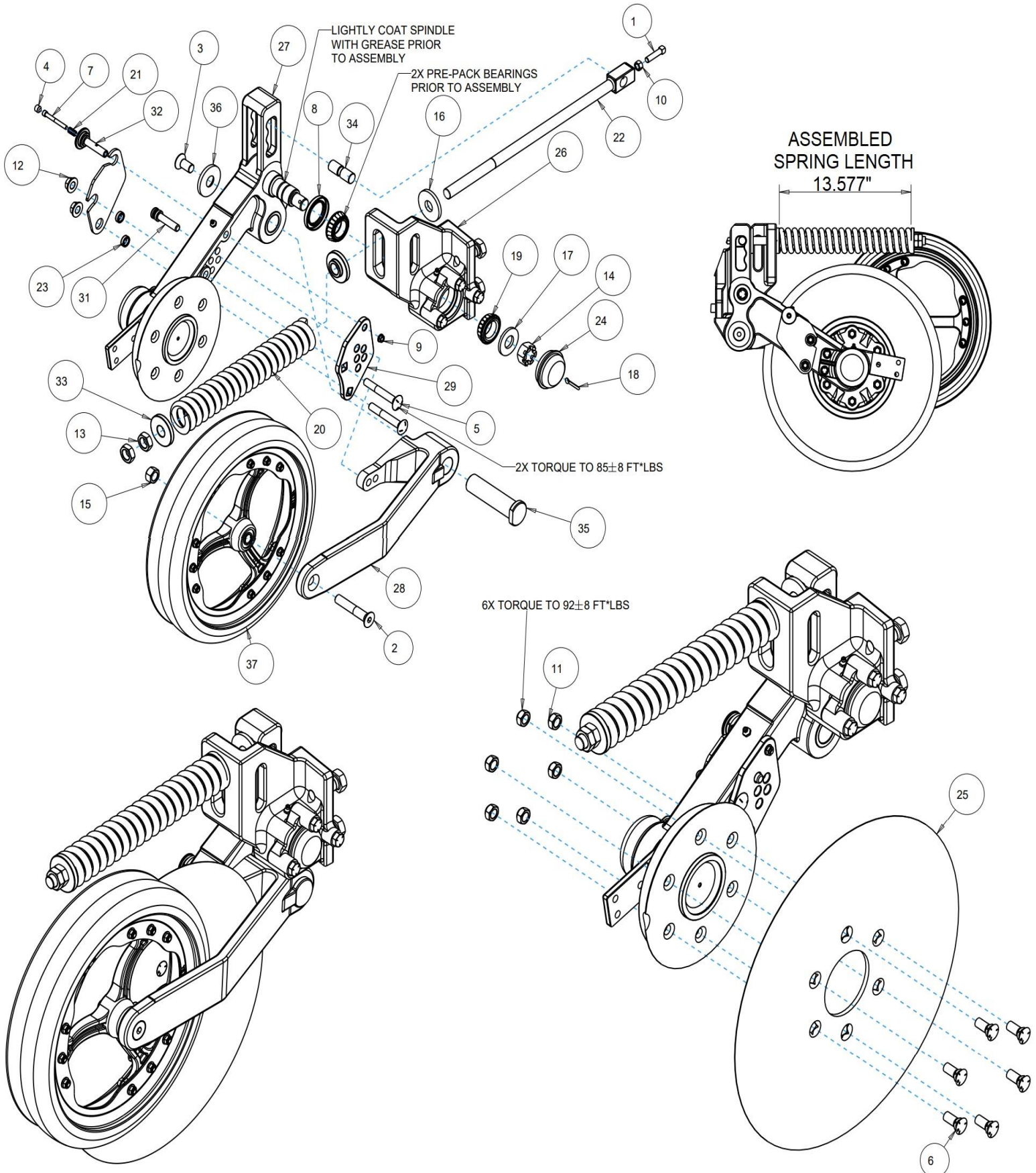
ITEM	PART #	DESCRIPTION	QTY
1	2502-296	1/2 - 13 X 2 - 1/2 HHCS GR 5 ZP	2
2	2502-325	5/8 - 11 X 3 HHCS GR 5 ZP	1
3	2502-351	1/2 - 13 X 2 HHCS GR 5 ZP	3
4	2502-510	3/4 - 10 X 6 HHCS GR 5 ZP	1
5	2520-352	1/2 - 13 HEX NUT, GR 2 SP	2
6	2520-452	5/8 - 11 HEX NUT, GR 8 ZP	1
7	2520-502	3/4 - 10 HEX JAM NUT, GR 2 ZP	1
8	2525-352	1/2 MEDIUM LOCK WASHER ZP	2
9	2525-451	5/8 MEDIUM LOCK WASHER ZP	1
10	2525-501	3/4 MEDIUM LOCK WASHER	1
11	2526-355	1/2 FLAT WASHER HARNENED ZP	2
12	4000-262	SEALER PIVOT W.A., LH	1
	4000-263	SEALER PIVOT W.A., RH (SHOWN)	1
13	4000-264	SEALER ARM W.A.	1
14	4000-376	EXTENSION SPRING	1
15	4000-377	SPACER	1
16	4000-378	SEALER BRACKET	1
17	2966-116-ST	RH SHARKTOOTH WHEEL ASSEMBLY	1
	2966-117-ST	LH SHARKTOOTH WHEEL ASSEMBLY	1
	6200-115	CAST CLOSER WHEEL ASSEMBLY (SHOWN)	1
18	2533-110	1/4 - ZERK STRAIGHT SELF TAP	1

4000-152 & 4000-153 PARTS IDENTIFICATION



ITEM	PART NUMBER	DESCRIPTION	QUANTITY
1	2502-292	1/2 - 13 X 1 HHCS GR 5 YD	3
2	2502-503	3/4 - 10 X 2 HHCS GR 5 ZP	2
3	2515-845	1.625" ID X 2.438" OD OIL SEAL (NOT INCLUDED)	1
4	2533-100	1/8 - 27 ZERK	1
5	2550-027	CONE, LM67048, KOYO (NOT INCLUDED)	1
6	2550-029	CUP, LM67010	2
7	4000-472	COULTER PIVOT, LH (CASTING), PAINTED (SHOWN)	1
	4000-473	COULTER PIVOT, RH (CASTING), PAINTED	1

4000-140 & 4000-142 PARTS IDENTIFICATION



4000-140 – 18" COULTER, LESS KNIFE, RH (SHOWN)
4000-142 – 20" COULTER, LESS KNIFE, RH

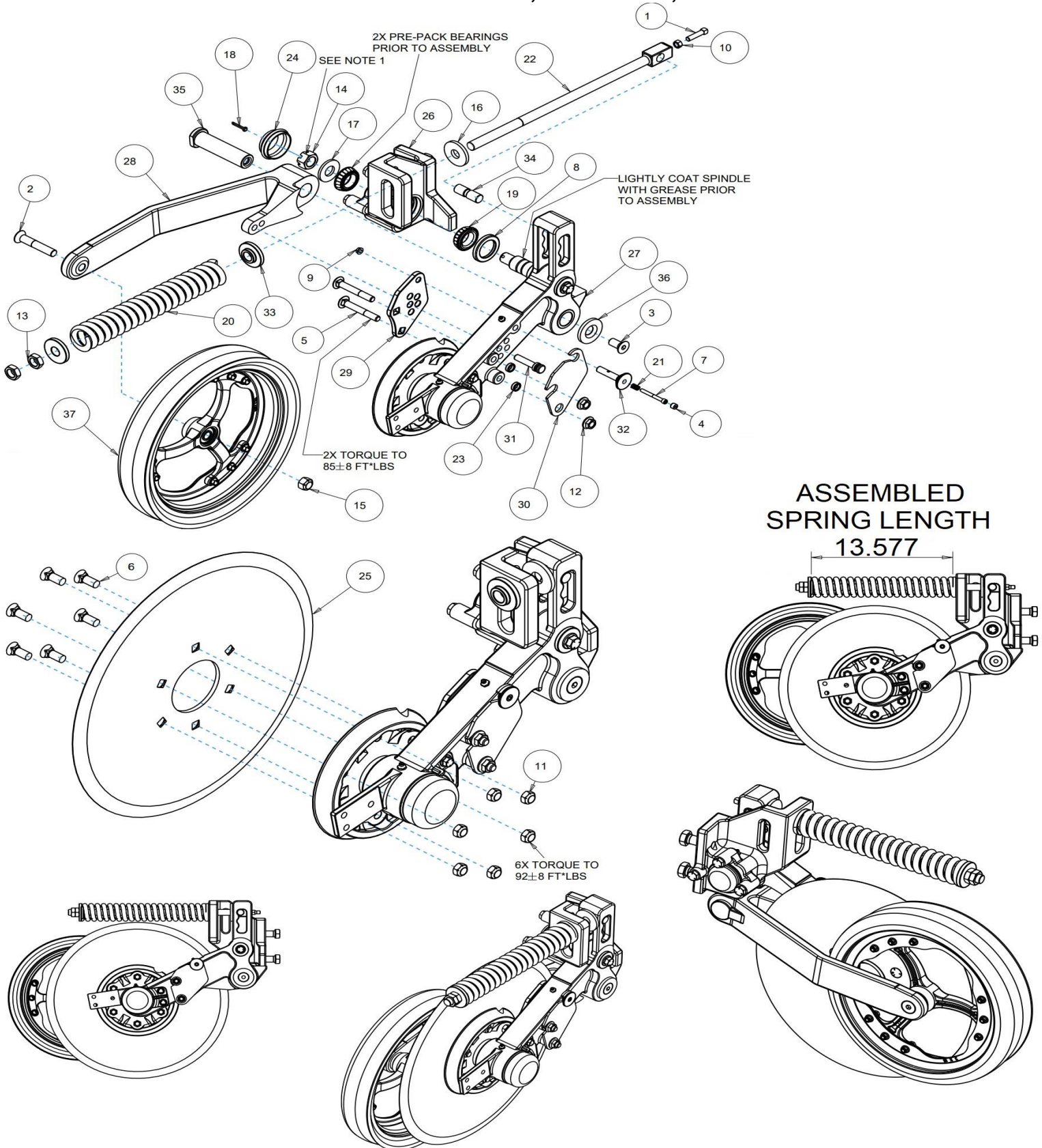
4000-140 & 4000-142 PARTS IDENTIFICATION

ITEM	PART NUMBER	DESCRIPTION	QUANTITY
1	2502-262	3/8-16 X 1 SQ. HCPSS, GR5 ZP	1
2	2502-803	5/8-11 X 3 1/2 JSFHCS GR8 ZP	1
3	2502-804	5/8-11 X 1 1/4 JSFHCS GR8 ZP	1
4	2503-204	7/16-14 X .375 HSSS ZP	1
5	2505-348	1/2-13 X 3 1/2 CAR BOLT GR 5 ZP	2
6	2506-308	1/2-13 X 1 1/4 # 3 PLOW BOLT GR 5 ZP	6
7	2510-104	1/4-20 X 2 1/4 SHCS GR 5 ZP	1
8	2515-845	1.625"ID X 2.438"OD OIL SEAL	1
9	2520-162	1/4-20 HEX FLANGE NUT GR B ZP	1
10	2520-251	3/8-16 HEX NUT ZP	1
11	2520-362	1/2-13 HEX LCK NUT GR C ZP	6
12	2520-368	1/2-13 HEX FLANGE NUT GR C ZP	2
13	2520-502	3/4-10 HEX JAM NUT ZYD	2
14	2520-545	HEX SLOTTED NUT 7/8-14 UNF	1
15	2520-603	5/8-11 HEX TOP LOCK GR C ZP	1
16	2527-568	SAFETY WASHER	1
17	2527-569	WASHER	1
18	2531-105	3/16 X 1 1/2 COTTER PINS ZP	1
19	2550-027	CONE, LM67048, KOYO	1
20	2550-797	SPRING	1
21	2550-798	SPRING, COMPRESSION	1
22	2570-783	THREADED ROD	1
23	2570-990	SUPPORT BUSHING	2
24	2570-991	HUB CAP	1
25	2571-101	18" BLADE (4000-140)	1
	2571-102	20" BLADE (4000-142)	1
26	4000-153	PIVOT/BEARING ASSEMBLY RH	1
27	4000-155	COULTER ARM ASSEMBLY RH	1
28	4000-407	GAUGE WHEEL ARM	1
29	4000-411	DEPTH CONTROL BACK PLATE	1
30	4000-412	COVER PLATE	1
31	4000-417	DEPTH CONTROL PIN	1
32	4000-474	DEPTH CONTROL LOCK PIN	1
33	4000-476	SPRING WASHER	2
34	4000-478	THREADED ROD PIN	1
35	4000-480	GAUGE WHEEL ARM SHAFT (2018)	1
36	4000-481	WASHER (COUNTERSUNK)	1
37	6000-072	3" X 16" GAUGE WHEEL, TRI SPOKE, REVERSED	1

4000-141 & 4000-143 PARTS IDENTIFICATION

4000-141 – 18" COULTER, LESS KNIFE, LH

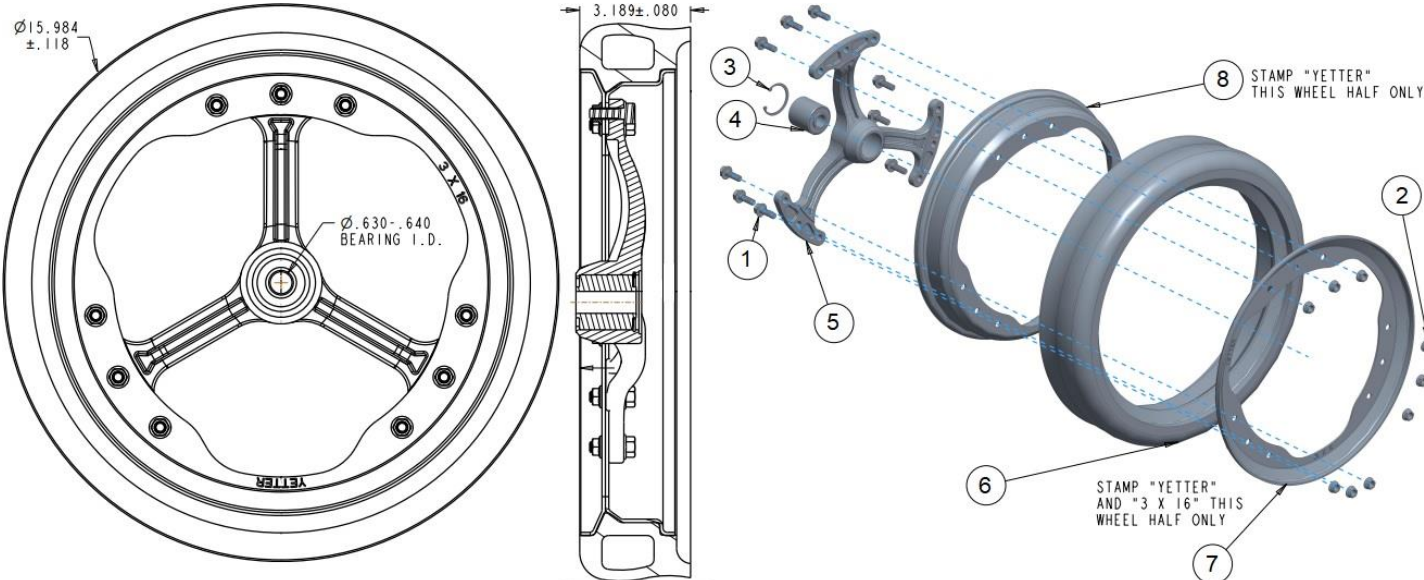
4000-143 – 20" COULTER, LESS KNIFE, LH



4000-141 & 4000-143 PARTS IDENTIFICATION

ITEM	PART NUMBER	DESCRIPTION	QUANTITY
1	2502-262	3/8-16 X 1 SQ. HCPSS, GR5 ZP	1
2	2502-803	5/8-11 X 3 1/2 HSFHCS GR 8 ZP	1
3	2502-804	5/8-11 X 1 1/4 HSFHCS GR 8 ZP	1
4	2503-204	7/16-14 X .375 HSSS ZP	1
5	2505-348	1/2-13 X 3 1/2 CAR BOLT GR 5 ZP	2
6	2506-308	1/2-13 X 1 1/4 # 3 PLOW BOLT GR 5 ZP	6
7	2510-104	1/4-20 x 2 1/4 SHCS GR 5 ZP	1
8	2515-845	1.625"ID X 2.438"OD OIL SEAL	1
9	2520-162	1/4-20 HEX FLANGE NUT GR B ZP	1
10	2520-251	3/8-16 HEX NUT ZP	1
11	2520-362	1/2-13 HEX LCK NUT GR C ZP	6
12	2520-368	1/2-13 HEX FLANGE NUT GR C ZP	2
13	2520-502	3/4-10 HEX JAM NUT ZYD	2
14	2520-545	HEX SLOTTED NUT 7/8-14 UNF	1
15	2520-603	5/8-11 HEX TOP LOCK GR C ZP	1
16	2527-568	SAFETY WASHER	1
17	2527-569	WASHER	1
18	2531-105	3/16 X 1 1/2 COTTER PIN ZP	1
19	2550-027	CONE, LM67048, KOYO	1
20	2550-797	SPRING	1
21	2550-798	SPRING, COMPRESSION	1
22	2570-783	THREADED ROD	1
23	2570-990	SUPPORT BUSHING	2
24	2570-991	HUB CAP	1
25	2571-101	18" BLADE (4000-141)	1
	2571-102	20" BLADE (4000-143)	1
26	4000-152	PIVOT/BEARING ASSEMBLY, LH	1
27	4000-154	COULTER ARM ASSEMBLY, LH	1
28	4000-407	GAUGE WHEEL ARM	1
29	4000-411	DEPTH CONTROL BACK PLATE	1
30	4000-412	COVER PLATE	1
31	4000-417	DEPTH CONTROL PIN	1
32	4000-474	DEPTH CONTROL LOCK PIN	1
33	4000-476	SPRING WASHER	2
34	4000-478	THREADED ROD PIN	1
35	4000-480	GAUGE WHEEL ARM SHAFT	1
36	4000-481	WASHER (COUNTERSUNK)	1
37	6000-072	3" X 16" GAUGE WHEEL, TRI-SPOKE	1

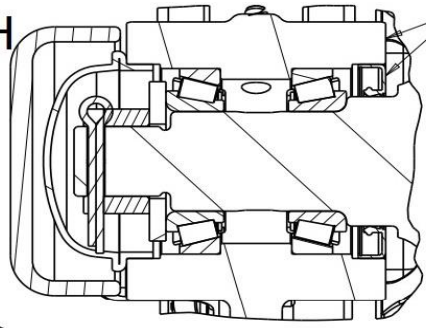
6000-072 PARTS IDENTIFICATION



ITEM	PART NUMBER	DESCRIPTION	QUANTITY
1	2502-229	M8 X 1.25 X 25MM HHFS, B18.2.3.4M	9
2	2520-208	M8 X 1.25 HEX SER. FLANGE NUT	9
3	2550-527	1.734" SNAP RETAINER RING	1
4	2570-069	40MM BEARING	1
5	6000-600	3 SPOKE HUB, 3 BOLT	1
6	6000-601	3" X 16" GAUGE WHEEL TIRE	1
7	6000-603	3" X 16" OUTER WHEEL HALF	1
8	6000-604	COMMON 16" WHEEL HALF	1

4000-154, 4000-155, & 4000-158 PARTS ID

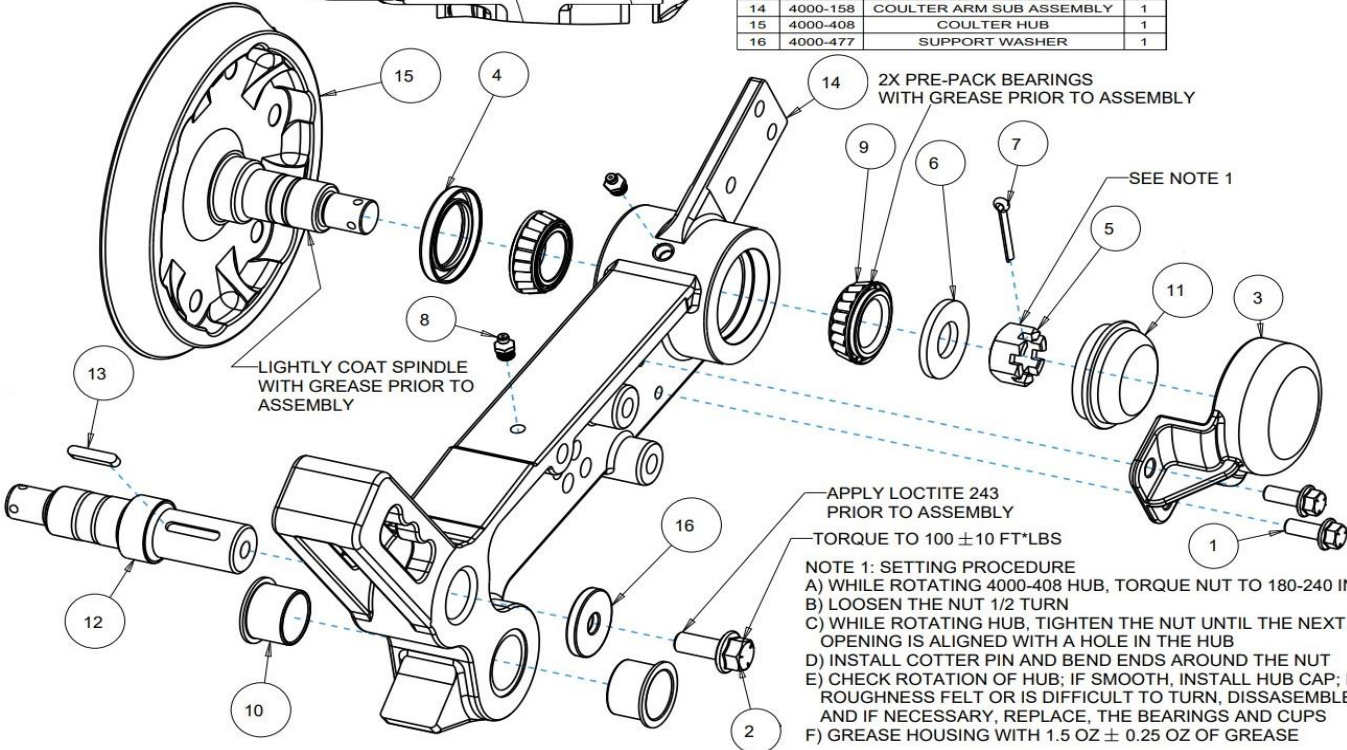
4000-155 RH ASSEMBLY SHOWN BELOW



FACE OF 2515-845 TO BE FLUSH WITH FACE OF CASTING AFTER ASSEMBLY

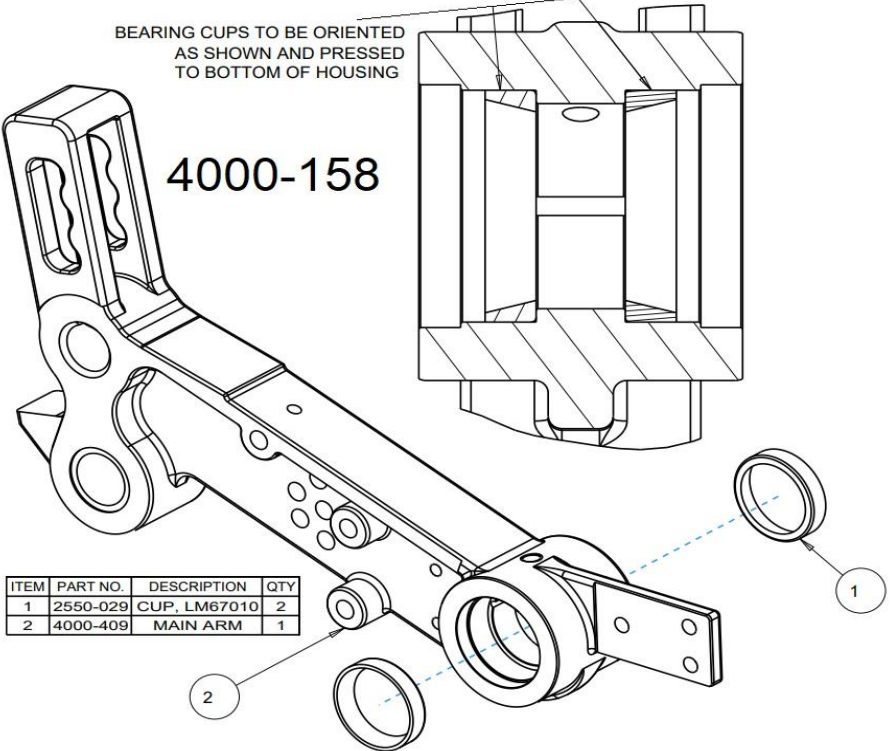
ITEM	PART NO.	DESCRIPTION	QTY
1	2502-261	3/8-16 X 1 HFS SER GR 5 ZP	2
2	2502-310	1/2-13 X 1 1/4 SER FLG HHCS GR5	1
3	2515-842	PROTECTOR CAP	1
4	2515-845	1.625" ID X 2.438" OD OIL SEAL	1
5	2520-545	HEX SLOTTED NUT 7/8-14 UNF	1
6	2527-569	WASHER	1
7	2531-105	3/16 X 1-1/2 COTTER PIN, ZP	1
8	2533-100	1/8-27 ZERK	2
9	2550-027	CONE, LM67048	2
10	2570-989	BUSHING	2
11	2570-991	HUB CAP, ZP	1
12	2570-995	SPINDLE	1
13	2590-036	1/4 X 1/4 X 1 1/4 OVERSIZED KEY	1
14	4000-158	COULTER ARM SUB ASSEMBLY	1
15	4000-408	COULTER HUB	1
16	4000-477	SUPPORT WASHER	1

4000-154 LH ASSEMBLY COULTER HUB MOUNTED ON LH SIDE OF COULTER ARM



BEARING CUPS TO BE ORIENTED AS SHOWN AND PRESSED TO BOTTOM OF HOUSING

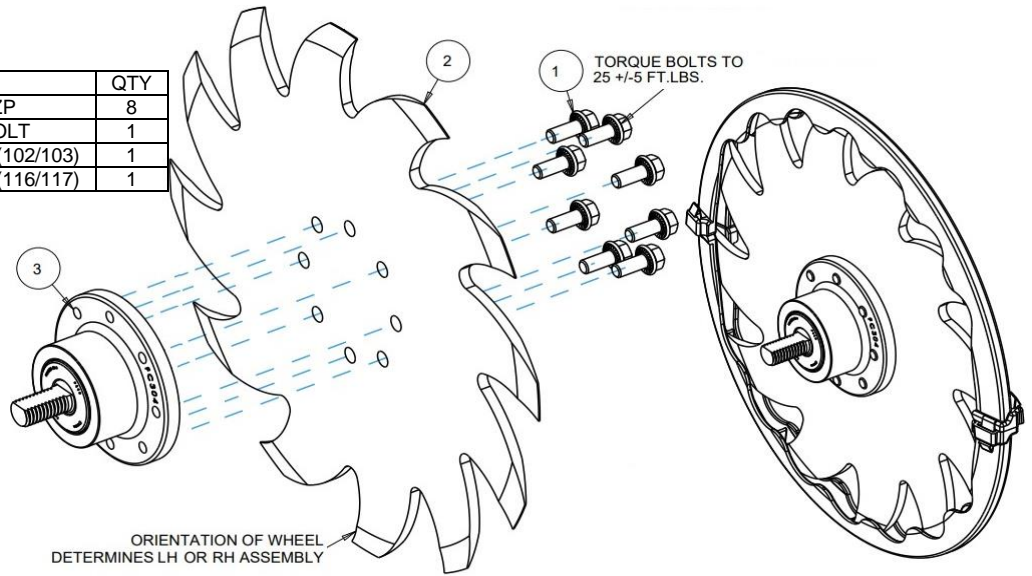
4000-158



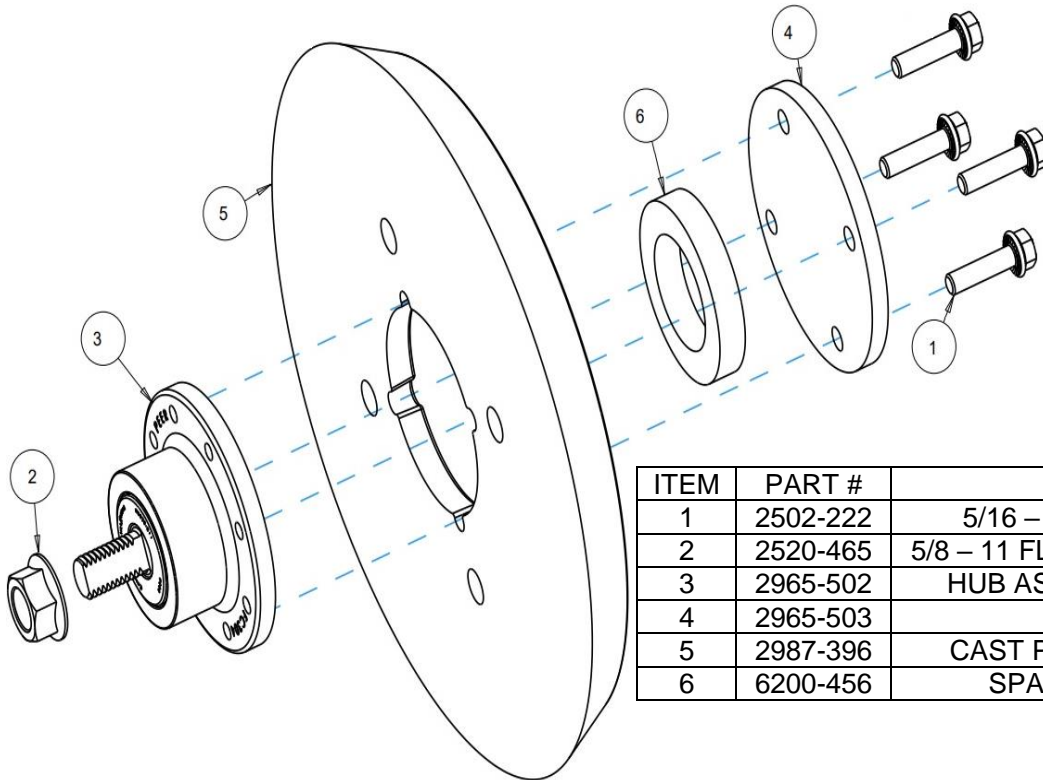
ITEM	PART NO.	DESCRIPTION	QTY
1	2550-029	CUP, LM67010	2
2	4000-409	MAIN ARM	1

2966-102-ST & -103-ST / 2966-116-ST & -117-ST PART ID

ITEM	PART #	DESCRIPTION	QTY
1	2505-220	5/16 - 18 X 3/4 HHFS GR 5 ZP	8
2	2571-286	SHARKTOOTH WHEEL, 8 BOLT	1
3	2965-501	HUB ASSEMBLY, 2.406 SPINDLE (102/103)	1
	2965-502	HUB ASSEMBLY, 1.157 SPINDLE (116/117)	1

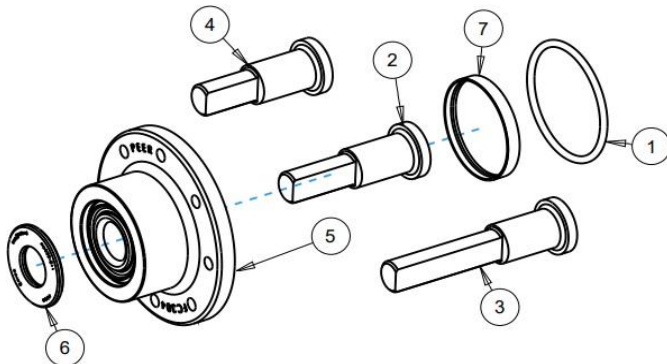


6200-115



ITEM	PART #	DESCRIPTION	QTY
1	2502-222	5/16 - 18 X 1 1/4 HHFS GR 5 ZP	4
2	2520-465	5/8 - 11 FLANGE LOCK NUT, GR 8, ZP	1
3	2965-502	HUB ASSEMBLY, 1.157 SPINDLE	1
4	2965-503	HUB CAP	1
5	2987-396	CAST PRESS WHEEL, PAINTED	1
6	6200-456	SPACER, 2.75 X 1.75 X 0.5	1

2965 HUB/BEARING (2021 & NEWER)



ITEM	PART #	DESCRIPTION	QTY
1	2550-072	RUBBER O-RING, 3/5MM W X 56MM ID	1
2	2965-600	D BOLT SHAFT, 1.406"L 2965-500	1
3	2965-601	D BOLT SHAFT, 2.406"L 2965-501	1
4	2965-602	D BOLT SHAFT, 1.157"L 2965-502	1
5	2965-603	HUB/BEARING ASSEMBLY	1
6	2965-604	SPACER	1
7	2965-605	DUST CAP/WASHER	1

TROUBLESHOOTING

<i>Problem</i>	<i>Cause</i>	<i>Solution</i>
Setting coulter	Planter not set correctly	Ensure that in operation the planter frame is at correct height (20"-22") and level the toolbar. See page 17
Trash plugging	Excessive knife-blade clearance	Check and adjust knife-blade clearance. See page 18
Blade not penetrating	Insufficient coulter spring pressure	Change the rod position or tighten spring. See page 18
Spring not deflecting	Excessive spring pressure	Change the rod position or tighten spring. See page 18
Fertilizer too deep	Spring not deflecting	Change the rod position or tighten spring. See page 18
	Depth pin incorrectly set	Set the depth pin to the desired depth. See page 18
	Planter frame too low	Raise planter toolbar to correct height See page 17
Fertilizer too shallow	Blade not penetrating	Change the rod position or tighten spring. See page 18
	Incorrect depth control	Set the depth pin to the desired depth. See page 18
Fertilizer will not flow	Plugged fertilizer tubes	Check for plugged fertilizer tube openings on knife Check for plugged fertilizer delivery tubes on planter
Blade not rotating properly	Loose soil	Coulter works best in firmer soil conditions

NOTES



A Tradition of Solutions since 1930

Yetter Farm Equipment Co

PO BOX 358 109 S. McDonough

Colchester, IL 62326-0358

Phone: 309-776-4111

Toll Free: 800-447-5777

Email: info@yetterco.com

For updated models and manuals visit the Yetter website:

www.yetterco.com

© Yetter Farm Equipment Co. All Rights Reserved