



**TITAN™**  
**2960/2966-021A**

**COULTER-RESIDUE MANAGER**  
**JD TWIN ROW PLANTER UNIT**

**OPERATOR'S MANUAL**  
**PART IDENTIFICATION**  
2565-959\_REV\_E 06/2024



**YETTER MANUFACTURING CO.**  
*FOUNDED 1930*

Colchester, IL 62326-0358  
Toll free: 800/447-5777  
309/776-3222 (Fax)  
Website: [www.yetterco.com](http://www.yetterco.com)  
E-mail: [info@yetterco.com](mailto:info@yetterco.com)

**YETTER**

## FOREWORD

You've just joined an exclusive but rapidly growing club.

For our part, we want to welcome you to the group and thank you for buying a Yetter product.

We hope your new Yetter products will help you achieve both goals-increase your productivity and increase your efficiency so that you may generate more profit.

This operator's manual has been designed into four major sections: Foreword, Safety Precautions, Installation Instructions and Parts Breakdown.



This **SAFETY ALERT SYMBOL** indicates important safety messages in the manual. When you see this symbol, be alert to the possibility of **PERSONAL INJURY** and carefully read the message that follows.

The word **NOTE** is used to convey information that is out of context with the manual text. It contains special information such as specifications, techniques and reference information of a supplementary nature.

The word **IMPORTANT** is used in the text when immediate damage will occur to the machine due

to improper technique or operation. Important will apply to the same information as specified by note only of an immediate and urgent nature.

It is the responsibility of the user to read the operator's manual and comply with the safe and correct operating procedure and to lubricate and maintain the product according to the maintenance schedule in the operator's manual.

The user is responsible for inspecting his machine and for having parts repaired or replaced when continued use of the product would cause damage or excessive wear to the other parts.

It is the user's responsibility to deliver his machine to the Yetter dealer who sold him the product for service or replacement of defective parts, which are covered by the warranty policy.

If you are unable to understand or follow the instructions provided in this publication, consult your local Yetter dealer or contact:

### **YETTER MANUFACTURING CO.**

309/776-4111

800/447-5777

309/776-3222 (FAX)

Website: [www.yetterco.com](http://www.yetterco.com)

E-mail: [info@yetterco.com](mailto:info@yetterco.com)

## WARRANTY

Yetter Manufacturing warrants all products manufactured and sold by it against defects in material. This warranty being expressly limited to replacement at the factory of such parts or products as shall appear to be defective after inspection. This warranty does not obligate the Company to bear cost of labor in replacement of parts. It is the policy of the Company to make improvements without incurring obligations to add them to any unit already sold. No warranty is made or authorized to be made, other than herein set forth. This warranty is in effect for one year after purchase.

DEALER: \_\_\_\_\_

**Yetter Manufacturing warrants its own products only and cannot be responsible for damages to equipment on which mounted.**

## SAFETY

**A brief description of signal words that may be used in this manual:**

**CAUTION:** Used as a general reminder of good safety practices or to direct attention to unsafe practices.

**WARNING:** Denotes a specific potential hazard.

**DANGER:** Denotes the most serious specific potential hazard.

### SAFETY PRECAUTIONS

You can make your farm a safer place to live and work if you observe the safety precautions given. Study these precautions carefully and insist that those working with you and for you follow them.

Finally, remember this: an accident is usually caused by someone's carelessness, neglect or oversight.



#### WARNING

Never clean, lubricate or adjust a machine that is in motion. Always lower or block the implement before performing service.

If the machine must be serviced in the raised position, jack or block it up to prevent it from accidentally falling and injuring someone.

Do not allow riders on the tractor or implement.

Use speeds and caution dictated by the terrain being traversed. Do not operate on any slope steep enough to cause tipping or loss of control.

Be sure all personnel are clear of the immediate area before operating.

Read and understand the operator's manual and require all other persons who will operate the equipment to do the same.

Be familiar with all tractor and implement controls and be prepared to stop engine and implements quickly in an emergency.



#### CAUTION

Consult your implement and tractor operator's manual for correct and safe operating practices.

Beware of towed implement width and allow safe clearance.

**FAILURE TO HEED MAY RESULT IN PERSONAL INJURY OR DEATH.**

# BOLT TORQUE

## Mounting bolts and hardware

Before operating the Titan™ Residue Manager for the first time, check to be sure that all hardware is tight. Check all hardware again after approximately 50 hours of operation and at the beginning of each planting season.

All hardware used on the Titan™ Residue Manager is Grade 5 unless otherwise noted. Grade 5 cap screws are marked with three radial lines on the head. If hardware must be replaced, be sure to replace it with hardware of equal size, strength and thread type. Refer to the torque values chart when tightening hardware.




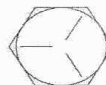


**Important:** Over tightening hardware can cause as much damage as when under tightening. Tightening hardware beyond the recommended range can reduce its shock load capacity.

The chart below is a guide for proper torque. Use it unless a specified torque is called out elsewhere in the manual.

Torque is the force you apply to the wrench handle or the cheater bar, times the length of the handle or bar.

Use a torque wrench whenever possible.

The following table shows torque in ft. lbs. for coarse thread hardware.

BOLT DIA. AND THREADS PER INCH	 GRADE 2	 OR  GRADE 5 A-325	 GRADE 8
1/4	6	10	14
5/16	12	20	30
3/8 - 16	25	35	50
7/16 - 14	35	55	80
1/2 - 13	55	85	125
9/16 - 12	75	125	175
5/8 - 11	105	170	235
3/4 - 10	185	305	425
7/8 - 9	170	445	690
1-8	260	670	1030
1 1/8 - 7	365	900	1460
1 1/4 - 7	515	1275	2060
1 3/8 - 6	675	1675	2700
1 1/2 - 6	900	2150	3500
1 3/4 - 5	1410	3500	5600

Lubricate all bearings and moving parts as assembled and make certain that they work freely.



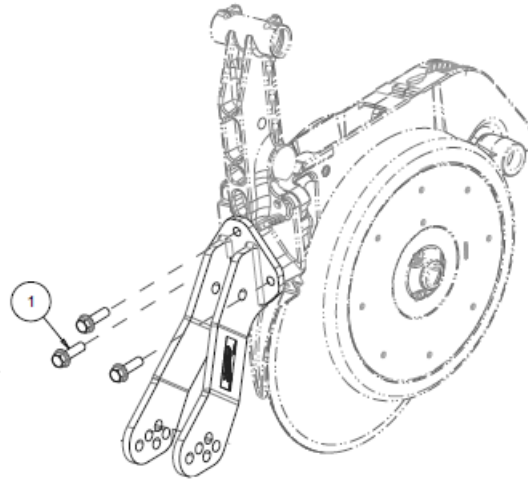
**WARNING:** Never work around the toolbar/implement while in a raised position without using safety lockups.



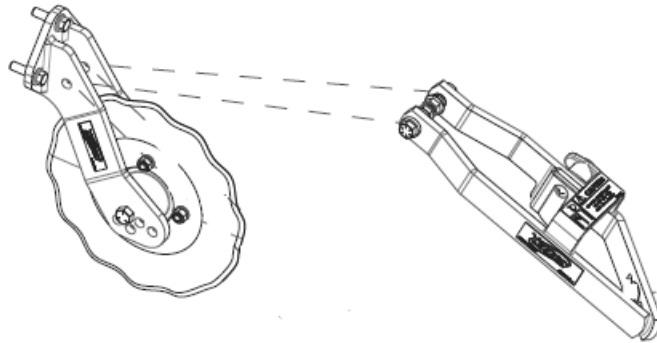
**CAUTION:** The Residue manager attachments are very heavy. Pay extra attention to lifting techniques while handling and or maneuvering the opener during assembly. Failure to do so may lead to personal injury.

# INSTALLATION INSTRUCTIONS

**STEP 1.** Attach the 2960-021 coultter to the planter row unit using (3) 12mm x 45mm bolts. Torque @ 99 Nm.

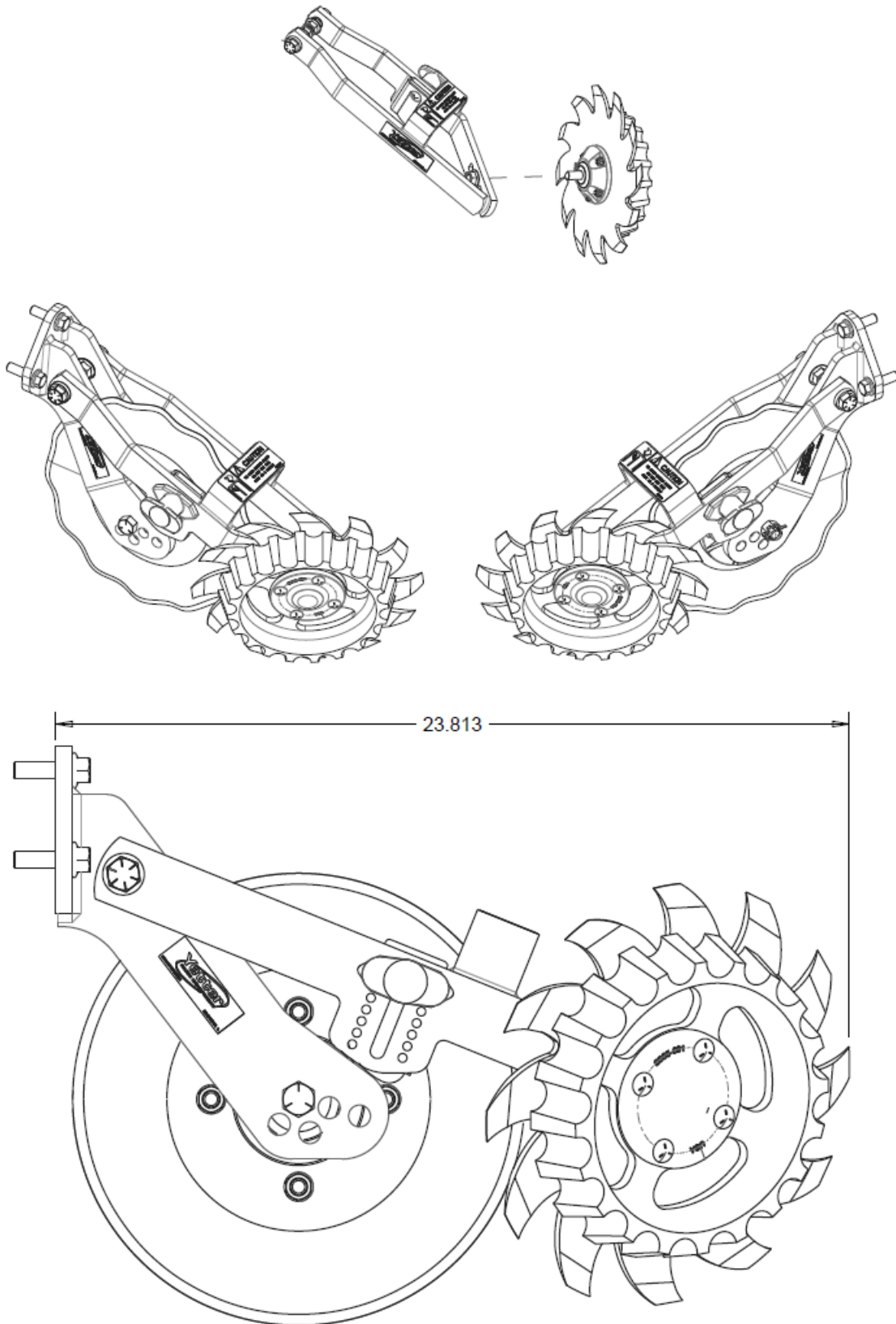


**STEP 2.** Install the 2966-021 residue manager onto the 2960 coultter using the 5/8" x 2" bolts, 5/8" washers, bushings and flange hex nuts.



## INSTALLATION INSTRUCTIONS

**STEP 3.** Attach the residue manager wheel assembly to the arm and secure with the 5/8" flange hex nut. Torque 180 ft. lbs.



## OPERATION

Adjust the residue manager to move crop residue aside and not move any soil. Adjustments to the residue manager may have to be made when changing field conditions and type and amount of residue. Use the handle for leverage when changing depth settings.

### ROW CLEANER DO'S AND DON'TS

1. **DO NOT** move soil; Residue Managers are designed to move crop residue only.
2. **DO NOT** operate at slow speeds, ground speed affects how aggressive the spoke wheels are; operate at sufficient speed (4-6 mph) to maintain good residue flow.
3. **DO NOT** expect 100% of crop residue to be cleared, it is not necessary and would necessitate engaging the soil. The width of path cleared depends on ground conditions, depth setting and ground speed.
4. **DO** expect to see wheels occasionally quit turning, indicates ideal (shallow) setting which is not moving soil.
5. **DO** adjust toolbar frame height 20"-22" and drawbar to "level" correctly. Very important to ensure residue manager will follow ground contours properly.

**IMPORTANT:** Failure to properly set the planter frame height and levelness can result in less than successful operation of the planter and the Yetter product and may result in damaged equipment. All operators should read and thoroughly understand the instructions given prior to using the Yetter product.

NOTE: **DO NOT** use this product if the planter is not adjusted properly!

Leveling the planter:

With the planter lowered to proper operating height (**Usually 20"-22"**). **Read the planter operator's manual for recommended setting**. Check to be sure the toolbar and row unit parallel arms are level fore and aft. ***Re-check*** when the planter is in the ***field*** and has been ***fully loaded*** with seed, fertilizer, granular chemicals, etc. Also, a field check with a bubble level on the frame should be made of the hitch height to ensure level operation front to back.

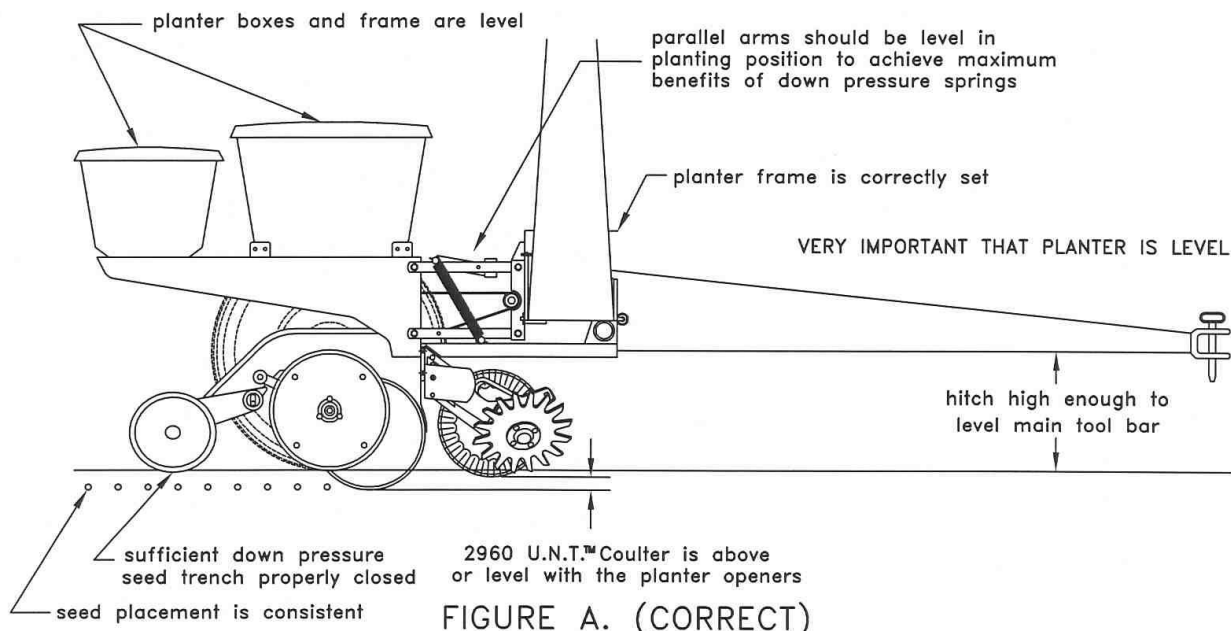
It is important for the planter to operate level laterally. Tire pressure must be maintained at pressures specified by the manufacturer.

Field and actual planting conditions change and will dictate planter frame heights. You must ensure that the row unit parallel arms are approximately parallel with the ground.

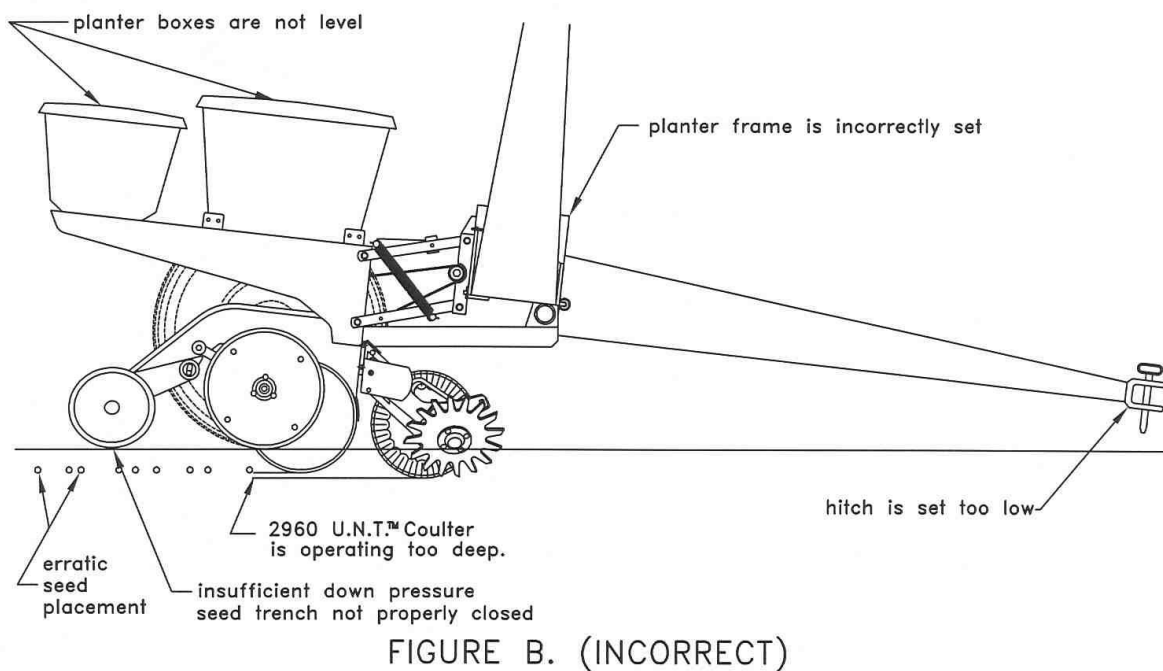
**IMPORTANT:** For proper operation of the planter attachments and row units, it is imperative that the planter toolbars and row unit parallel arms be level side-to-side and front-to-rear. The toolbar frame should operate at a 20"-22" height from the ***planting surface***. Check the manufacturer's operator's manual for instructions on how to adjust the frame height and levelness



## OPERATION PLANTER HEIGHT ADJUSTMENT



1720-19



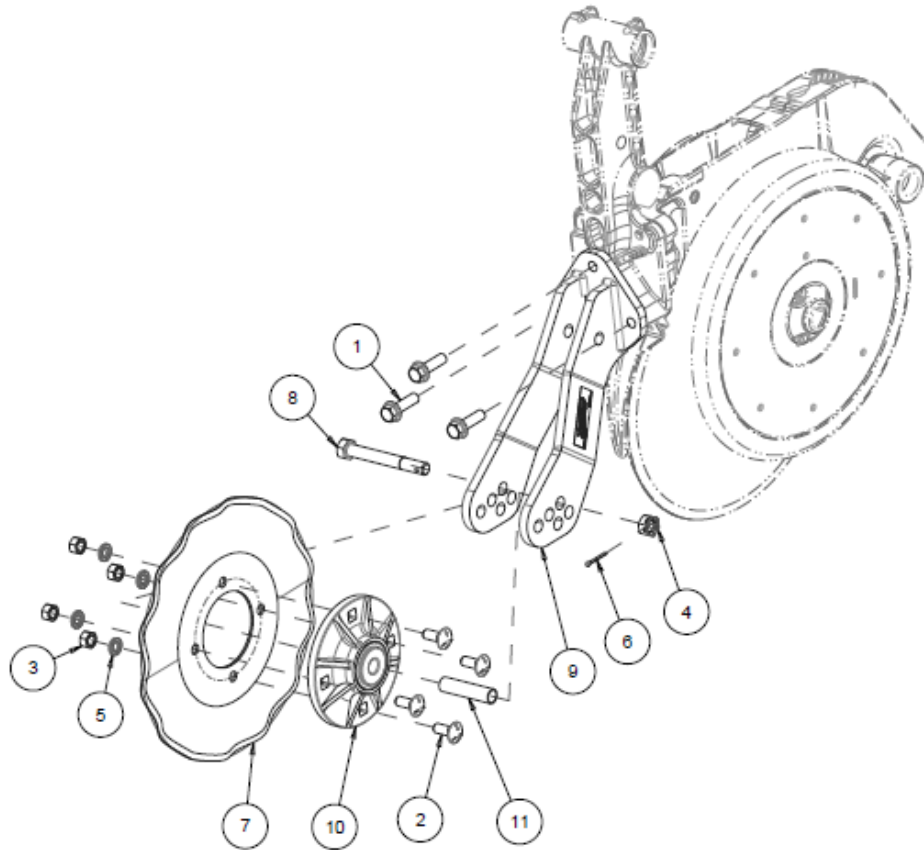
## MAINTENANCE

**STEP 1.** Regularly inspect the residue manager for loose or worn parts. Repair and replace as needed.

**STEP 2.** Lubricate the residue manager wheel bearings using #2 multi-purpose **poly urea** grease every 50 hours.

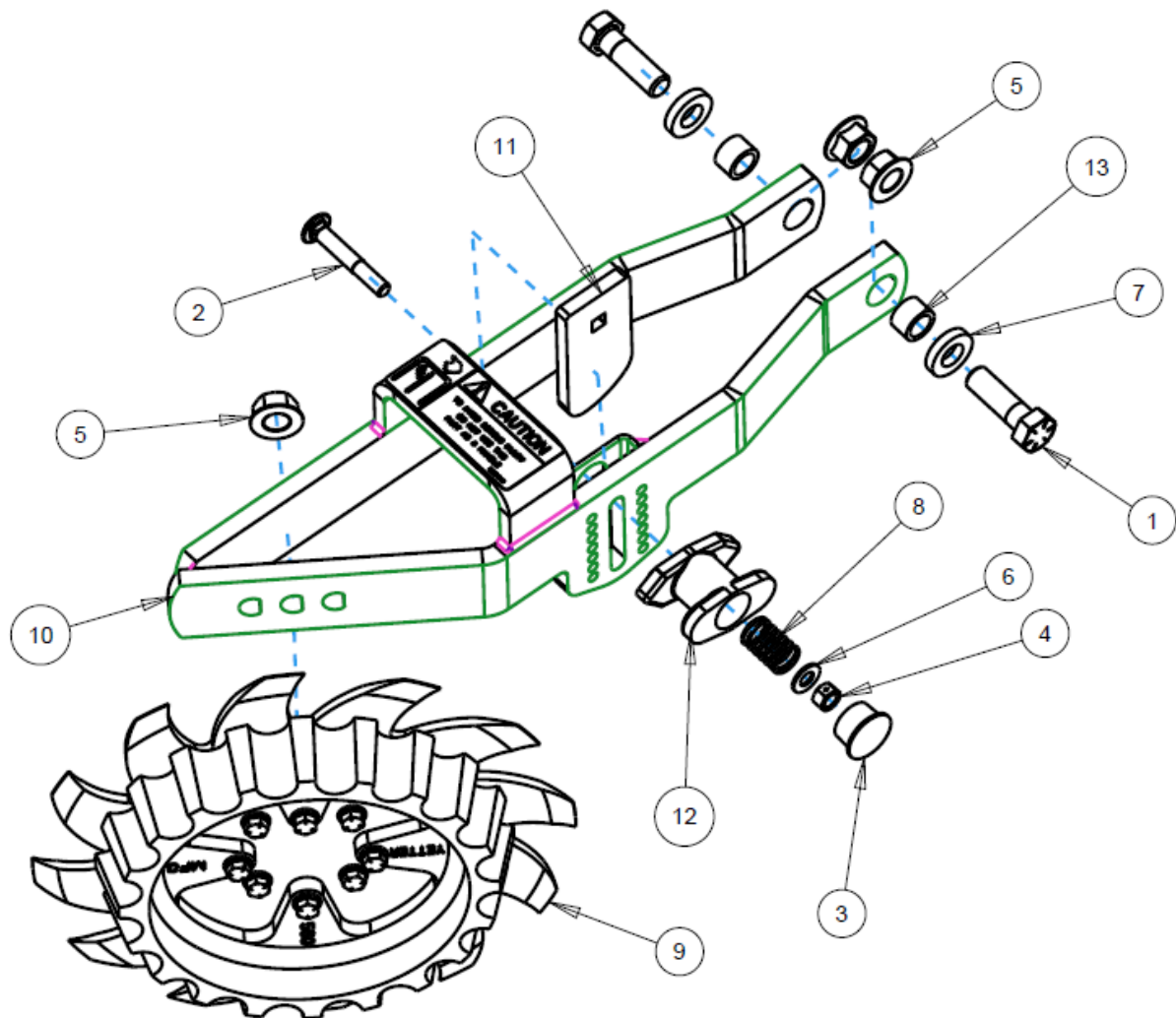


**PARTS IDENTIFICATION**  
**2960-021**  
**UNIT MOUNT COULTER JD TWIN ROW PLANTER**



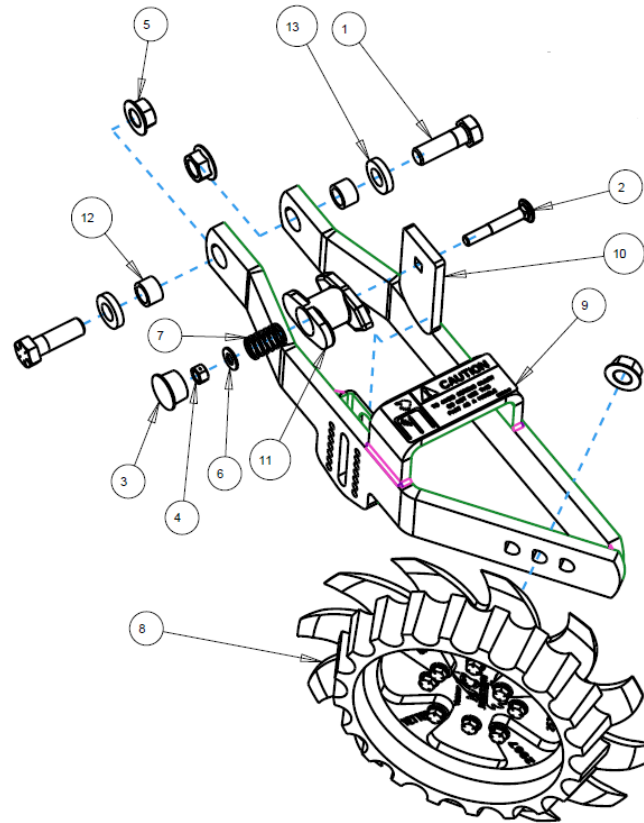
ITEM	PART NO.	DESCRIPTION	QTY
1	2502-382	12MM X 1.75 X 45MM SFLHDCS GR 10.9 ZYD	3
2	2505-337	1/2-13 X 1 1/4 CARBLT G5ZP	4
3	2520-352	1/2-13 HEX NUT ZP	4
4	2520-468	5/8-18 SLOTTED HEX NUT BLK, GR 2	1
5	2525-352	1/2 MED LOCKWASHER ZP.	4
6	2531-102	1/8 X 1-1/4 COTTER PIN, PLAIN	1
7	2571-023	.138 X 13.56", 13 WAVE BLADE	1
8	2960-392	SPINDLE BOLT, 5/8 X 5 GR 5 ZP	1
9	2960-239-NP	W.A. COULTER MOUNT JD TWIN ROW	1
10	2984-152	HUB ASSEMBLY	1
	2570-575	BEARING, MARKER DISC	2
	2984-456	BEARING SPACER	1
	2984-457	STRIP FRESHENER HUB	1
11	2984-455	BEARING BORE ADAPTER, ZP	1

**PARTS IDENTIFICATION**  
**2966-021A-LH-ST-FW**  
**RESIDUE MANAGER JD TWIN ROW PLANTER**



ITEM	PART NO.	DESCRIPTION	QTY
1	2502-322	5/8-11 x 2 HHCS GR 8	2
2	2505-254	3/8-16 X 2 3/4CRBLT GR5 ZP	1
3	2515-714	DUST COVER	1
4	2520-255	3/8-16 LOCK HEX NUT, GR A, ZP	1
5	2520-465	5/8-11 SER. FLANGE NUT, GR 8, ZP	3
6	2526-253	3/8 SAE FLATWASHER ZP	1
7	2526-455	WASH 21/32" X 1 1/4" X 1/4	2
8	2550-769	SPRING, ADJUSTMENT PIN, ZP	1
9	2966-117-ST-FW	SHRKTH FLOATER WL ASSY, LH	1
10	2966-294-LH	RM ARM LH, JD TWIN ROW	1
11	2966-386	ADJUSTMENT STOP PLATE	1
12	2967-249	ADJUSTMENT HANDLE	1
13	6000-335	9/16" BUSHING	2

**PARTS IDENTIFICATION**  
**2966-021A-RH-ST-FW**  
**RESIDUE MANAGER JD TWIN ROW PLANTER**



ITEM	PART NO.	DESCRIPTION	QTY
1	2502-322	5/8-11 x 2 HHCS GR 8	2
2	2505-254	3/8-16 X 2 3/4CRBLT GR5 ZP	1
3	2515-714	DUST COVER	1
4	2520-255	3/8-16 LOCK HEX NUT, GR A, ZP	1
5	2520-465	5/8-11 SER. FLANGE NUT, GR 8, ZP	3
6	2526-253	3/8 SAE FLATWASHER ZP	1
7	2550-769	SPRING, ADJUSTMENT PIN, ZP	1
8	2966-116-ST-FW	SHRKTH FLOATER WL ASSY, RH	1
9	2966-294-RH	RM ARM RH, JD TWIN ROW	1
10	2966-386	ADJUSTMENT STOP PLATE	1
11	2967-249	ADJUSTMENT HANDLE	1
12	6000-335	9/16" BUSHING	2
13	24H1367	WASHER 21/32" X 1-1/4" X 1/4"	2

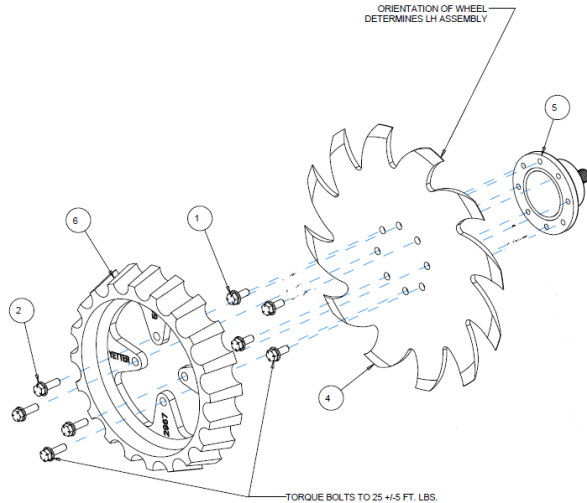
# PARTS IDENTIFICATION

2966-117-ST-FW (SHOWN)

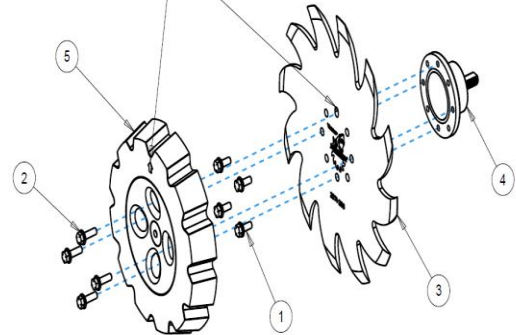
2966-117-ST-PFW (SHOWN)

2966-116-ST-FW

ITEM	PART NO	DESCRIPTION	QTY
1	2502-220	5/16-18 X 3/4 HHFS GRADE 5	4
2	2502-221	5/16-18 X 1 HHFS GRADE 5	4
3	2571-286	SHARKTOOTH WHEEL 8 BOLT	1
4	2965-502	HUB ASSEMBLY 1.157 SPINDLE	1
5	2967-957	SHARKTOOTH TIMED FLOATER WHEEL	1



LINE UP ARROW ON FLOATER WITH SLOT ON WHEEL TO INSURE PROPER TIMING OF NOTCHES.

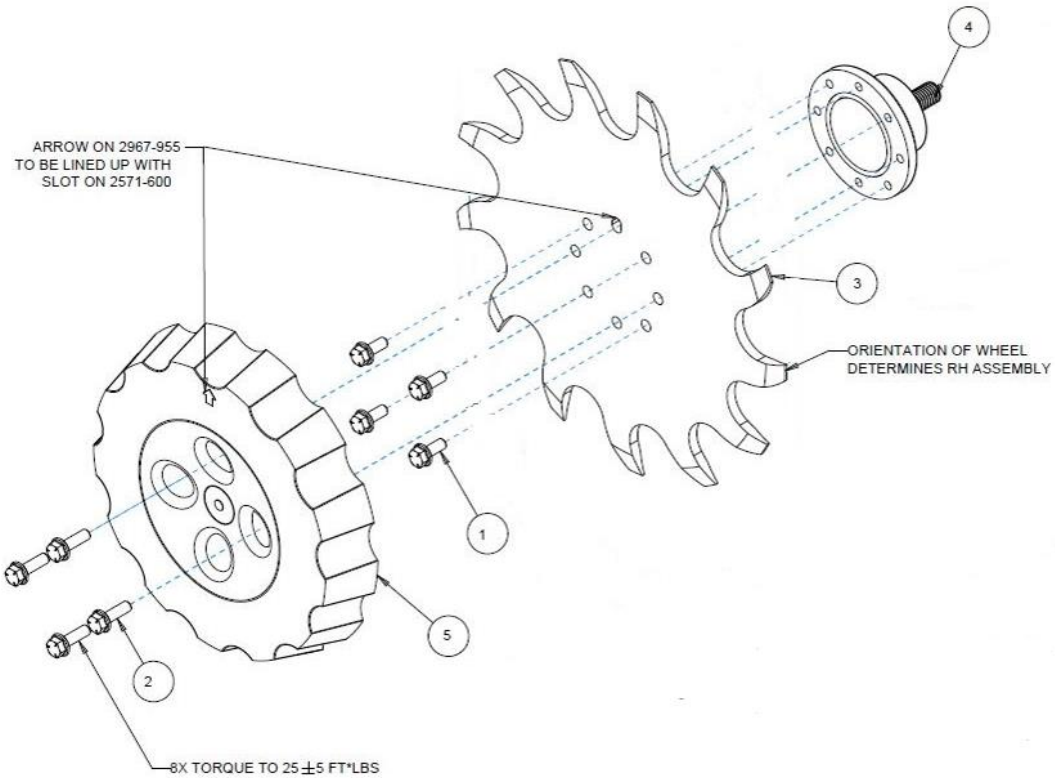


ITEM	PART NO.	DESCRIPTION	QTY
1	2502-220	5/16-18 X 3/4 HHFS GR5 ZP	4
2	2502-221	5/16-18 X 1 HHFS GR5 ZP	4
3	2515-562	13" WHEEL COVER, BLACK	2
4	2571-286	SHARKTOOTH WHEEL, 8 BOLT	1
5	2965-502	HUB ASSEMBLY, 1.157 SPINDLE	1
6	2967-560	FLOATER WHEEL	1

**MANUFACTURED 06/2021 – PRESENT**

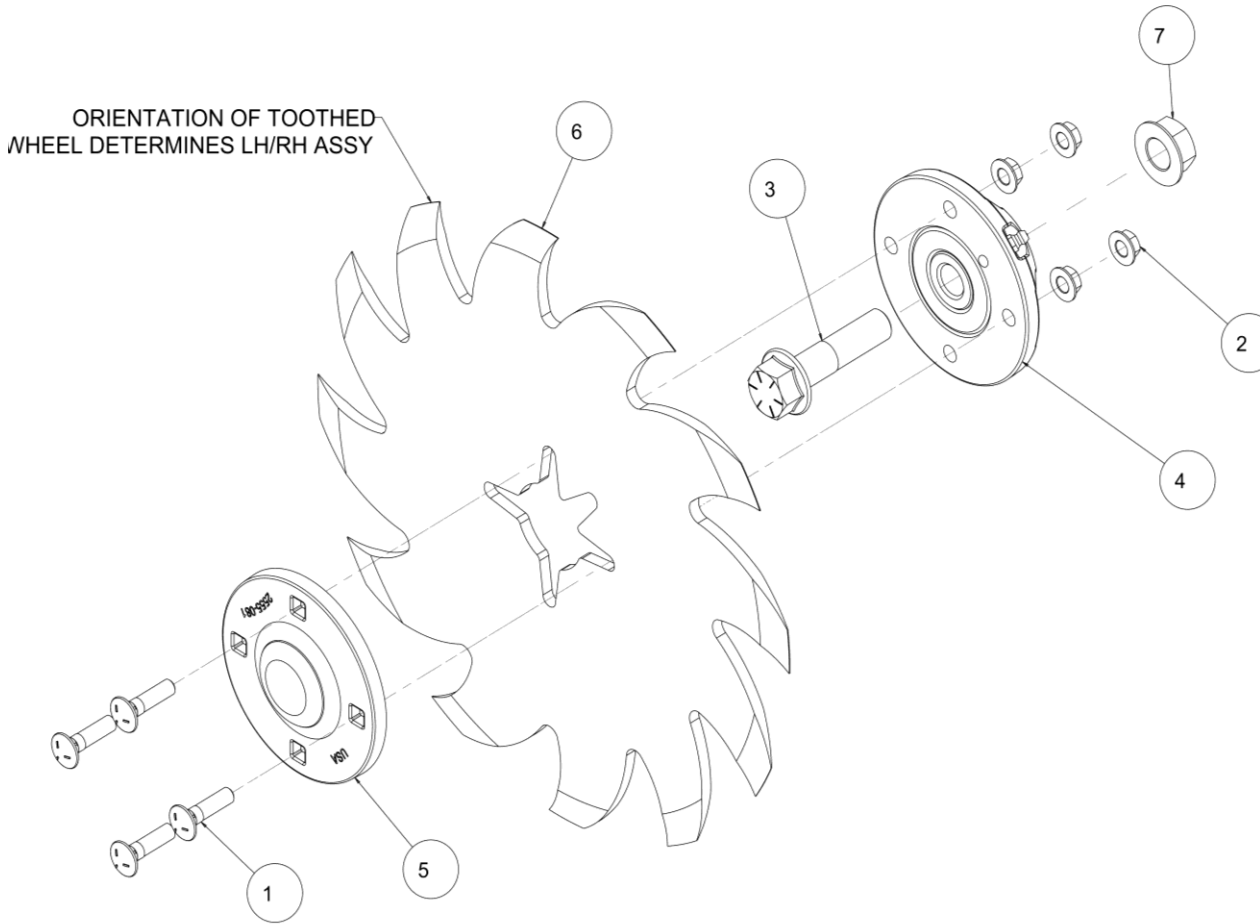
## PARTS IDENTIFICATION

### 2966-116-STF-PFW (SHOWN) RIGHT HAND 2966-117-STF-PFW LEFT HAND



ITEM	QTY	PART NO.	DESCRIPTION
1	4	2502-220	5/16-18 X 3/4 HHFS BOLT GR5
2	4	2502-221	5/16-18 X 1 HHFS BOLT GR5
3	1	2571-600	SHARKTOOTH FINGER WHEEL
4	1	2965-502	HUB ASSEMBLY 1.157" SPINDLE
5	1	2967-955	STF TIMED FLOATER WHEEL

**PART IDENTIFICATION**  
**2966-117-ST LH WHEEL ASSY (SHOWN)**  
**2966-116-ST RH WHEEL ASSY**

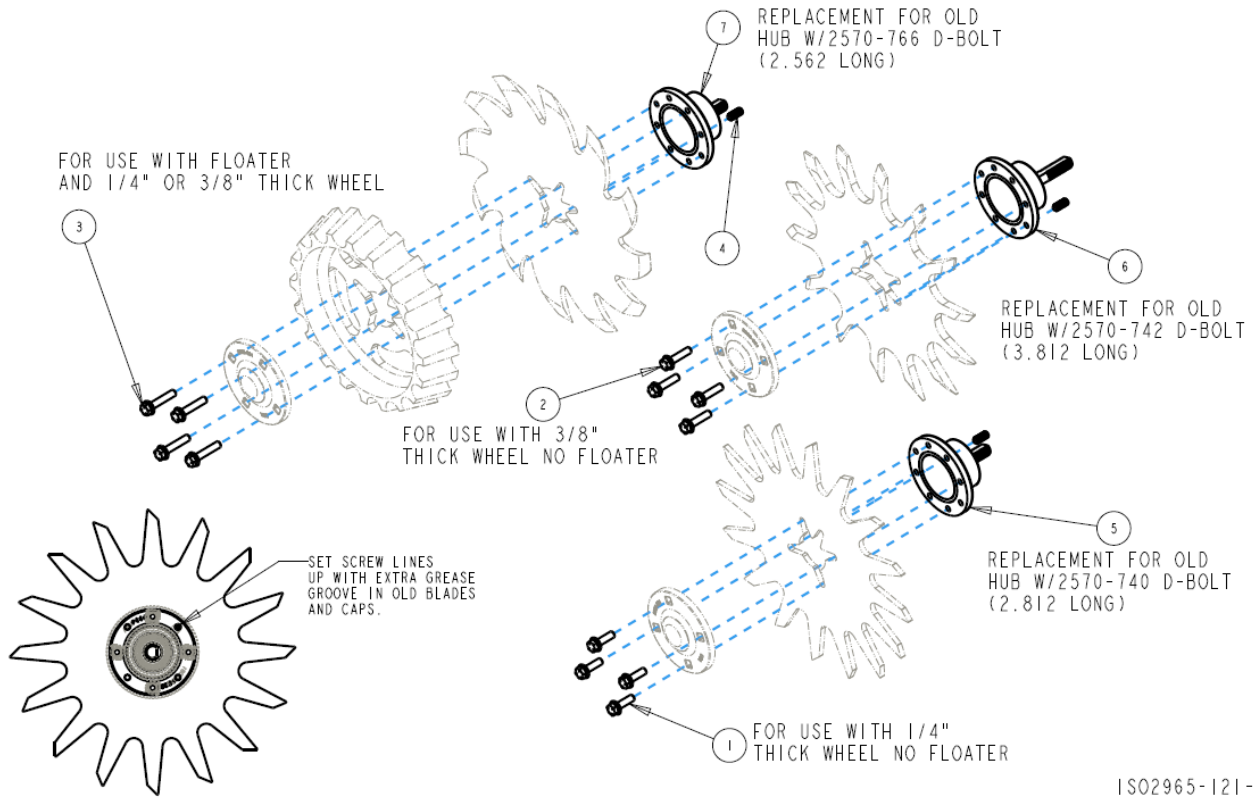


ITEM	PART NO	DESCRIPTION	QTY
1	2505-207	5/16-18 X 1-1/4 CARRIAGE HEAD BOLT GRADE 5	4
2	2520-206	5/16-18 FLANGE LOCK NUT	4
3	2570-766	D-BOLT FLANGE HEAD 5/8-11 X 2.562 GRADE 8	1
4	2965-128	HUB/BEARING ASSEMBLY	1
	2550-069	SEAL	1
	2570-594	BEARING	1
	2570-715	INSERT	1
	2965-351	HUB	1
	2533-110	GREASE FITTING	1
5	2965-352	HUB CAP	1
6	2967-602	SHARK TOOTH WHEEL	1
7	2520-465	5/8-11 FLANGE LOCK NUT GRADE 8	1

**MANUFACTURED 06/2017 – 06/2021**

## FIELD SERVICE KITS

- 2965-119 - SERVICE KIT FOR 2570-740-2.812 D-BOLT
- 2965-120 - SERVICE KIT FOR 2570-742-3.812 D-BOLT
- 2965-121 - SERVICE KIT FOR 2570-766-2.562 D-BOLT



ISO2965-121-2

ITEM	PART NO	DESCRIPTION	QTY
1	2502-221	5/16-18 X 1 HHFS GRADE 5	4
2	2502-222	5/16-18 X 1-1/4 HHFS GRADE 5	4
3	2502-225	5/16-18 X 1-1/2 HHFS GRADE 5	4
4	2940-560	SET SCREW	1
5	2965-500	HUB ASSEMBLY 1.406 SPINDLE	1
6	2965-501	HUB ASSEMBLY 2.406 SPINDLE	1
7	2965-502	HUB ASSEMBLY 1.157 SPINDLE	1



A Tradition of Solutions since 1930

Yetter Farm Equipment Co

PO BOX 358 109 S. McDonough

Colchester, IL 62326-0358

Phone: 309-776-4111

Toll Free: 800-447-5777

Email: [info@yetterco.com](mailto:info@yetterco.com)

For updated models and manuals visit the Yetter website:

[www.yetterco.com](http://www.yetterco.com)

© Yetter Farm Equipment Co. All Rights Reserved

2565-959\_REV\_E • 06/2024