



OPERATOR'S MANUAL

MODEL 6300 COULTER CART

2565-330_REV_C 07/18



YETTER MANUFACTURING CO.
FOUNDED 1930

Colchester, IL 62326-0358
Toll free: 800/447-5777
309/776-3222 (Fax)
Website: www.yetterco.com
E-mail: info@yetterco.com

YETTER

FOREWORD

You've just joined an exclusive but rapidly growing club.

For our part, we want to welcome you to the group and thank you for buying a Yetter product.

We hope your new Yetter implement will help you achieve both increased productivity and increased efficiency so that you may generate more profit. This operator's manual has been designed into six major sections.

Foreword, Safety Precautions, assembly instructions, Operation, parts identification and troubleshooting.

It is important the owner/operator knows the implement model number and serial number. Write the serial and model number in the space provided and use it in all correspondence when referring to the implement.

Throughout the manual references may be made to left side and right side. These terms are used as viewed from the operator's seat facing the front of the tractor.



This **SAFETY ALERT SYMBOL** indicates important safety messages in the manual. When you see this symbol, be alert to the possibility of **PERSONAL INJURY** and carefully read the message that follows. The word **NOTE** is used to convey information that is out of context with the manual text. It contains special information such as specifications, techniques, reference information and other information of a supplementary nature.

The word **IMPORTANT** is used in the text when immediate damage will occur to the machine due to improper technique or operation. Important will apply to the same information as specified by note only of an immediate and urgent nature.

It is the responsibility of the user to read the operator's manual and comply with the safe and correct operating procedure and to lubricate and maintain the product according to the maintenance schedule in the operator's manual.

The user is responsible for inspecting his machine and for having parts repaired or replaced when continued use of the product would cause damage or excessive wear to the other parts.

It is the user's responsibility to deliver his machine to the Yetter dealer who sold him the product for service or replacement of defective parts that are covered by the warranty policy.



If you are unable to understand or follow the instructions provided in the publication, consult you local Yetter dealer or contact:

YETTER MANUFACTURING CO.

309/776-4111

800/447-5777

309/776-3222 (FAX)

Website: www.yetterco.com

E-mail: info@yetterco.com

WARRANTY POLICY

Yetter Manufacturing warrants all products manufactured and sold by it against defects in material. This warranty being expressly limited to replacement at the factory of such parts or products as will appear to be defective after inspection. This warranty does not obligate the Company to bear cost of labor in replacement of parts. It is the policy of the company to make improvements without incurring obligations to add them to any unit already sold. No warranty is made or authorized to be made, other than herein set forth. This warranty is in effect for one year after purchase.

Model Number: _____

Serial Number: _____

Dealer : _____

The serial and model numbers are located on the top of the left hitch plate.

Yetter Manufacturing warrants its own products only and cannot be responsible for damage to equipment on which mounted.

SAFETY PRECAUTIONS

You can make your farm a safer place to live and work if you observe the safety precautions given. Study these precautions carefully and insist that they be followed by those working with you and for you.

Finally, remember this: an accident is usually caused by someone's carelessness, neglect or oversight.



DANGER

Inspect and replace worn or frayed hydraulic hose, keep all connections tight. Escaping hydraulic fluid under pressure can have sufficient force to penetrate the skin and cause serious personal injury. Fluid escaping from a small hole can be almost invisible. Use a piece of cardboard or wood rather than the hands to search for suspected leaks.



CAUTION

Consult your implement and tractor operator's manual for correct and safe operating practices. Be aware of towed implement width and allow safe clearance.



CAUTION: SAFETY SIGNS

Safety decals are placed on the implement to alert the operator and others to the risk of personal injury or unsafe operation during normal operations and servicing.

1. The safety decals must be kept clean and in good condition to ensure that they are legible.
2. Safety decals must be replaced if they are missing or illegible.
3. When components are replaced during repair or servicing, check that the new components include the necessary safety signs.
4. Replacement safety decals may be obtained from your local Yetter dealer.



WARNING

Never clean, lubricate or adjust a machine that is in motion. Always install the transport lock pins and bracket when transporting for any length of time or on public roadways.

If required to service unit in raised position, be sure to install all transport lock pins and locking bracket.

Be sure the implement is securely locked in the 3-point quick hitch before operating.

Do not allow children to operate this equipment.

Do not allow riders on the tractor or implement.

Use speeds and caution dictated by the terrain being traversed. Do not operate on any slope steep enough to cause tipping or loss of control.

Be sure all personnel are clear of the immediate area before operating.

Read and understand the operator's manual and require all other persons who will operate the equipment to do the same.

In operating on public roadways, where legal, be certain all lighting is operating properly and observe all traffic laws. Ensure slow moving vehicle emblem on tractor is visible.

Maximum towing speed is 20 mph when conditions permit.

Beware of increased stopping distances and control effort when operating with implements attached.

Be familiar with all tractor and implement controls and be prepared to stop engine and implements quickly in an emergency.

Do not unhitch cart in the raised position with a grain drill attached. Lower unit before unhitching.

Do not trail cart with small trucks, etc. The hitch weight of the cart is in excess of 1000 lbs.

FAILURE TO HEED MAY RESULT IN PERSONAL INJURY OR DEATH.

ASSEMBLY INSTRUCTIONS

GENERAL INFORMATION

Examine all equipment carefully for damage or shortages.

Lubricate all bearings and moving parts as assembled.

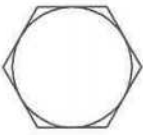


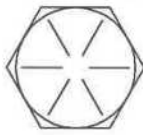
Reference to front, rear, left and right in this installation instruction are made when setting in the operator's seat facing direction of forward travel.

BOLT TORQUE

READ THESE INSTRUCTIONS FIRST:

1. Improperly tightened bolts will result in damage, breakage, expense, and down time.
2. Always replace bolts with the specified grade and type.
3. Torque properly before first use of the machine and every 2-4 hours of use until you are sure bolts are staying tight.
4. The chart below is a guide for proper torque. Use it unless a specified torque is called out elsewhere in the manual.
5. Torque is the force you apply to the wrench handle or the cheater bar, times the length of the handle or bar.
6. Use a torque wrench whenever possible.

The following table shows torque in ft. lbs.

| BOLT DIA. AND THREADS PER INCH |  GRADE 2 |  OR  GRADE 5 A-325 |  GRADE 8 |
|---|--|--|--|
| 3/8-16 | 25 | 35 | 50 |
| 7/16-14 | 35 | 55 | 80 |
| 1/2-13 | 55 | 85 | 125 |
| 9/16-12 | 75 | 125 | 175 |
| 5/8-11 | 105 | 170 | 235 |
| 3/4-10 | 185 | 305 | 425 |
| 7/8-9 | 170 | 445 | 690 |
| 1-8 | 260 | 670 | 1030 |
| 1 1/8-7 | 365 | 900 | 1460 |
| 1 1/4-7 | 515 | 1275 | 2060 |
| 1 3/8-6 | 675 | 1675 | 2700 |
| 1 1/2-6 | 900 | 2150 | 3500 |
| 1 3/4-5 | 1410 | 3500 | 5600 |

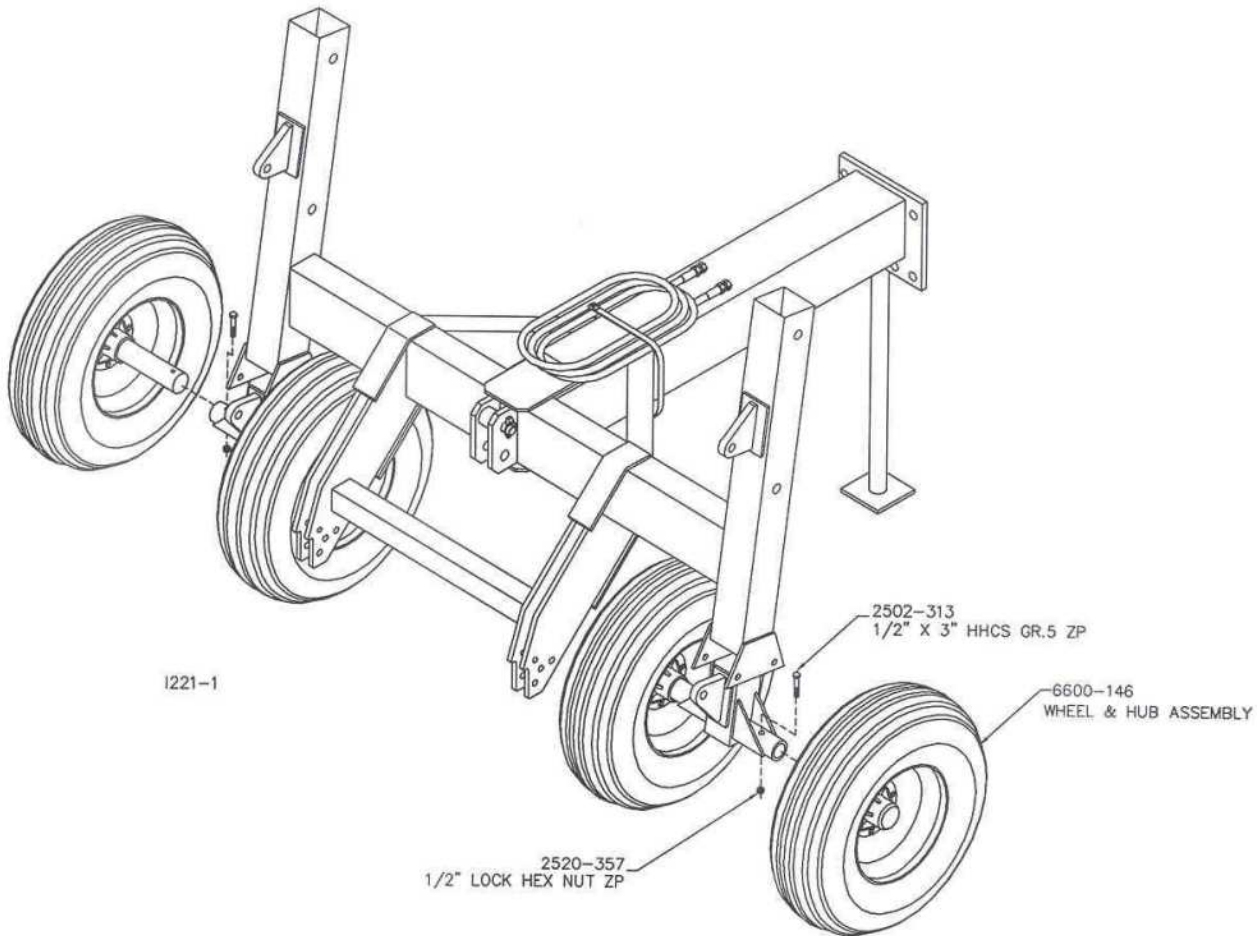
ASSEMBLY INSTRUCTIONS



WARNING: Never work under the equipment while in a raised position without using safety lockups. Failure to do so may lead to personal injury.

Transport Wheels

STEP 1. The carts are shipped with only the inside wheels assembled. Attach the outside wheel and hub assemblies 6600-146 by inserting the spindle shaft into the tube welded to the bottom of the lift wheel insert using 1) 1/2" x 3" hex bolt and 1/2" hex lock nut.

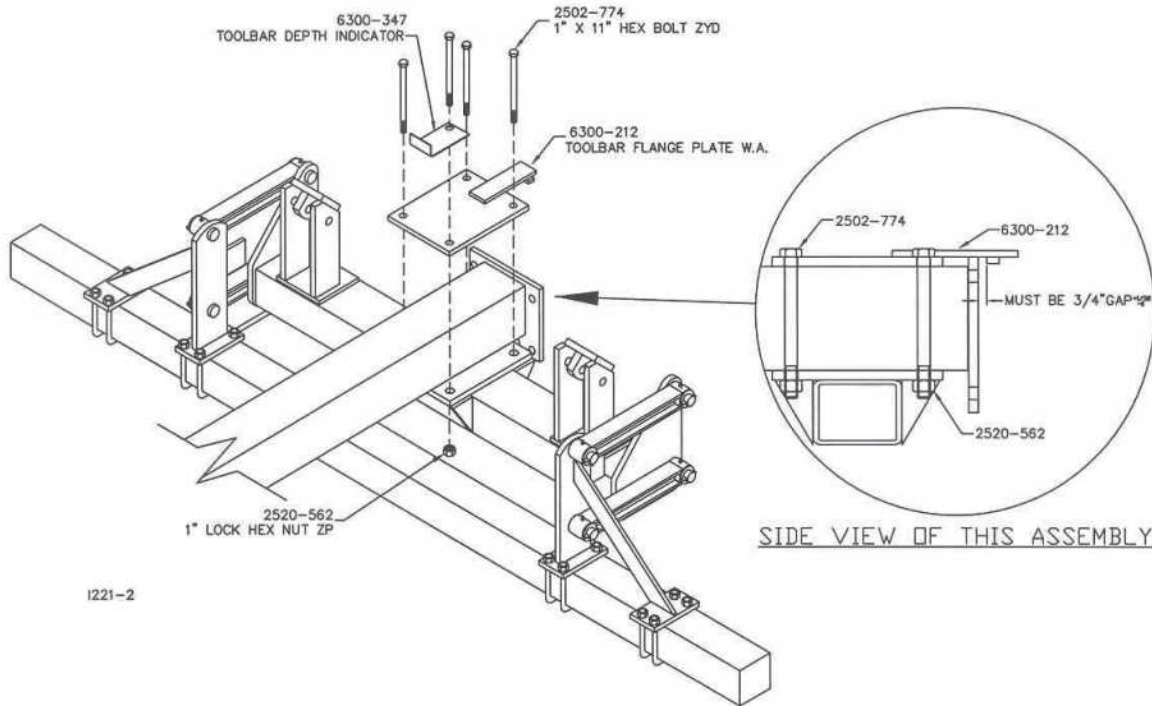


STEP 2. Check the air pressure in the four tires; the pressure must be EQUAL to each other (36 psi cold). If the tire air pressures are not equal when operated, the upper and lower rollers will wear and fail to operate, causing damage to the lift wheel insert.

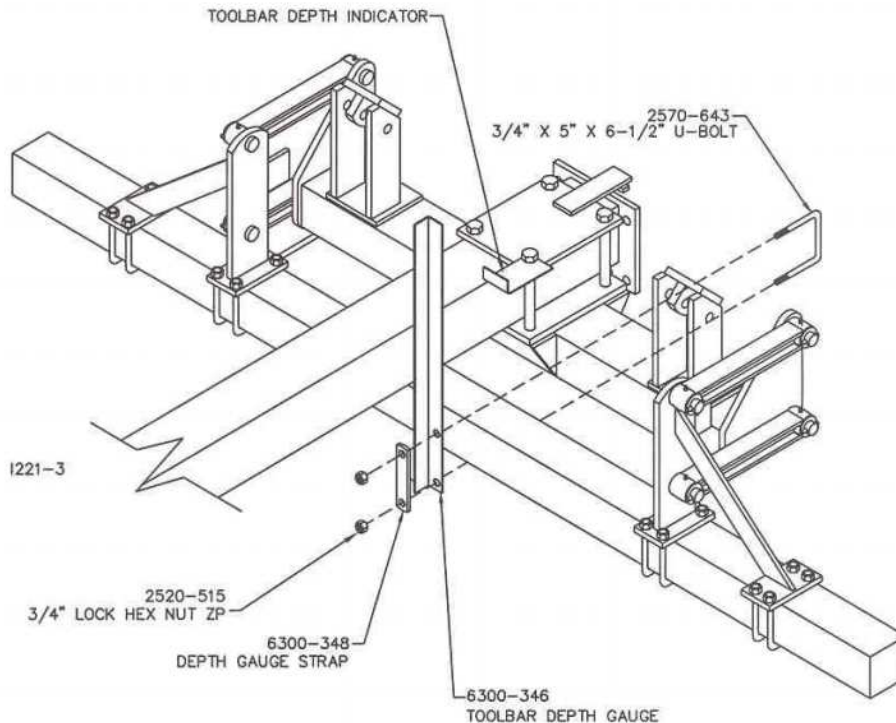
ASSEMBLY INSTRUCTIONS

Hanger Bar

STEP 1. Attach the hanger bar assembly to the 8" x 8" center frame using the 4) 1" x 11" hex bolts and 1" hex lock nuts. The right rear bolt is also used to attach the toolbar depth indicator 6300-347. Position the assembly on the center frame with 6300-212 toolbar flange plate w.a. hook over the drawbar flange plate. Torque the 1" bolts to 670 ft. lbs.



STEP 2. Attach the toolbar depth gauge to the rear of the toolbar using 1) 3/4" x 5" x 6-1/2" u-bolt, 6300-348 strap, and 3/4" lock nuts. Locate the depth gauge up to the right hand side of the center frame.

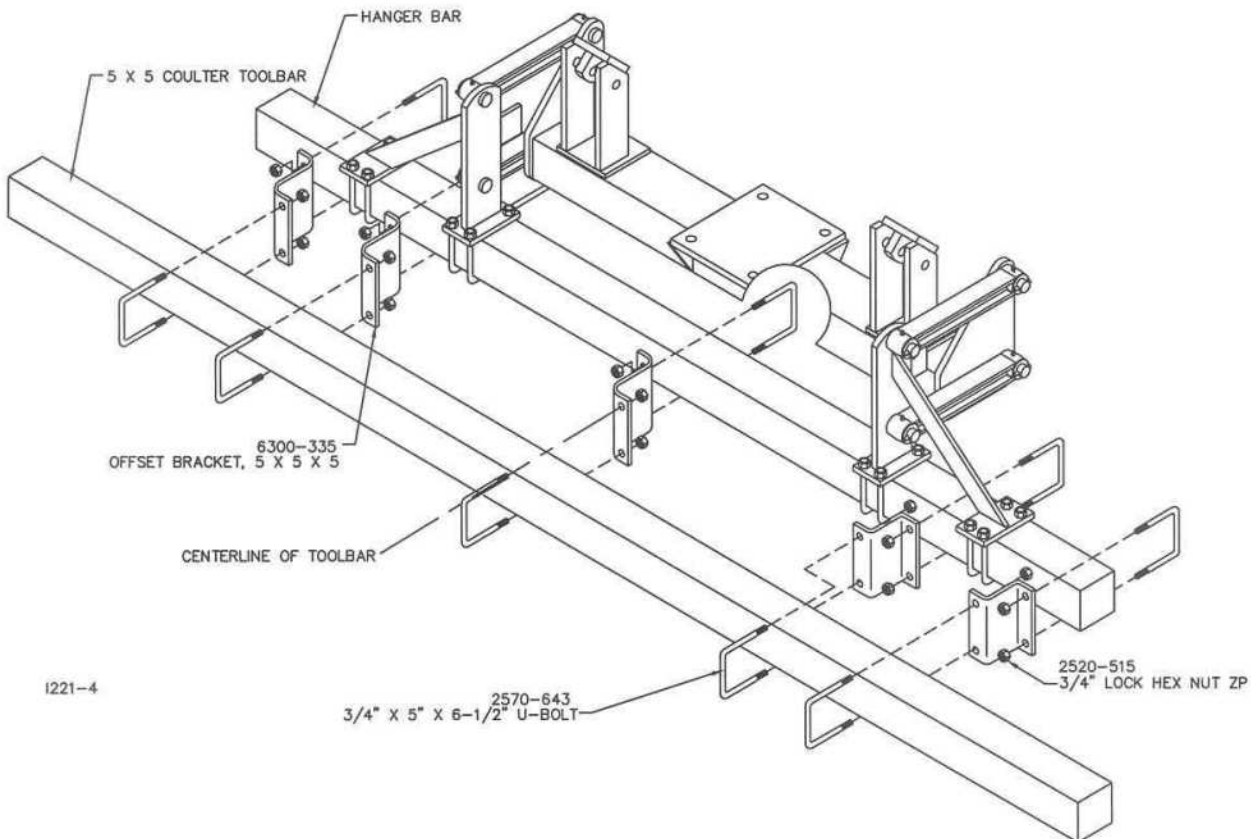


ASSEMBLY INSTRUCTIONS

Attaching the 5" x 5" coulter toolbar to the hanger bar

STEP 3. A coulter will be mounted on the cart directly in line with each opener on the implement that will be mounted on the cart. Most implements have an even number of openers with no opener in the center, measure the length of the 5" x 5" toolbar and mark the centerline.

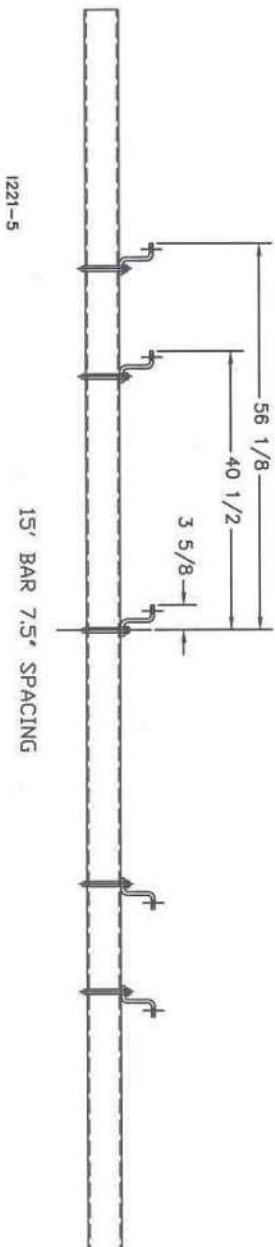
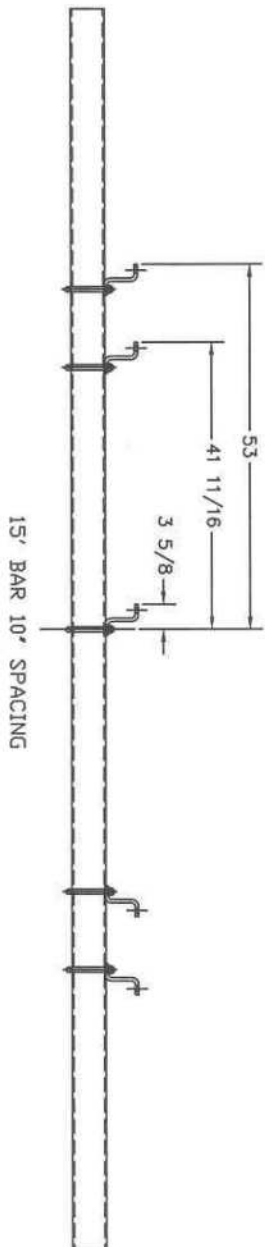
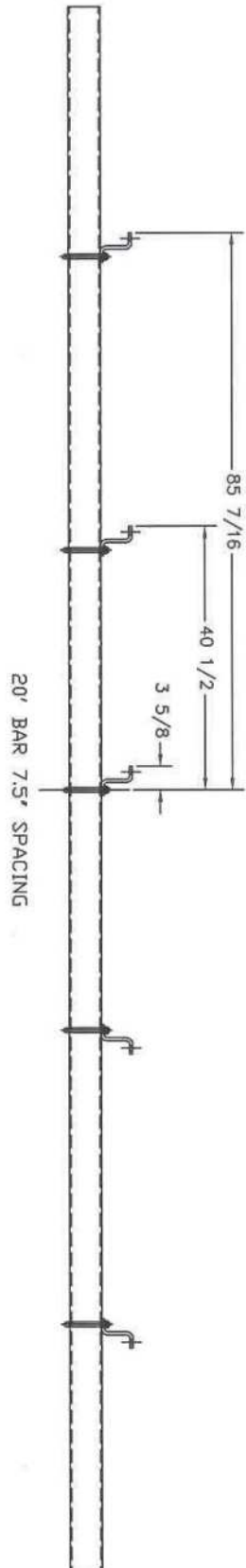
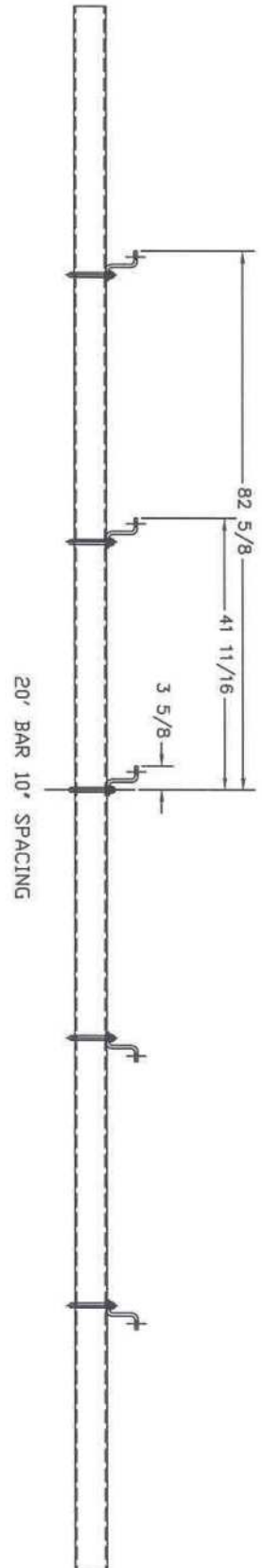
STEP 4. Align the center of the coulter toolbar with the center of the frame. Attach the 5" x 5" toolbar to the rear of the hanger bar using the offset brackets, $\frac{3}{4}$ " u-bolts, and $\frac{3}{4}$ " lock nuts. Rigidly fasten one bracket between the toolbar with the rear u-bolt on the center line (on even number of coulters) of the coulter toolbar. Assemble the four remaining brackets to the toolbar; refer to the illustration below. The location of the bracket is determined by the width of the toolbar and the row spacing of the implement.



SEE THE FOLLOWING PAGE FOR EXACT BRACKET LOCATIONS

ASSEMBLY INSTRUCTIONS

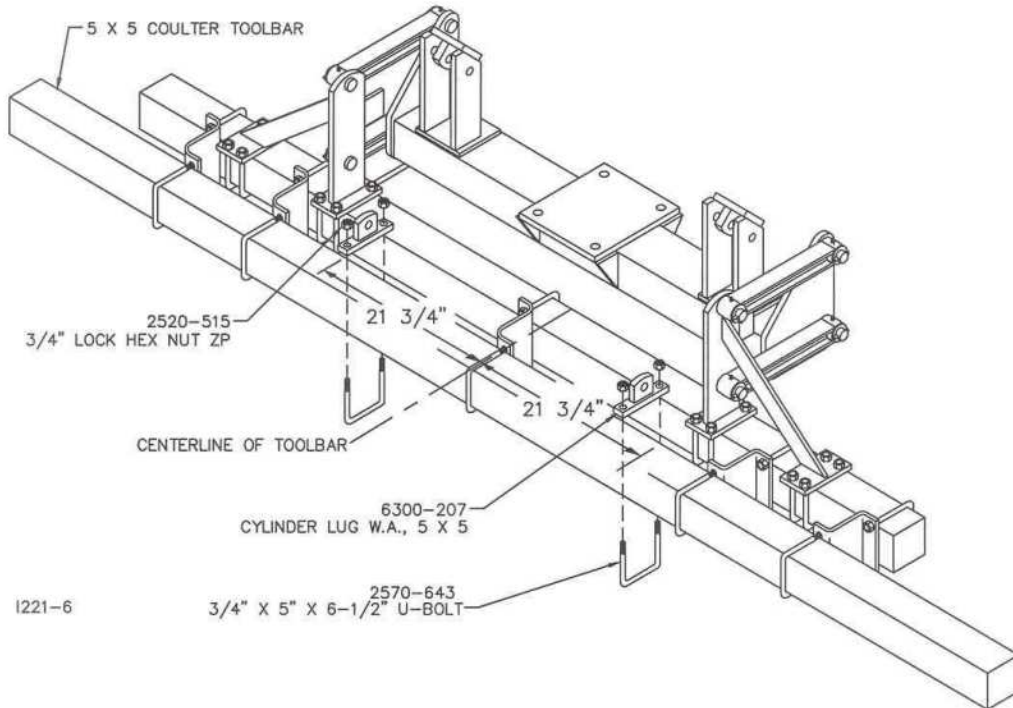
LOCATIONS FOR OFFSET BRACKETS



1221-5

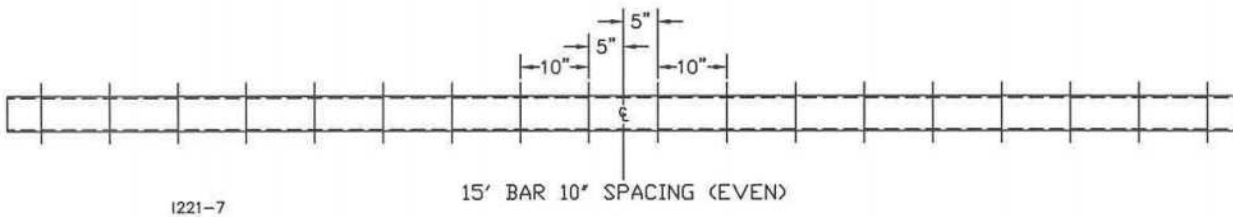
ASSEMBLY INSTRUCTIONS

STEP 5. Attach the 2) 6300-207 cylinder lugs to the coulters toolbar using $\frac{3}{4}$ " u-bolts and $\frac{3}{4}$ " lock nuts. Locate the inside edge of the cylinder lug $21\frac{3}{4}$ " from the centerline of the coulters toolbar.



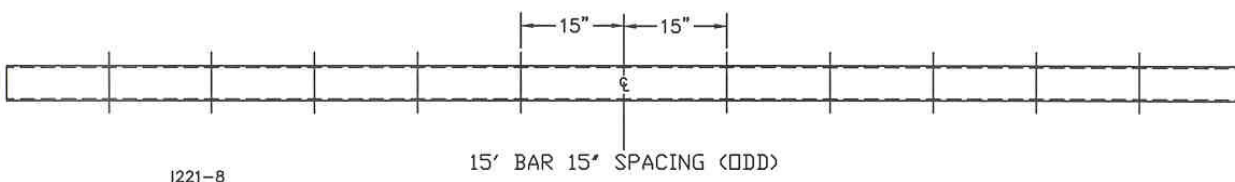
Clamp Kits: Even number of openers

STEP 6A. Determine the location on the 5" x 5" toolbar. If your implement has an even number of openers, divide the row width by two and chalk mark that distance for the first coulters on each side of the centerline. Now mark the rest of the toolbar for the coulters location, measuring from the two center coulters. See example of even number of openers on 10" spacing.



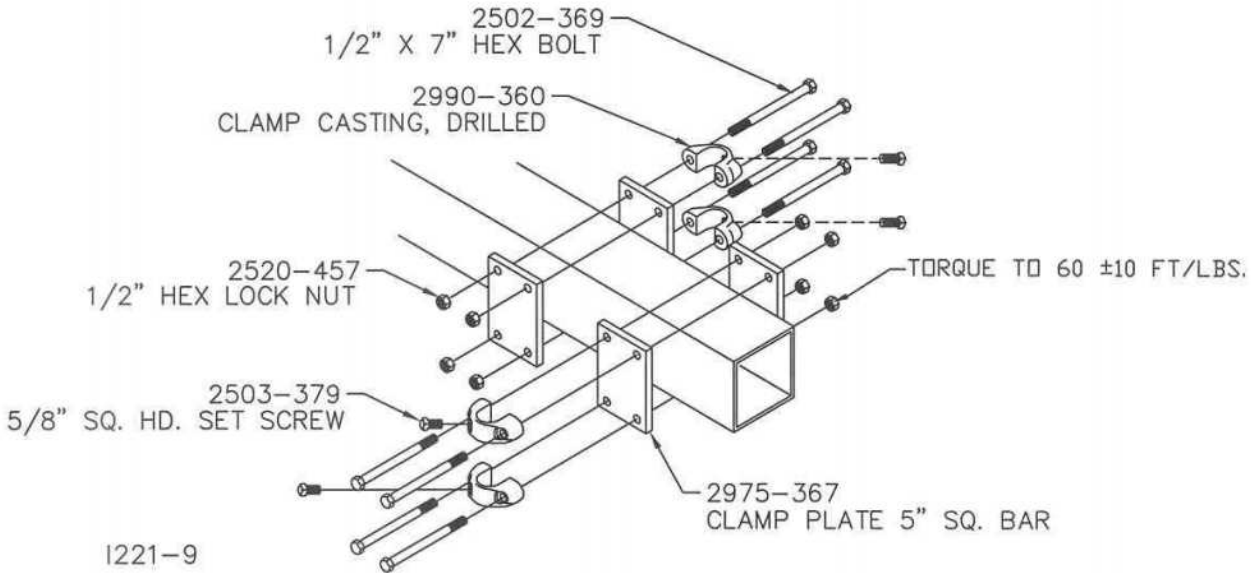
Clamp Kits: Odd number of openers

STEP 6B. Determine the location on the 5" x 5" toolbar. If your implement has an odd number of openers, start on the centerline of the toolbar and measure each way the distance of the row spacing and mark the location of each coulters. See example of odd number of openers on 15" spacing.

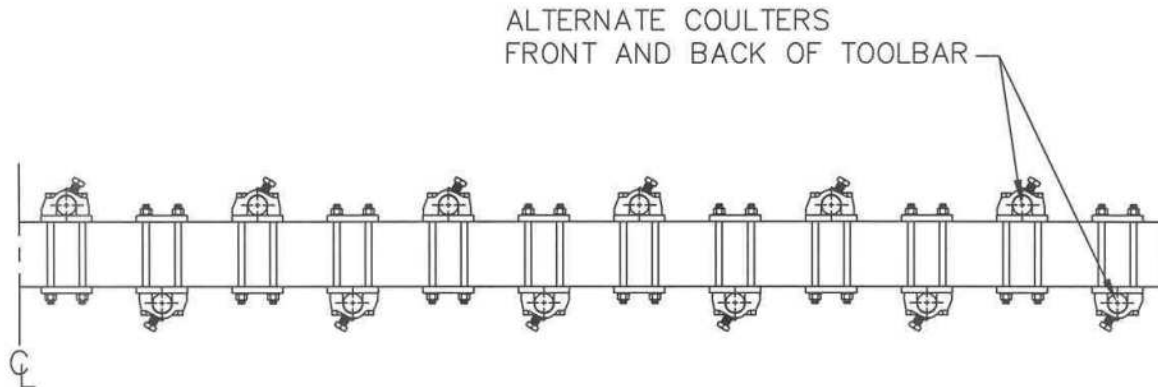


ASSEMBLY INSTRUCTIONS

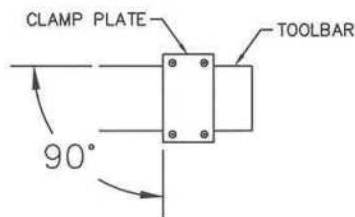
STEP 7. Mount a set of clamp plates to the toolbar at each chalk mark using 4) 1/2" x 8" bolts, 2) shank clamp castings, and 1/2" lock nuts.



For crop residue flow through the coulter, it is best to mount the coulters alternating to the front and to the backside of the toolbar.



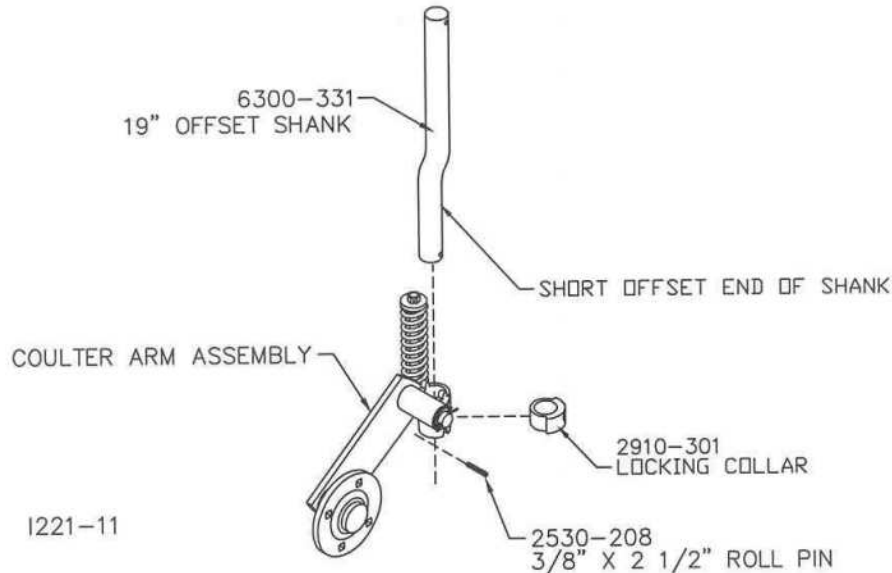
1221-10



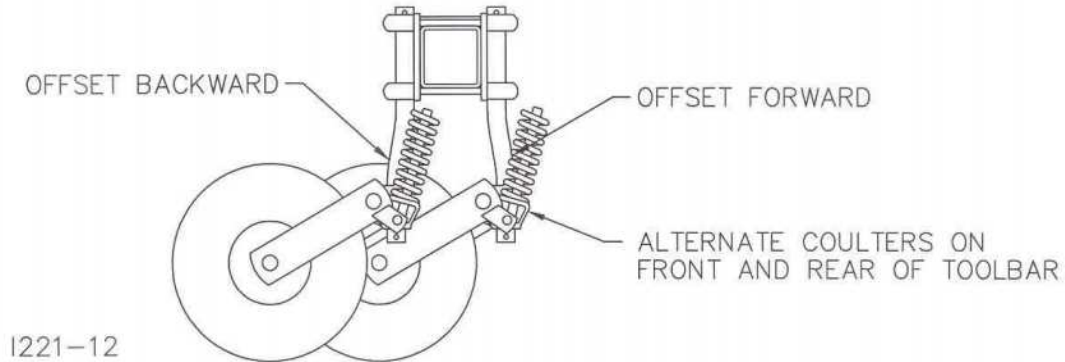
NOTE: It is very important; before tightening the bolts, that the clamp plates be square to the toolbar.

ASSEMBLY INSTRUCTIONS

STEP 8. Insert the locking collar into the pivot casting of the coulters assembly. Slide the shorter offset end of the shank down through the assembly and drive the 3/8" x 2 1/2" roll pin through the bottom hole of the shank for a retainer.

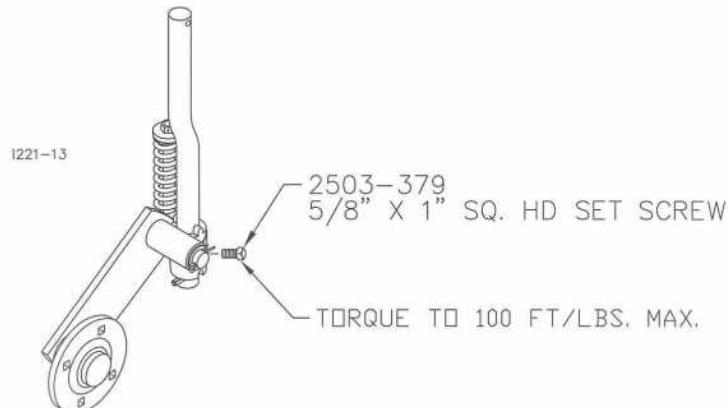


NOTE: For additional clearance for and aft of the coulters blades, assemble half of the coulters with the lower portion of the offset shank forward (to be mounted on the front of the toolbar) and assemble the remaining coulters with the offset shank backward (to be mounted on the rear of the toolbar).



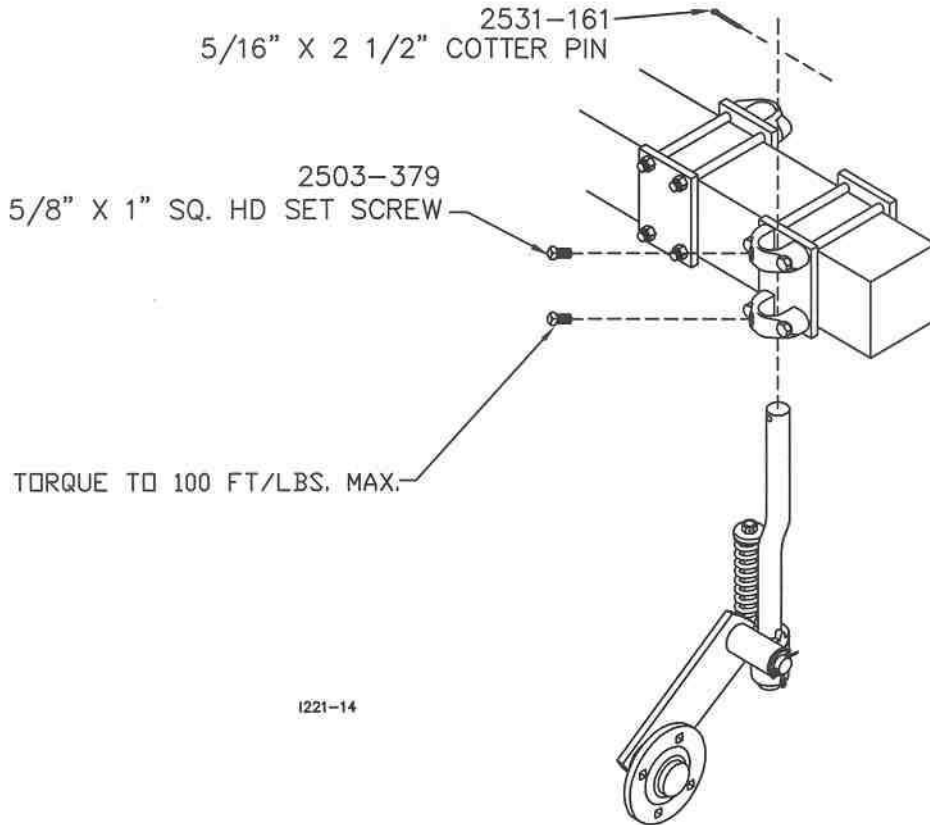
STEP 9. Screw the 5/8" x 1" square head set screw into the locking collar; triple tighten (tighten, loosen, tighten, loosen, tighten) to 100 ft. lbs. max. torque. The locking collar should carry the weight of the coulters instead of the roll pin.

Note: Do not allow the roll pin to set into the notch of the pivot casting since that will lock the coulters from swiveling.

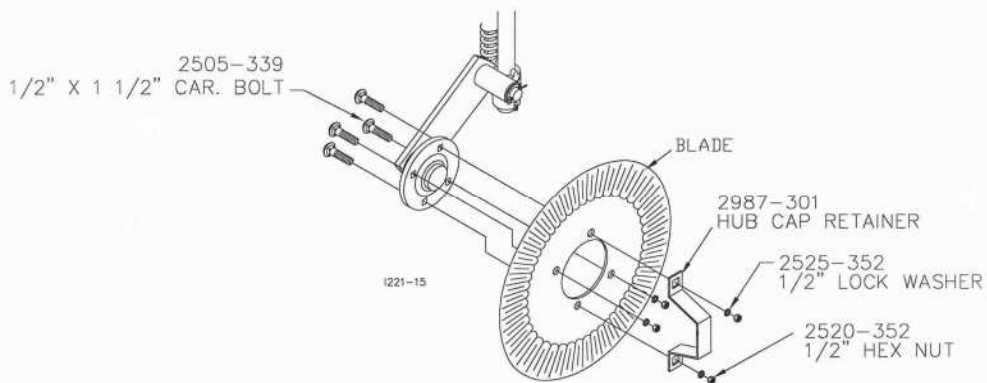


ASSEMBLY INSTRUCTIONS

STEP 10. Slide the shank up through the clamp castings and retain by installing a 5/16" x 2 1/2" cotter pin in the top hole of the shank. Allow the shank to hang on the cotter pin and triple tighten the 5/8" x 1" square head set screw into each clamp casting.



STEP 11. Install the blade to the coulter hub using 4) 1/2" x 1 1/2" carriage bolts, 1/2" lock washers and 1/2" hex nuts. Rotate the blades checking for wobble and clearance. If blade wobble is excessive, check for burrs on hub mounting surface or loose bearings. Correct the problem and recheck for wobble in the blade.

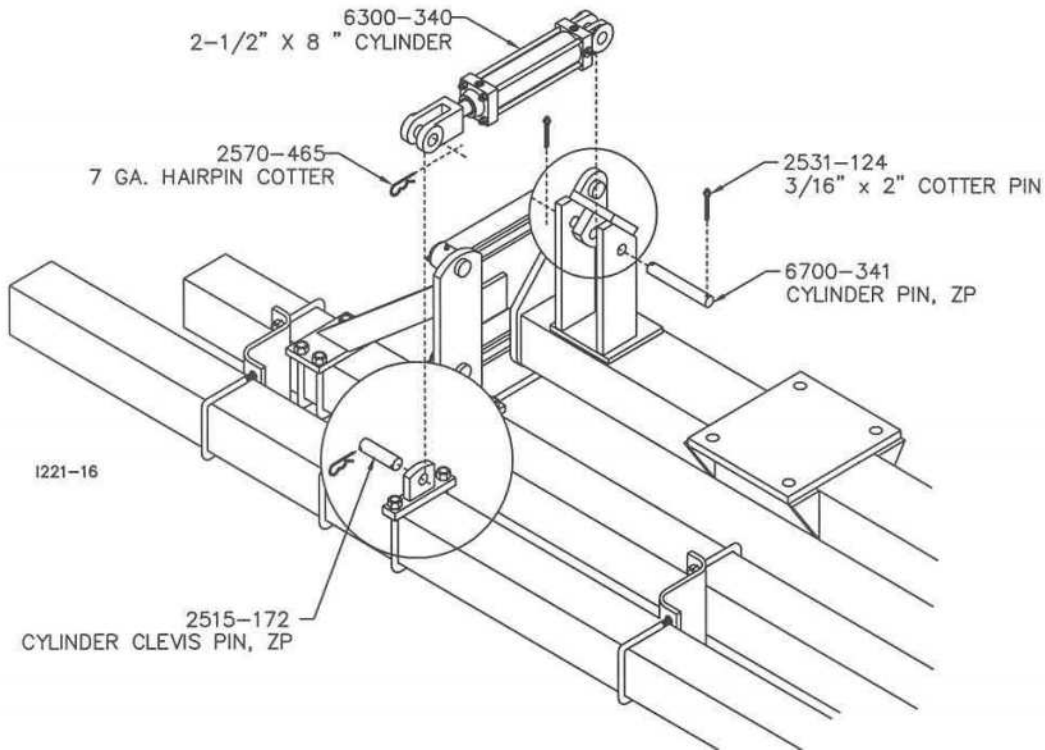


IMPORTANT: CHECK ALIGNMENT OF DRILL OPENERS TO COULTERS IN THE FIELD BEFORE PROCEEDING TO PLANT SEED. MINOR CORRECTIONS TO ALIGNMENT CAN BE MADE BY ROTATING THE OFFSET SHANKS, LARGE ADJUSTMENTS REQUIRE MOVING THE CLAMP KIT ON THE TOOLBAR.

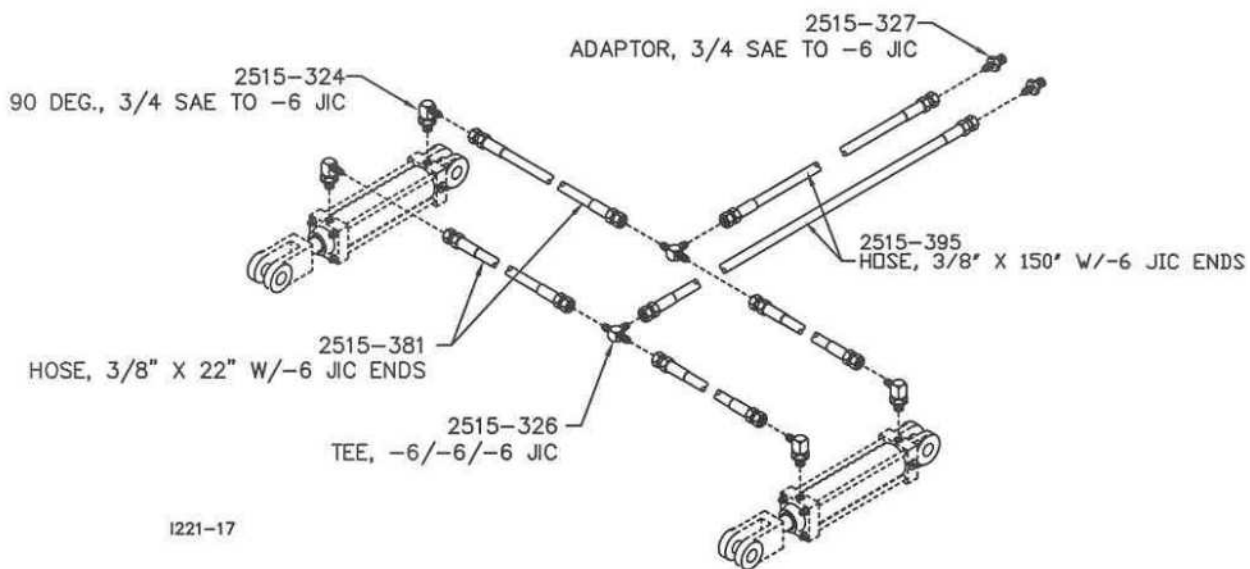
ASSEMBLY INSTRUCTIONS

Toolbar Hanger Assembly

STEP 12. Install the 2 1/2" x 8" hydraulic cylinder base end and clevis to the toolbar hanger using the 6 5/8" cylinder pin and 3/16" x 2" cotter pins. Attach the rod end of the cylinder to the coupler toolbar cylinder lug using the 3 3/4" pin and 2) 7 ga. hairpin clip.



STEP 13. Remove the port plugs from the 2 1/2" x 8" hydraulic cylinders and install the 90 deg. hose fitting. Attach the 3/8" x 22" hose to each fitting. Connect the two hoses attached to the base end of the cylinders using a tee hose fitting and also connect the hoses attached to the rod end of the cylinders. Now connect the 3/8" x 150" hoses to the tee fittings and route the hoses toward the drawbar clevis. Install the tip adaptors to the tractor end of the 3/8" x 150" hoses.

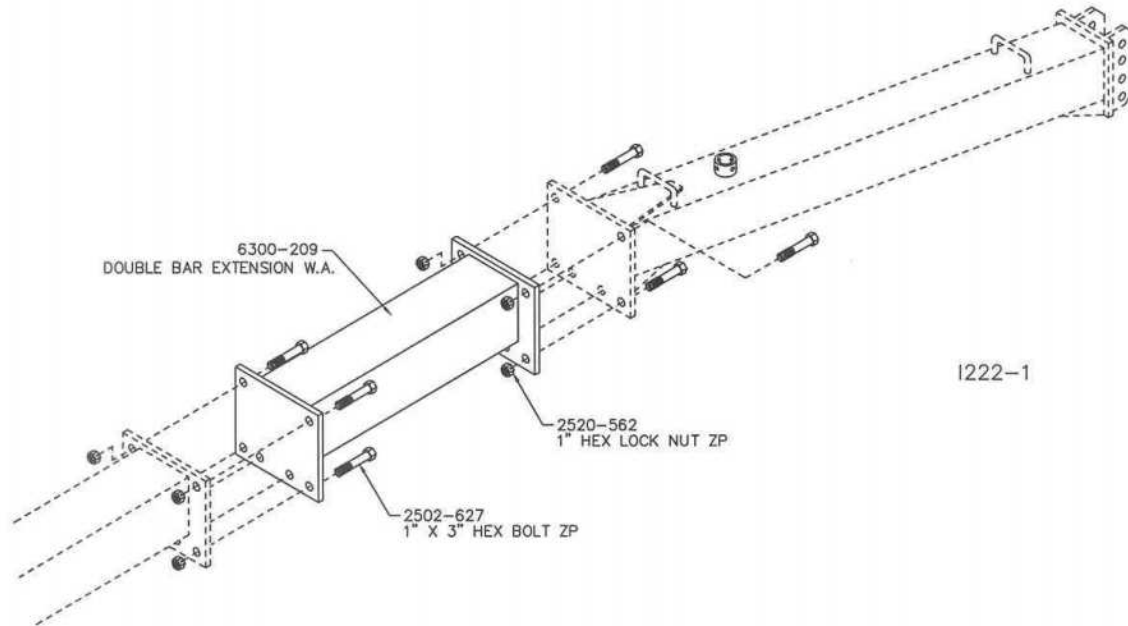


ASSEMBLY INSTRUCTIONS

Optional Second Toolbar

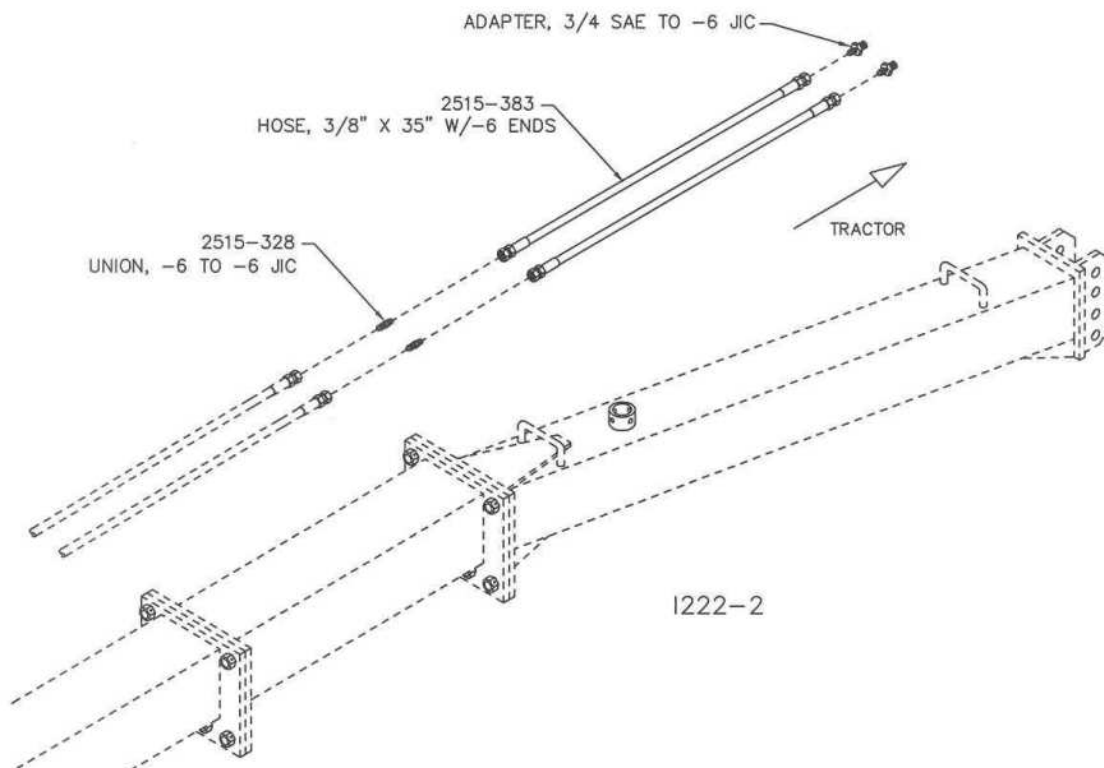
STEP 1. Hydraulically lower the coulters cart so that the coulters are touching a hard, level surface.

STEP 2. Remove the drawbar 6300-202 from the cart main frame. Bolt in the double bar extension 6300-209 and reattach the drawbar using the 1" x 3" hex bolts and 1" locknuts. (Torque to 400 ft. lbs.)



STEP 3. Mount the additional hanger assembly on the tongue extension. Refer to **STEP 1.** of the assembly instructions for the hanger bar assembly.

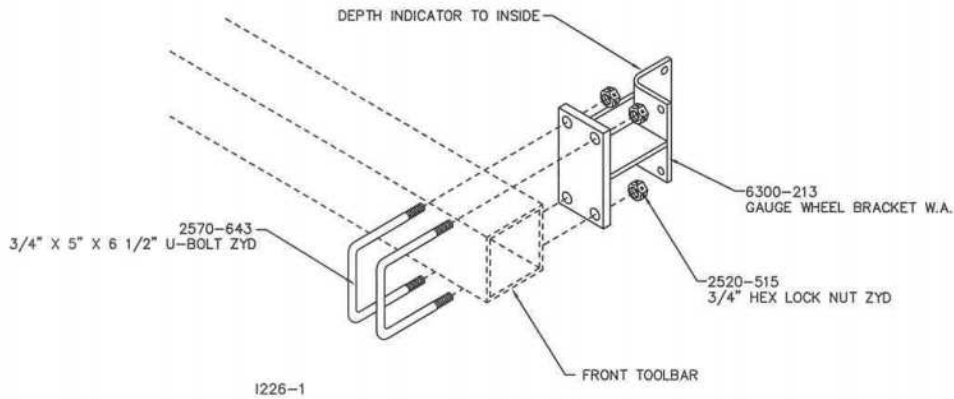
STEP 4. Install the 3/8" x 35" hydraulic hoses to the end of existing hoses of the transport lift using the 3/8" union fittings.



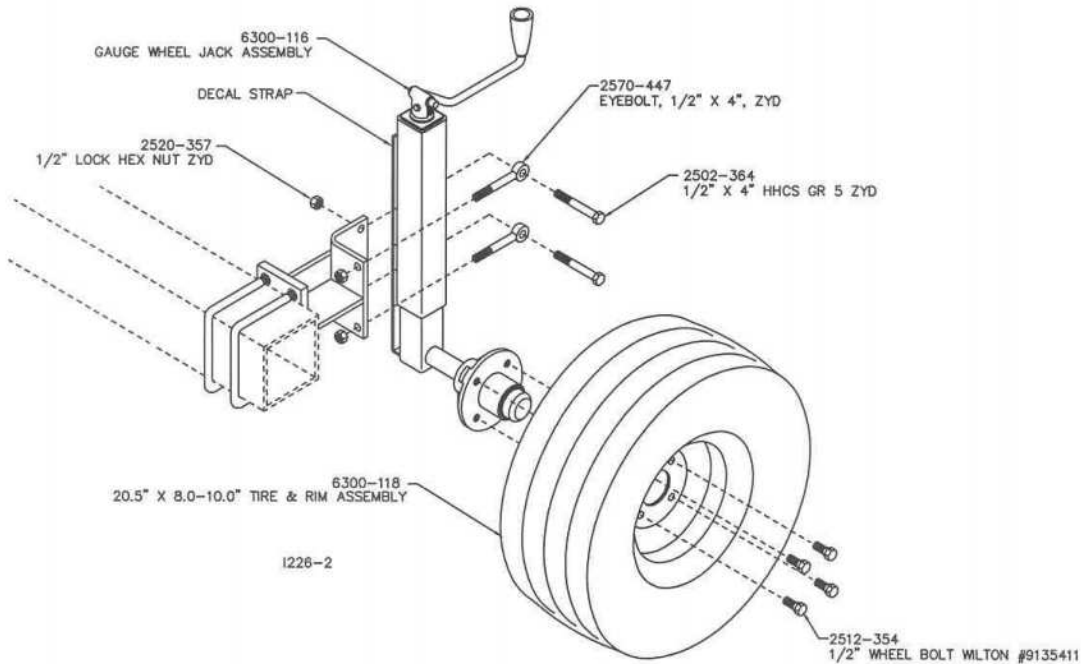
ASSEMBLY INSTRUCTIONS

Optional Toolbar Gauge Wheels

STEP 1. Attach the gauge wheel bracket near the end of the front toolbar using 2) 3/4" x 5" x 6 1/2" u-bolts and 3/4" lock nuts. Mount the bracket with the depth indicator to the inside of the cart.

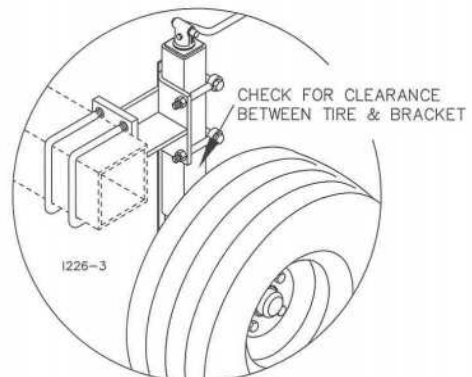


STEP 2. Mount the jack assembly to the gauge wheel bracket by installing the jack from the front. The decal strap needs to be between the depth indicator and the bracket. Secure the jack assembly with 2) 1/2" x 4" eyebolts, 2) 1/2" x 4" hex bolts and 1/2" hex lock nuts. **DO NOT OVER TIGHTEN.**



STEP 3. Mount the tire/rim assembly to the hub using 4) bolts. The recommended torque on these bolts is 85-95 ft.

STEP 4. Check clearance of tire and the gauge wheel slide the jack assembly as necessary to ensure clearance.



1/2" wheel lbs.

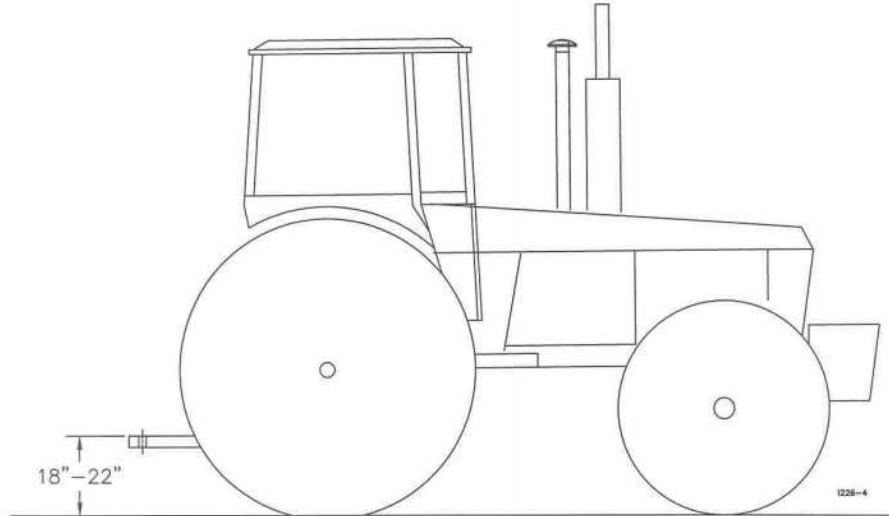
bracket;

OPERATION

PREPARING THE TOOLBAR

Drawbar Height

The Yetter model 6300 coultter cart is designed to operate on tractors with drawbar heights from 18" to 22" from the ground to the top of the drawbar. On certain tractors the drawbar can be turned over to obtain the correct height.

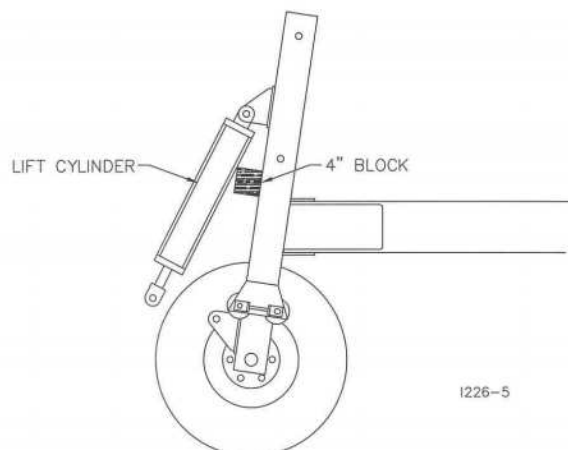


Hydraulic Hook Up

1 **DANGER:** Inspect and replace worn or frayed hydraulic hose. Keep all connections tight, escaping hydraulic fluid under pressure can have sufficient force to penetrate the skin and cause serious personal injury. Fluid escaping from a small hole can be almost invisible. Use a piece of cardboard or wood rather than hands to search for suspected leaks. Failure to heed may result in personal injury or death.

The Yetter coultter cart requires two remote hydraulic valves on the tractor for proper operation. Before operating in the field, perform the following steps.

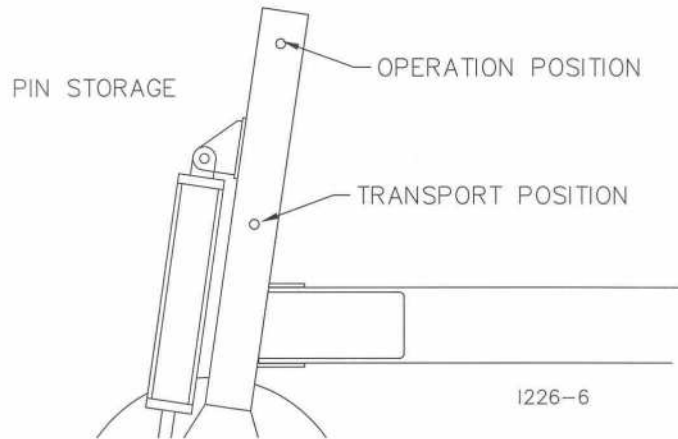
1. Connect the Yetter cart to the tractor drawbar before operating the cart hydraulic system. Check the tractor hydraulic system fluid level. Filling all four cylinders with fluid will require approximately 2 ½ gallons. DO NOT operate tractor hydraulics when fluid level is too low.
2. Disconnect rear lift cylinder rod-end pins when the weight is relieved from the cylinders. Space the cylinder away from the frame by placing 4" wide blocks between the cylinder and frame to allow the rods to extend freely.



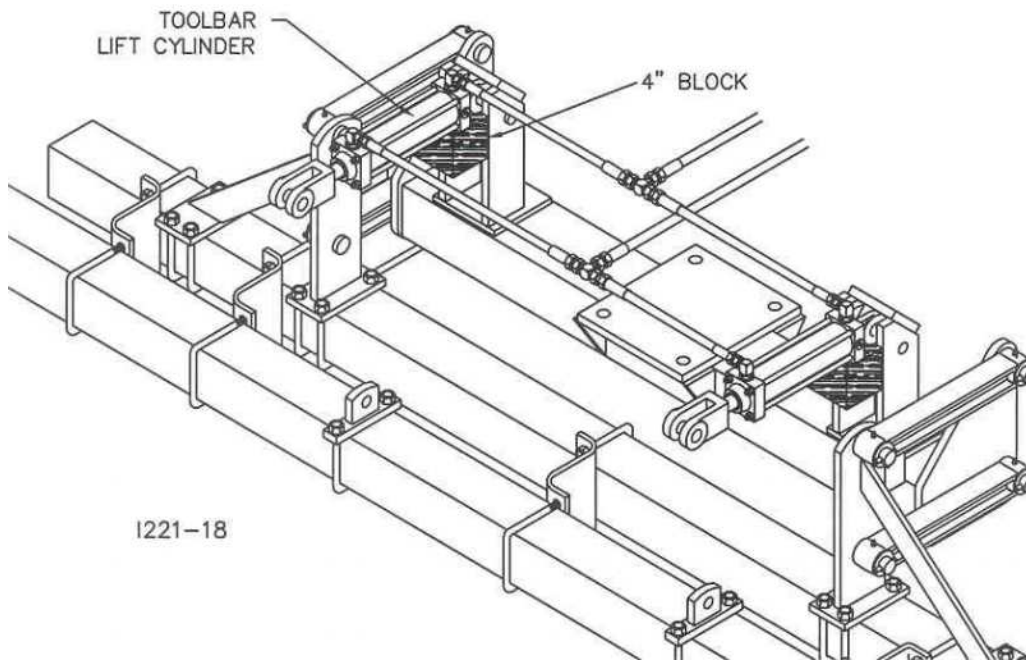
OPERATION

Hydraulic Hook Up Continued

3. Connect the two hoses from the transport lift system to the tractor. The hydraulic hoses are provided with the adapter attached. Use $\frac{3}{4}$ -16" standard thread quick coupler tips such as CASE-IH part no. 1285718C or DEERE part no. AR94522.
4. Extend cylinder slowly while watching to see that the rod ends do not hit any obstruction. Because these are re-phasing cylinders, the left cylinder will extend first and then the right.
5. Hold hydraulic lever in extend position for 15 seconds after cylinders are fully extended to purge air from the system.
6. Recheck tractors fluid level and refill if necessary.
7. Cycle cylinders back and forth a couple of times to see that they operate together. Hold the lever in the extended position a few seconds after each cycle for additional air purging.
8. Retract the cylinders and reconnect rod-end pins and hairpins.
9. Raise lift cylinders and install transport lock pins in lower set of holes in the vertical tubes for transport. Store pins in the upper set of holes during operation.



10. Repeat steps 1-9 to purge air from the coultter toolbar lift cylinders.



NOTE: After purging the hydraulic system, check adjustment and operation of transport wheel rollers. These rollers must turn when the cart is lowered or raised. Adjust the rollers as necessary.

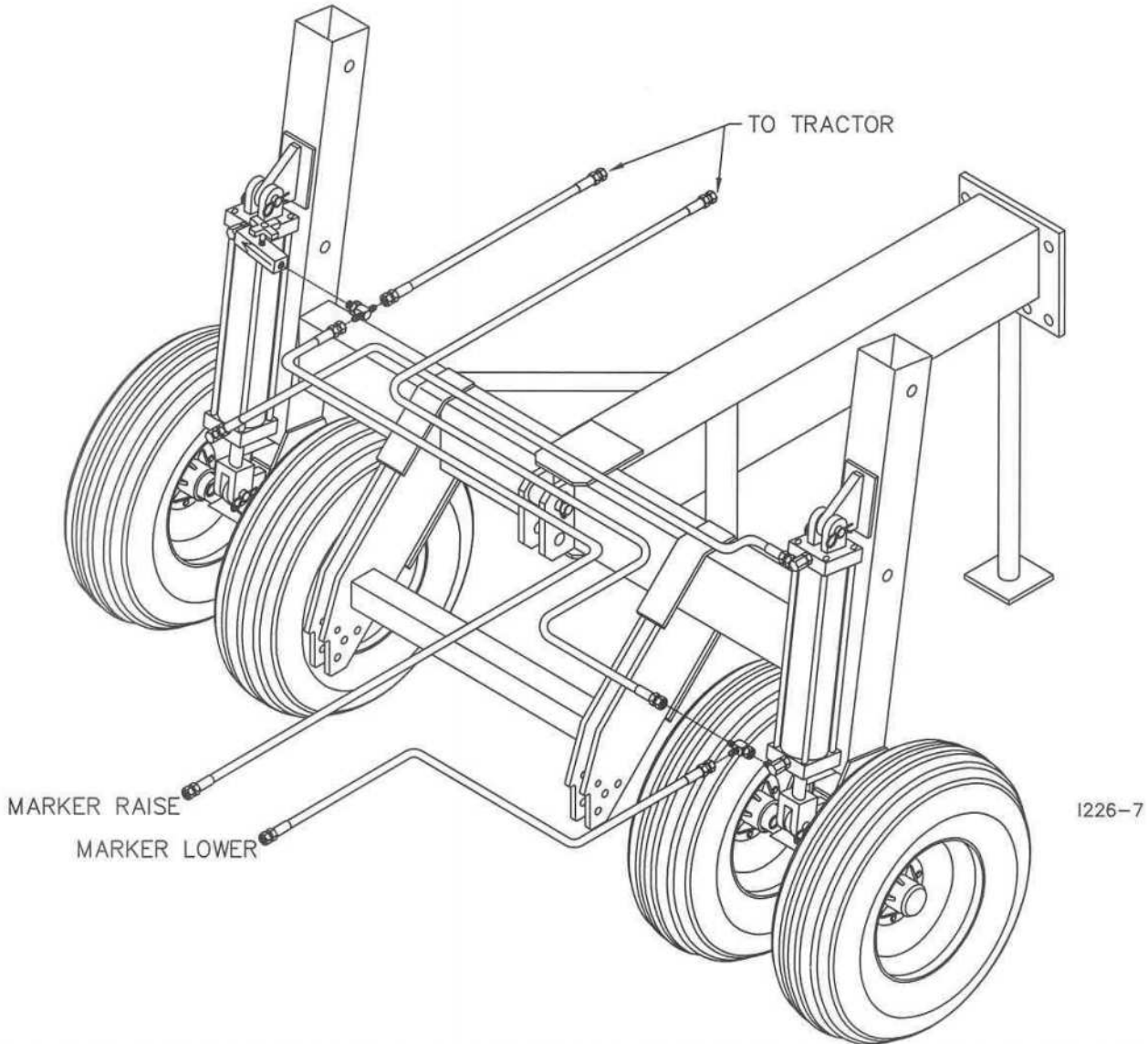
OPERATION

MARKER HYDRAULICS

Row marker may be plumbed into the cart transport lift system.

STEP 1. Plumb the “LIFT/RAISE” hydraulic hose of the marker system to the top end of the left cart cylinder (4 x 20).

STEP 2. Plumb the “DROP/LOWER” hydraulic hose of the marker system to the bottom end of the right cart cylinder (3 ¾ x 20).



NOTE: After purging the hydraulic system of air. Check the adjustment and operation of transport wheel rollers. These rollers must turn when the cart is raised and lowered. Inspect and lubricate the upper and lower rollers daily.

OPERATION

ATTACHING IMPLEMENT

 **WARNING:** Be sure the attached implement is securely locked in the hitch of the cart before operating. Failure to heed may result in personal injury or death.

 **WARNING:** Always install the transport lock pins when transporting at any time. Failure to heed may result in personal injury or death.

The Yetter coultter cart is designed for use with 3 point mounted grain drills, planters and other integral / mounted implements.

The implement must be equipped with a category II or III spreader bar with category II spread or the implement must have a category II hitch.

STEP 1. Carefully back the Yetter cart to the implement. Raise or lower the cart to align the hitch of the cart with the pins of the implement.

STEP 2. Secure the hitch locks with the 6300-102 pins and 7 ga. hairpins. Connect the adjustable top link of the cart to the lower hole in the center anchor of the implement. Lock the jam nut when the leveling adjustments are completed.

Proper operation of the implement requires the frame to be level from front to rear as well as side-to-side. Refer to the manufactures of the implement's operation manual for more instructions. During field operation, the toolbar frame height must be controlled by the position of the drive/gauge wheels of the drill. Always fully lower the cart and retract the lift wheels when seeding/planting.

IMPORTANT: Check clearance of the implement and the cart transport tires. A quick hitch may be required when using certain implements to space implement from tires.

IMPORTANT: Yetter carts used with subsoilers/rippers are not to be used where rocks or other obstructions are present and are subject to the following limitations; subsoiler no larger than 5 shanks, tractor not to exceed 280 flywheel horsepower.

OPERATION

FIELD OPERATION



WARNING: Do not allow children to operate this equipment. Do not allow riders on the tractor. Failure to heed may result in personal injury or death.

Lift cylinders raise the cart. Since the attached implement is a 3-point mounted unit it will raise with the cart. The cart is lowered when the lift cylinder lifts the transport wheels off the ground. The wheels of the implement then support the cart.

The toolbar cylinders regulate the depth of the coulters on the cart. A parallel linkage allows adjustment to the coulters depth without affecting the depth setting of the implement.

The planting depth is controlled by the gauge wheel setting of the implement unit. See owner's manual for your implement.

NOTE: In extremely difficult no till conditions such as hard packed soil it may be necessary to fill the transport tires with fluid to add weight to the rear of the cart forcing the coulters to cut. The spring adjustment nut on the coulters can also be tightened. Also, an optional weight kit 6300-129 (10 suitcase weight capacity) is available.

IMPORTANT: Do not adjust the coulters depth so deep that the coulters hubs are running in the soil. This will cause premature bearing failure.

COULTER ADJUSTMENTS

COULTER SPRING TENSION

Spring tension is set at the factory with $\frac{3}{4}$ " locknut flush with the end of the spring rod. In hard or dry conditions additional spring pressure may be attained by tightening the locknut down a maximum of $\frac{1}{2}$ ".

COULTER BLADE TRACKING

Minor adjustments to align the coulters blades with the attached implement can be made by loosening the set bolt in the shank clamps and rotating the offset shanks to align the coulters with the opener on the drill.

IMPORTANT: Do not adjust the coulters depth so deep that the coulters hubs are running in the soil, this will cause premature bearing failure. See coulters operation manual for further information.

OPERATION

WARNING: Never clean, lubricate or adjust a machine that is in motion. Failure to heed may result in serious personal injury or death.

COULTER BLADE WEAR

Blade wear can affect performance in loose trash conditions. Depth control and plugging problems can result. It may be necessary to replace blades.

WARNING: If required to service unit in raised position, be sure to install all transport lock pins. Failure to heed may result in serious personal injury or death.

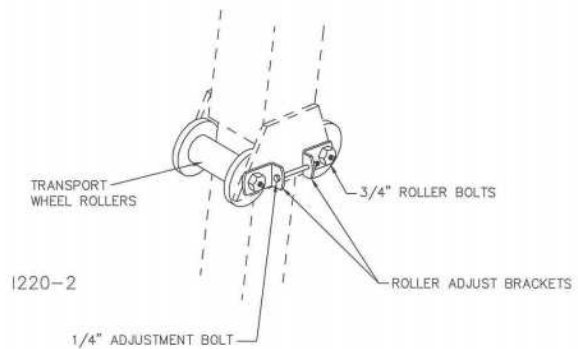
DANGER: Inspect and replace worn or frayed hydraulic hose. Keep all connections tight. Escaping hydraulic fluid under pressure can have sufficient force to penetrate the skin and cause serious personal injury. Fluid escaping from a small hole can be almost invisible. Use a piece of cardboard or wood rather than the hands to search for suspected leaks. Failure to heed may result in serious personal injury or death.

TRANSPORT ROLLER ADJUSTMENT

Check and adjust transport wheel rollers if necessary every 100 hours.

To adjust transport wheel rollers loosen $\frac{3}{4}$ " roller bolts and adjust $\frac{1}{4}$ " bolts as necessary to eliminate transport wheel wobble. **Ensure the rollers do turn** when cart is raised and lowered, then tighten the $\frac{3}{4}$ " roller bolts.

Grease every 25 hours with general multi-purpose grease.



LUBRICATION

WARNING: Never clean, lubricate or adjust a machine that is in motion. Failure to heed may result in serious personal injury or death.

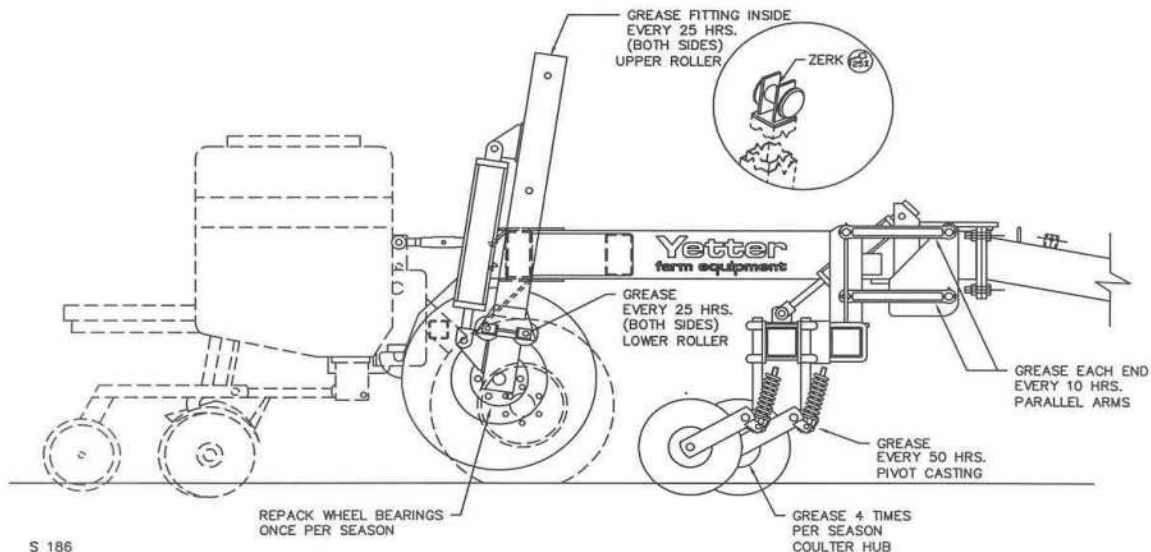
Grease with general-purpose grease

There is a grease fitting on each transport frame guide roller and one inside the transport guide tube. This latter fitting can only be greased when the transport pin has been removed and the unit has been completely lowered. Grease every 25 hours.

Ensure that transport wheel rollers do turn when cart is raised and lowered. Adjust $\frac{1}{4}$ " bolt as necessary.

Each coultter assembly has (2) grease fittings. Grease the fitting on the pivots weekly. Grease the hub four times per season. Repack the hubs once per season.

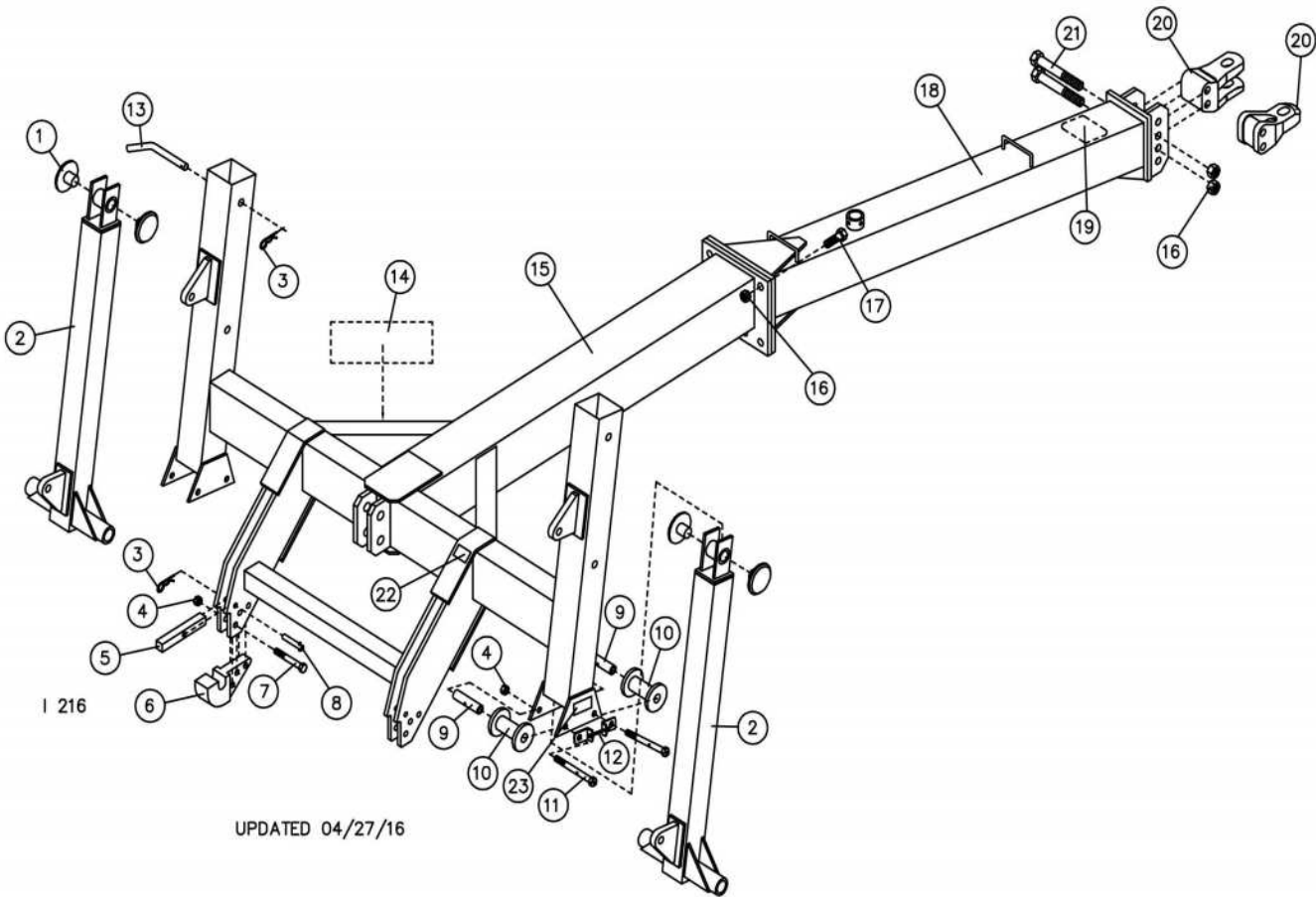
There is a grease fitting on each end of the upper and lower parallel arms. Grease every 10 hours.



S 186

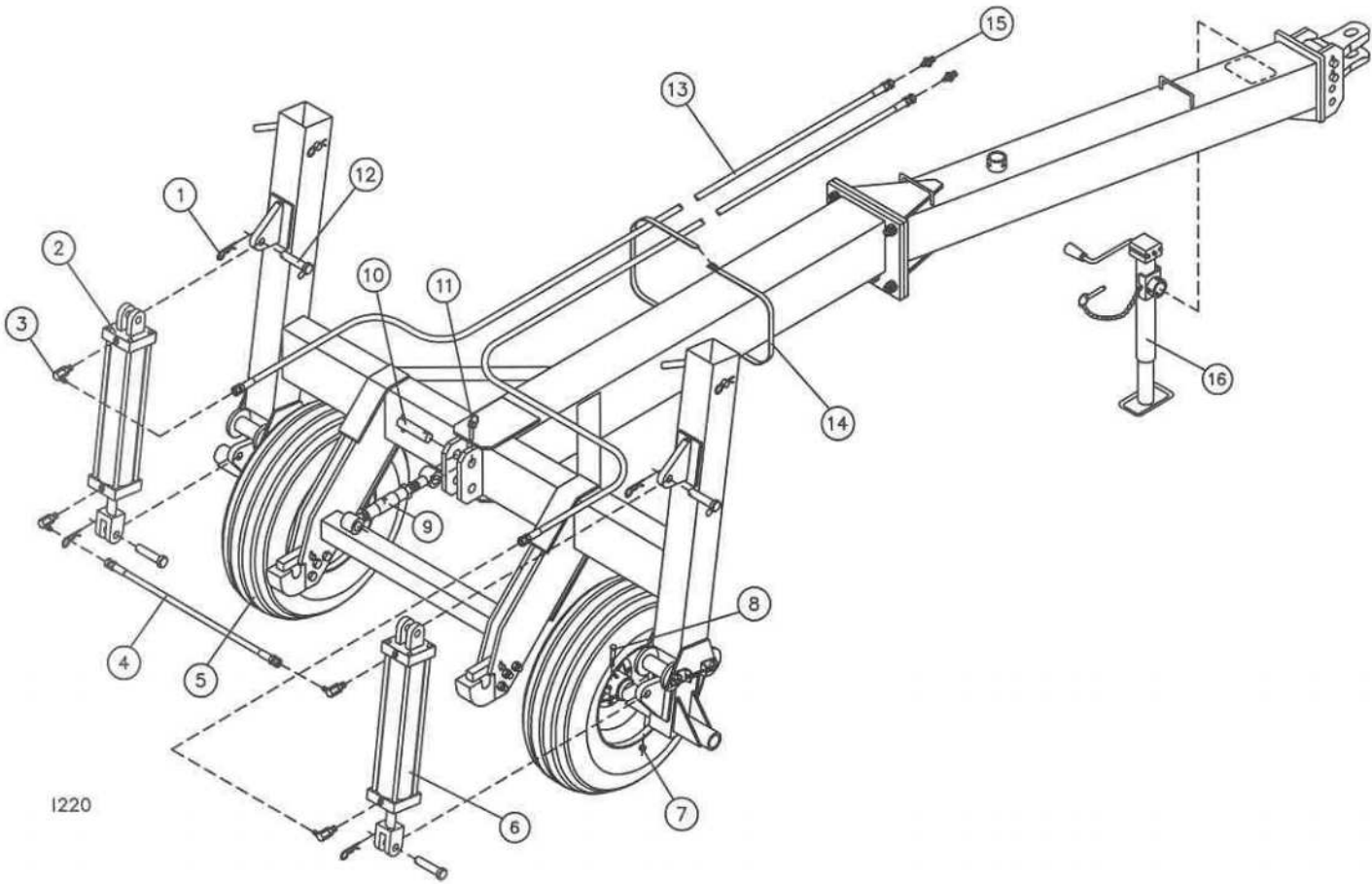
PARTS IDENTIFICATION

| KEY | QTY. | PART NO. | DESCRIPTION |
|-----|------|----------|--------------------------------|
| 1. | 4 | 6600-219 | INSERT ROLLER |
| 2. | 2 | 6600-202 | LIFT WHEEL INSERT W.A. |
| 3. | 4 | 2570-465 | 7 GA. HAIRPIN COTTER ZYD. |
| 4. | 11 | 2520-515 | 3/4-10 LOCK HEX NUT ZYD. |
| 5. | 2 | 6300-328 | HITCH LOCK |
| 6. | 2 | 6300-336 | LOWER HITCH CASTING, BLACK |
| 7. | 6 | 2502-401 | 3/4-10 X 3 1/2" HHCS GR 5 ZYD |
| 8. | 2 | 6300-102 | HITCH LOCK PIN ASSEMBLY |
| 9. | 4 | 6600-368 | ROLLER BUSHINGS |
| 10. | 4 | 6600-208 | 4" X 4" ROLLER |
| 11. | 4 | 6600-369 | ROLLER BOLT WITH ZERK |
| 12. | 4 | 6600-127 | ROLLER ADJUSTMENT ASSEMBLY |
| 13. | 2 | 6600-382 | LIFT WHEEL PIN ZYD. |
| 14. | 2 | 2565-160 | YETTER DECAL, 5 1/2" X 15 3/4" |
| 15. | 1 | 6300-201 | CART MAIN FRAME W.A. |
| 16. | 8 | 2520-562 | 1" - 8 LOCK HEX NUT ZYD. |
| 17. | 6 | 2502-627 | 1" - 8 X 3" HHCS GR 5 ZYD. |
| 18. | 1 | 6300-202 | DRAWBAR W.A. |
| 19. | 1 | 2565-278 | TONGUE WARNING DECAL |
| 20. | 1 | 6300-356 | DRAWBAR CLEVIS |
| | | 6300-330 | PULLRING |
| 21. | 2 | 2502-765 | 1" - 8 X 7 HHCS GR8 |
| 22. | 1 | 2565-466 | SERIAL NUMBER DECAL |
| 23. | 2 | 2565-802 | ROLLER DECAL |



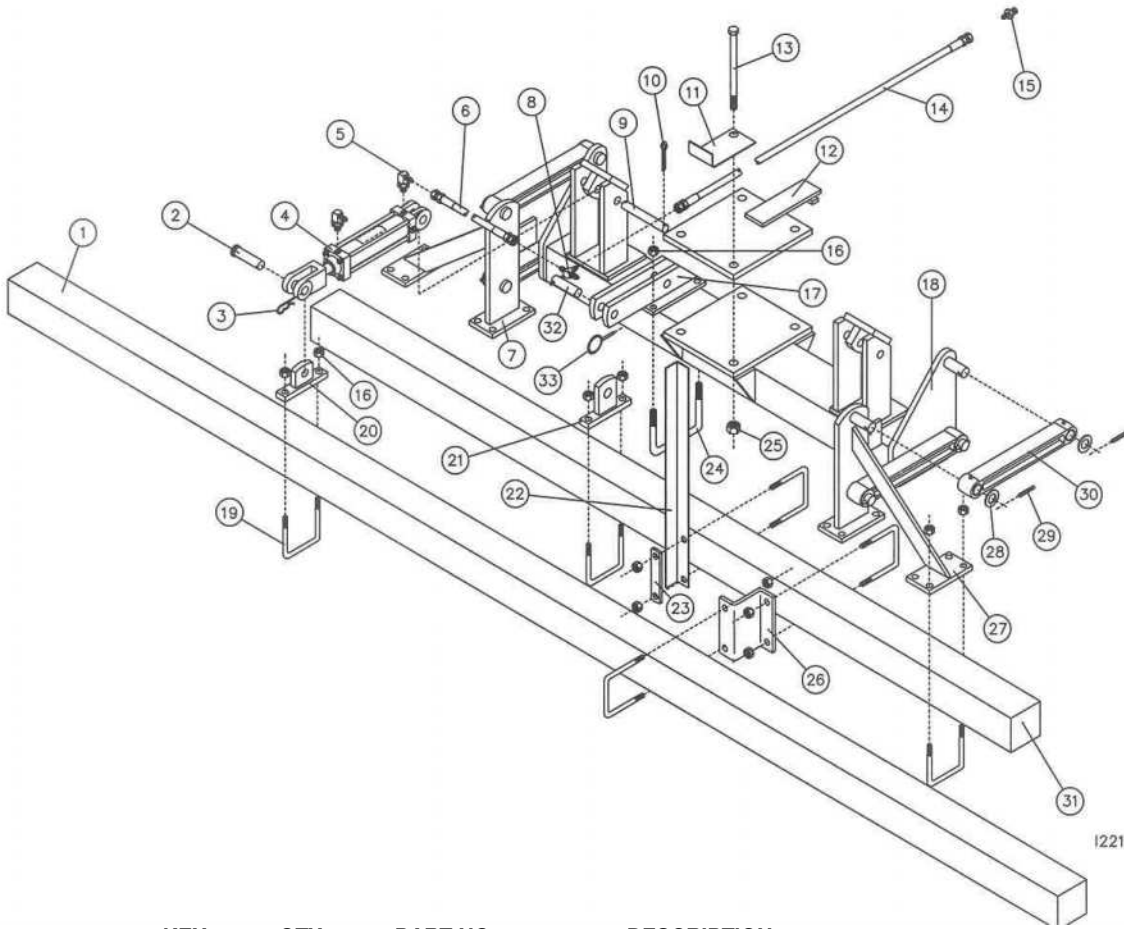
UPDATED 04/27/16

PARTS IDENTIFICATION



| KEY | QTY. | PART NO. | DESCRIPTION |
|-----|------|----------|-----------------------------------|
| 1. | 4 | 2570-465 | 7 GA. HAIRPIN COTTER ZYD. |
| 2. | 1 | 2515-344 | 4 X 20 TIE-ROD REPHASE CYL. BLACK |
| 3. | 4 | 2515-324 | 90 DEG. 3/4 SAE TO -6 JIC |
| 4. | 1 | 2515-392 | HOSE, 3/8 X 95" W/-6 F ENDS |
| 5. | 4 | 6600-146 | WHEEL & HUB (11L-15) ASS'Y |
| 6. | 1 | 2515-345 | 3-3/4 X 20 TIE-ROD REP CYL. BLACK |
| 7. | 4 | 2520-357 | 1/2-13 LOCK HEX NUT ZYD. |
| 8. | 4 | 2502-313 | 1/2-13 X 3" HHCS GR 5 ZYD. |
| 9. | 1 | 6300-101 | TOP LINK ASSEMBLY |
| 10. | 1 | 1000-121 | UPPER HITCH PIN ASS'Y |
| 11. | 1 | 2570-453 | KLIK PIN DANHUSER #1533 |
| 12. | 4 | 2515-172 | 1" X 4" CLEVIS PIN ZYD. |
| 13. | 2 | 2515-398 | HOSE, 3/8 X 240" W/-6 F JIC ENDS |
| 14. | 9 | 2515-405 | CABLE TIE, BLACK |
| 15. | 2 | 2515-327 | ADAPTER, 3/4 SAE TO -6 JIC |
| 16. | 1 | 2570-178 | JACK, H'BLOW #620214-3-SMX-1 |

PARTS IDENTIFICATION



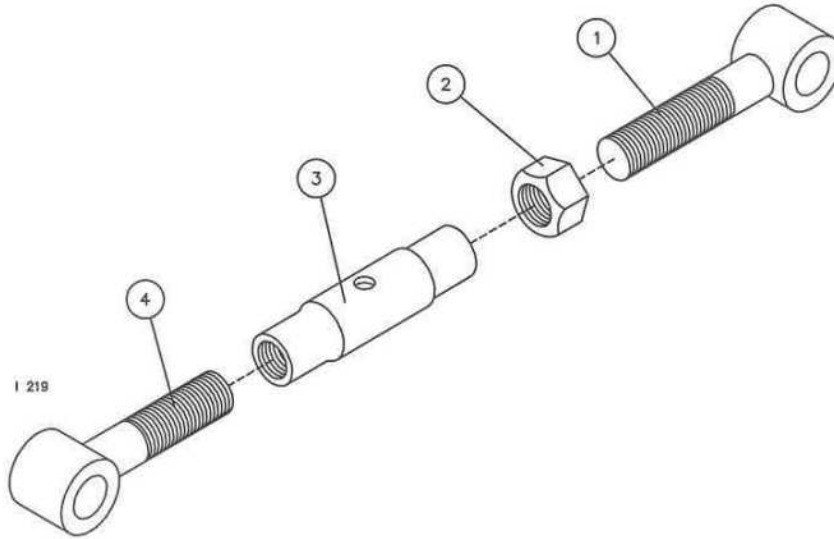
1221

| KEY | QTY. | PART NO. | DESCRIPTION |
|-----|------|----------|-------------------------------------|
| 1. | 1 | 6300-315 | 15' TOOLBAR |
| | 1 | 6300-320 | 20' TOOLBAR |
| 2. | 2 | 2515-172 | 1" X 4" CLEVIS PIN ZYD. |
| 3. | 2 | 2570-465 | 7 GA. HAIRPIN COTTER ZYD. |
| 4. | 2 | 6300-340 | 2-1/2" X 8" CYLINDER, BLACK, SAE |
| 5. | 4 | 2515-324 | 90 DEG, 3/4 SAE TO -6 JIC |
| 6. | 4 | 2515-381 | HOSE, 3/8 X 22" W/-6 JIC ENDS |
| 7. | 1 | 6300-205 | LH TOOLBAR UPRIGHT W.A. |
| 8. | 2 | 2515-326 | TEE -6/-6/-6 JIC |
| 9. | 2 | 6700-341 | CYLINDER PIN ZYD. |
| 10. | 4 | 2531-124 | 3/16 X 2" COTTER PIN ZYD. |
| 11. | 1 | 6300-347 | TOOLBAR DEPTH INDICATOR |
| 12. | 1 | 6300-212 | TOOLBAR FLANGE PLATE W.A. |
| 13. | 4 | 2502-774 | 1-8 X 11" HHCS GR 5 ZYD |
| 14. | 2 | 2515-395 | HOSE, 3/8 X 150" W/-6 JIC F ENDS |
| 15. | 2 | 2515-327 | ADAPTER, 3/4 SAE TO -6 JIC |
| 16. | 46 | 2520-515 | 3/4-10 LOCK HEX NUT ZYD. |
| 17. | 2 | 6300-208 | TRANSPORT LOCK W.A. |
| 18. | 1 | 6300-210 | TOOLBAR HANGER W.A. |
| 19. | 23 | 2570-643 | 3/4-10 X 5 X 6 1/2 U-BOLT ZYD. |
| 20. | 2 | 6300-207 | CYLINDER LUG W.A., 5 X 5 |
| 21. | 2 | 6300-211 | TRANSPORT LUG W.A., 5 X 5 |
| 22. | 1 | 6300-346 | TOOLBAR DEPTH GAUGE |
| 23. | 1 | 6300-348 | DEPTH GAUGE STRAP |
| 24. | 4 | 2570-477 | 3/4-10 X 7 X 7 U-BOLT ZYD. |
| 25. | 4 | 2520-562 | 1-8 LOCK HEX NUT ZYD. |
| 26. | 5 | 6300-335 | OFFSET BRACKET, 5 X 5 X 5 |
| 27. | 1 | 6300-206 | RH TOOLBAR UPRIGHT W.A. |
| 28. | 8 | 2527-560 | 1.28ID X 2.25OD X .132 MA. BU. ZYD. |
| 29. | 8 | 2530-208 | 3/8 X 2 1/2" ROLL PIN ZYD. |
| 30. | 4 | 6700-141 | W.T. PARALLEL ARM ASS'Y |
| 31. | 1 | 6300-321 | 10' TOOLBAR (15' TOOLBAR) |
| | | 6300-315 | 15' TOOLBAR (20' TOOLBAR) |
| 32. | 2 | 3400-120 | UPPER HITCH PIN ASS'Y ZYD. |
| 33. | 2 | 2570-453 | KLIK PIN DANHUSER #1533 |

PARTS IDENTIFICATION

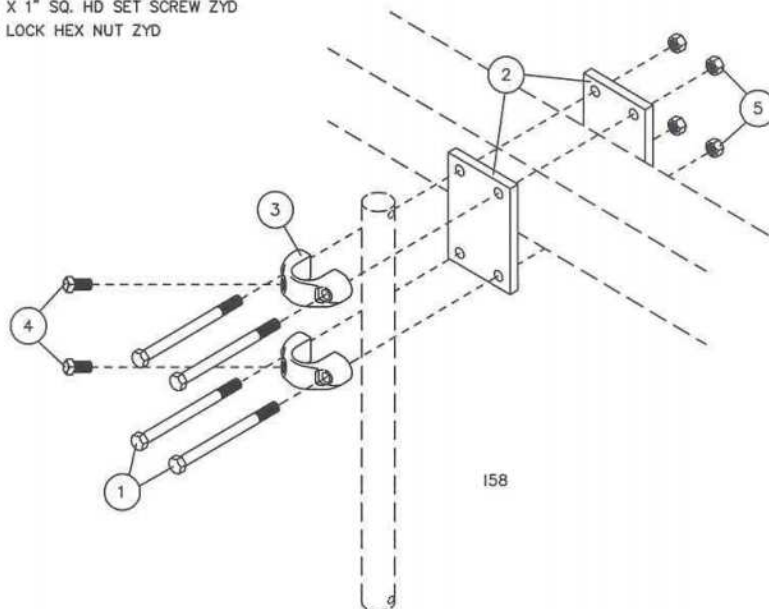
6300-101 TOP LINK ASSEMBLY

| KEY | QTY. | PART NO. | DESCRIPTION |
|-----|------|----------|-----------------------|
| 1 | 1 | 6300-341 | TOP LINK END, RH, ZYD |
| 2 | 1 | 2520-573 | 1 1/4-7 JAM NUT, ZYD |
| 3 | 1 | 6300-342 | TOP LINK TUBE, ZYD |
| 4 | 1 | 6300-343 | TOP LINK END, LH, ZYD |

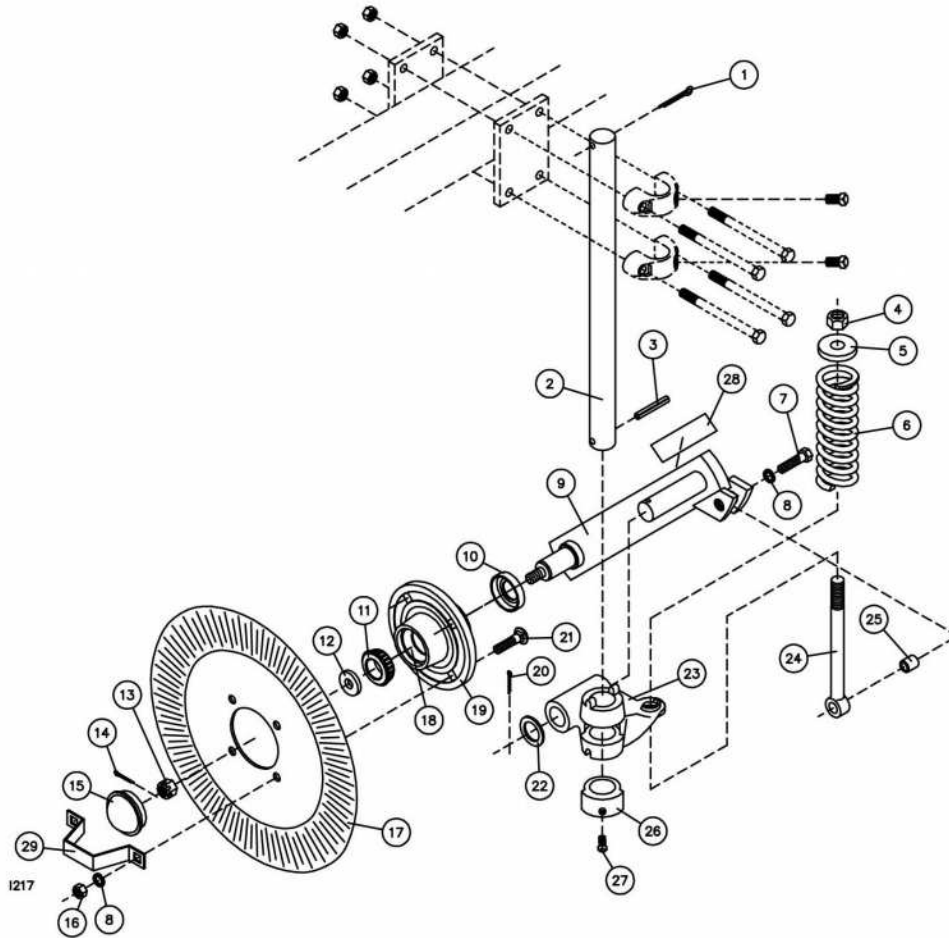


6300-105 CLAMP KIT 5 X 5 BAR

| DET | QTY | PART NO. | DESCRIPTION |
|-----|-----|----------|----------------------------------|
| 1 | 4 | 2502-369 | 1/2-13 X 8" HHCS GR 5 ZYD |
| 2 | 2 | 2975-367 | CLAMP PLATE, 5" SQ. BAR |
| 3 | 2 | 2990-360 | CLAMP CASTING, DRILLED |
| 4 | 2 | 2503-379 | 5/8-11 X 1" SQ. HD SET SCREW ZYD |
| 5 | 4 | 2520-357 | 1/2-13 LOCK HEX NUT ZYD |



PARTS IDENTIFICATION

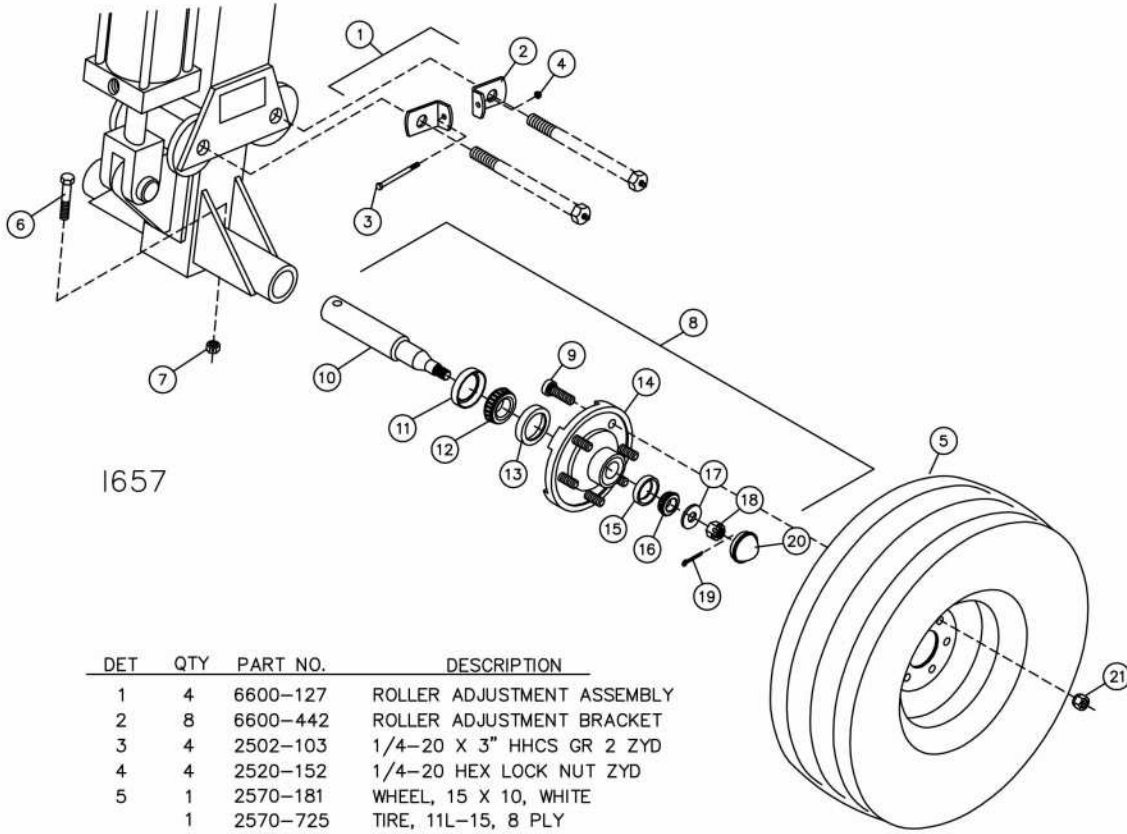


| KEY | QTY | PART NO. | DESCRIPTION |
|-----|-----|----------|------------------------------------|
| 1 | 1 | 2531-161 | 5/16 x 2 1/2 COTTER PIN ZP |
| 2 | 1 | 6300-331 | 19", 3/4" OFFSET SHANK |
| | 1 | 3011-302 | OFFSET COULTER SHANK, 5 1/2" |
| 3 | 1 | 2530-208 | 3/4 x 2 1/2 ROLL PIN ZP |
| 4 | 1 | 2520-516 | 3/4-10 NYLON INSERT LOCK NUT ZP. |
| 5 | 1 | 2910-302 | SPRING BUSHING |
| 6 | 1 | 2910-311 | SPRING |
| 7 | 1 | 2502-317 | 1/2-13 x 1 3/4" HHCS GR. 5 ZP |
| 8 | 5 | 2525-352 | 1/2 MED. LOCKWASHER ZP |
| 9 | 1 | 2990-204 | ARM W.A. (2999) |
| 10 | 1 | 2550-066 | TRIPLE LIP SEAL, NTI #1812-4 |
| 11 | 2 | 2550-027 | CONE EWC #LM67048 |
| 12 | 1 | 2526-449 | 5/8" FLATWASHER, 1/4" ±M.010 THICK |
| 13 | 1 | 2520-469 | 5/8-18 SLOTTED HEX NUT, BLACK |
| 14 | 1 | 2531-102 | 1/8 x 1 1/4" COTTER KEY, BLACK |
| 15 | 1 | 2570-375 | HUB CAP |

| KEY | QTY | PART NO. | DESCRIPTION |
|-----|-----|----------|--|
| 16 | 4 | 2520-352 | 1/2-13 HEX NUT ZP |
| 17 | 1 | 2571-153 | 16" BUBBLE COULTER BLADE |
| | | 2571-167 | .138X17 MULTI HOLED DURA-FLUTE |
| | | 2571-154 | .157 X 17.6 X 1", 8 FLUTE |
| | | 2571-155 | .157 X 17.656" 13 FLUTE BLADE |
| | | 2571-179 | .157 X 17.63" 25 FLUTE BLADE |
| 18 | 2 | 2550-029 | CUP (PRE-ASSEM. W/ NO. 19) |
| 19 | 1 | 2900-105 | HUB PRESSED ASSEMBLY |
| 20 | 1 | 2531-125 | 1/4" x 1 3/4" COTTER PIN ZP. |
| 21 | 4 | 2505-337 | 1/2-13 x 1 1/4" CAR. BOLT GR. 5 ZP |
| 22 | 1 | 2526-561 | 1 17/64 ID x 1 7/8 OD x 14GA. M.B., BLK. |
| 23 | 1 | 2990-311 | COULTER PIVOT CASTING |
| 24 | 1 | 2570-125 | PRESSURE ROD, 9 3/8" EYEBOLT |
| 25 | 1 | 2990-309 | PRESSURE ROD BUSHING |
| 26 | 1 | 2910-301 | LOCKING COLLAR, BLACK |
| 27 | 1 | 2503-379 | 5/8-11 x 1 SQ. HCPSS GR. 5 ZP |
| 28 | 1 | 2565-162 | YETTER DECAL, 1 1/2" X 4 1/2" |
| 29 | 1 | 2987-301 | HUB CAP RETAINER |

REVISED 06/22/18

PARTS IDENTIFICATION

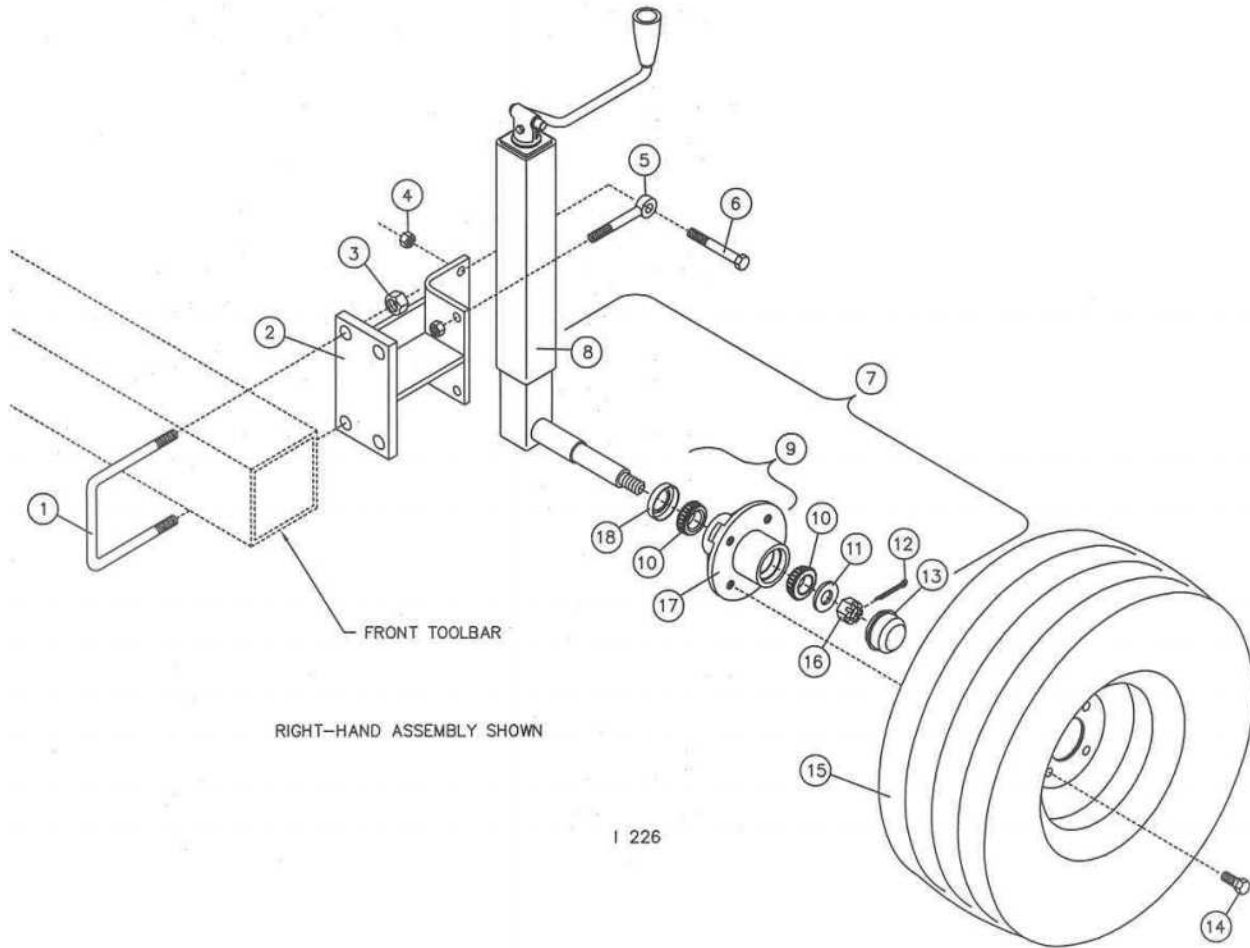


1657

| DET | QTY | PART NO. | DESCRIPTION |
|-----|-----|------------|---------------------------------|
| 1 | 4 | 6600-127 | ROLLER ADJUSTMENT ASSEMBLY |
| 2 | 8 | 6600-442 | ROLLER ADJUSTMENT BRACKET |
| 3 | 4 | 2502-103 | 1/4-20 X 3" HHCS GR 2 ZYD |
| 4 | 4 | 2520-152 | 1/4-20 HEX LOCK NUT ZYD |
| 5 | 1 | 2570-181 | WHEEL, 15 X 10, WHITE |
| | 1 | 2570-725 | TIRE, 11L-15, 8 PLY |
| | 1 | 2570-726 | TUBE, 11L-15 |
| 6 | 4 | 2502-313 | 1/2-13 X 3" HHCS GR 5 ZYD |
| 7 | 4 | 2520-357 | 1/2-13 HEX LOCK NUT ZYD |
| 8 | 4 | 6600-111 | HUB & SPINDLE ASS'Y, 6 BOLT |
| 9 | 6 | 2570-190 | STUD, 1/2-20 |
| 10 | 1 | 6600-336 | SPINDLE, 1-3/4" DRILLED |
| 11 | 1 | 2570-191 | SEAL, CR#17617, WILTON#9062951 |
| 12 | 1 | 2550-028 | CONE, LM 29749 |
| 13 | 1 | 2550-030 | CUP, LM 29710 |
| 14 | 1 | 2570-189 | HUB W/CUPS, LUGS |
| 15 | 1 | 2550-029 | CUP, LM 67010 |
| 16 | 1 | 2550-027 | CONE, LM 67048 |
| 17 | 1 | 2526-501 | 3/4 STD. FLATWASHER,ZP |
| 18 | 1 | 2520-503 | 3/4-16 SLOTTED HEX NUT, BLACK |
| 19 | 1 | 2531-106 | 3/16 X 1-3/4" COTTER PIN, BLACK |
| 20 | 1 | 2570-375-P | HUB CAP |
| 21 | 6 | 2520-360 | 1/2-20 LUG NUT |

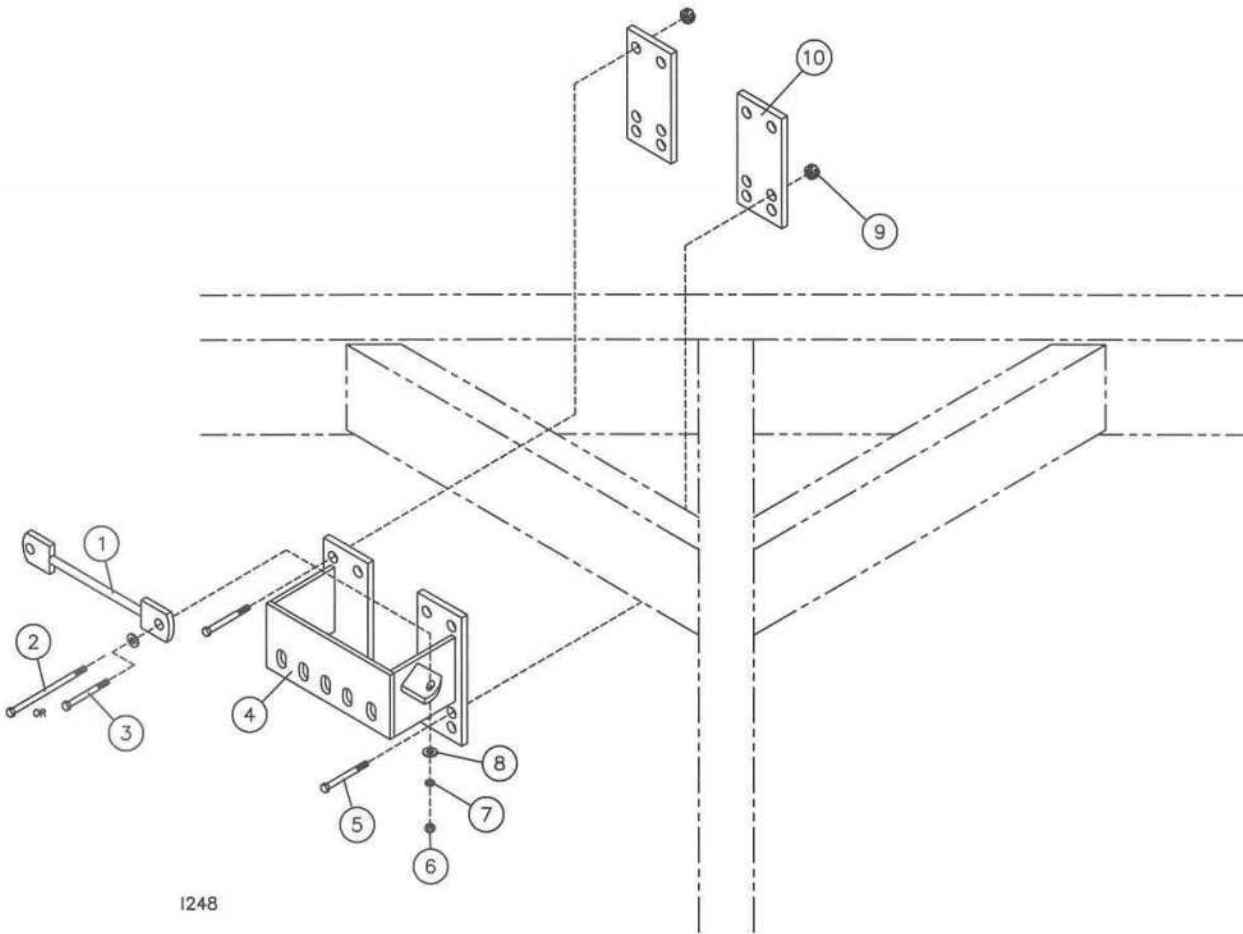
UPDATED 04/28/16

PARTS IDENTIFICATION



| KEY | QTY. | PART NO. | DESCRIPTION |
|-----|------|----------|--|
| 1. | 4 | 2570-643 | 3/4 X 5" X 6 1/2" U-BOLT ZYD. |
| 2. | 2 | 6300-213 | GAUGE WHEEL BRACKET W.A. |
| 3. | 8 | 2520-515 | 3/4-10 LOCK HEX NUT ZYD |
| 4. | 8 | 2520-357 | 1/2-13 LOCK HEX NUT ZYD |
| 5. | 4 | 2570-447 | EYEBOLT, 1/2-13 X 4 ZYD |
| 6. | 4 | 2502-364 | 1/2-13 X 4" HHCS GR 5 ZYD |
| 7. | 2 | 6300-116 | GAUGE WHEEL JACK ASSEMBLY (INCLUDES 1 EA. 8-13, 16 4 EA. OF 14) |
| 8. | 2 | 6300-214 | GAUGE WHEEL JACK W.A. |
| 9. | 2 | 6600-160 | HUB SUB ASSEMBLY (INCLUDES 1 EA. OF 10, 17, 18) |
| 10. | 4 | 2550-053 | 1-1/16" BEARING L44649 |
| 11. | 2 | 2570-197 | WASHER, WILTON #9136081 |
| 12. | 2 | 2531-106 | 3/16 X 1 3/4" COTTER PIN BLACK |
| 13. | 2 | 2570-196 | HUB CAP, WILTON #909001 |
| 14. | 8 | 2512-354 | 1/2-20 WHEEL BOLT WILTON #9135411 |
| 15. | 2 | 6300-118 | 20.5 X 8.0-10.0 TIRE & RIM ASSEMBLY |
| 16. | 2 | 2520-503 | 3/4-16 SLOTTED HEX NUT BLACK |
| 17. | 2 | 6600-161 | HUB WITH CUPS BLACK, WILTON #280301 (CUP WILTON #L44610) |
| 18. | 2 | 2550-054 | SEAL, CHICAGO RAWHIDE #12437 |

PARTS IDENTIFICATION

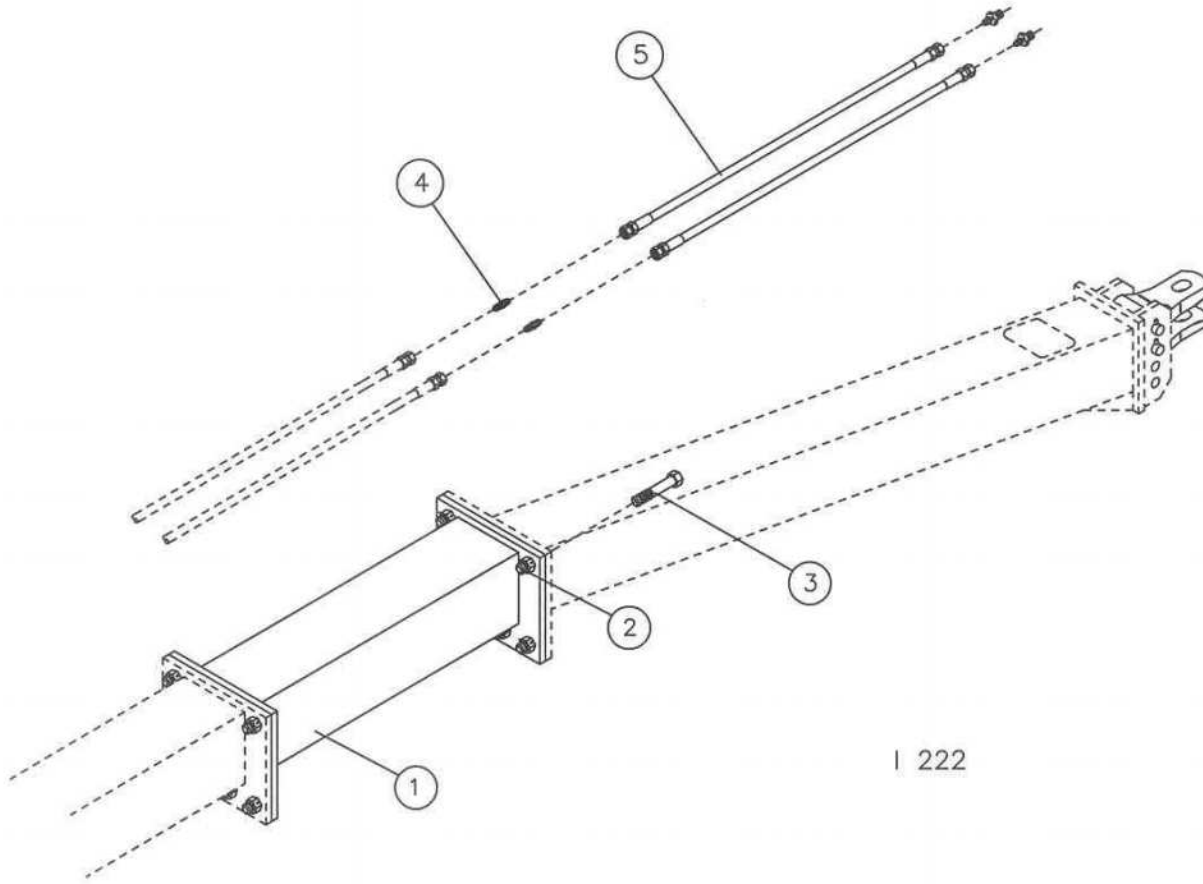


1248

6300-129 - WEIGHT BRACKET KIT

| KEY | QTY. | PART NO. | DESCRIPTION |
|-----|------|----------|-----------------------------|
| 1 | 2 | 6300-223 | WEIGHT HOLD DOWN W.A. |
| 2 | 4 | 2502-377 | 1/2-13 X 11" HHCS GR.5 ZYD |
| 3 | 4 | 2502-373 | 1/2-13 X 6" HHCS GR.5 ZYD |
| 4 | 2 | 6300-222 | WEIGHT BRACKET W.A. |
| 5 | 16 | 2502-327 | 5/8-11 X 5" HHCS GR 5 ZYD |
| 6 | 4 | 2520-352 | 1/2-13 HEX NUT ZYD |
| 7 | 4 | 2525-352 | 1/2 MED. LOCKWASHER ZP. |
| 8 | 8 | 2526-351 | 1/2 STANDARD FLATWASHER ZYD |
| 9 | 16 | 2520-459 | 5/8-11 LOCK HEX NUT ZP. |
| 10 | 4 | 6300-375 | CLAMP PLATE, PAINTED |

PARTS IDENTIFICATION

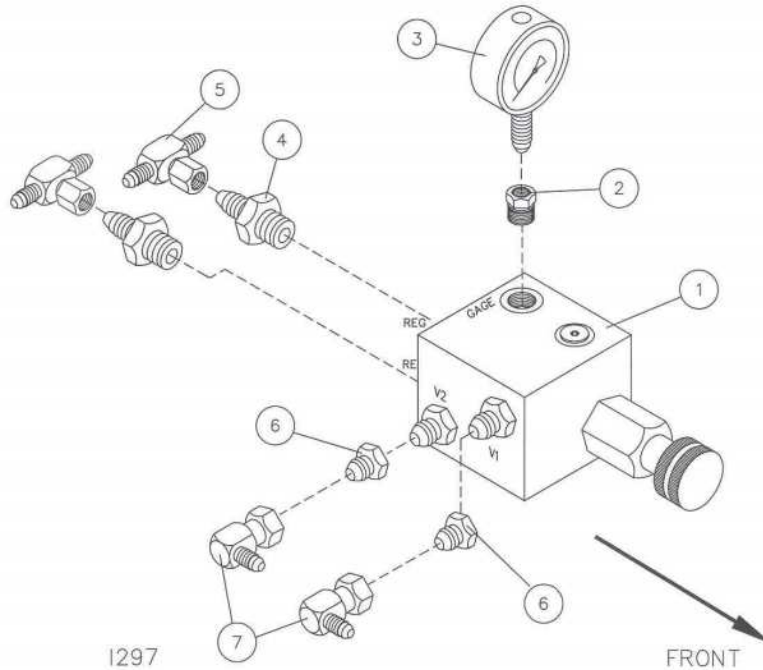


I 222

DRAWBAR EXTENSION

| DET | QTY | PART NO. | DESCRIPTION |
|-----|-----|----------|--------------------------------|
| 1 | 1 | 6300-209 | DOUBLE BAR EXTENSION W.A. |
| 2 | 6 | 2500-562 | 1-8 LOCK HEX NUT ZYD |
| 3 | 6 | 2502-627 | 1-8 X 3" HHCS GR 5 ZYD |
| 4 | 4 | 2515-326 | UNION, -6 TO -6 JIC |
| 5 | 4 | 2515-383 | HOSE, 3/8 X 35 W/-6 JIC F ENDS |

PARTS IDENTIFICATION



| Key | Qty | Part No. | Description |
|-----|-----|----------|--------------------------------|
| 1 | 1 | 2515-824 | PRESSURE REGULATING VALVE |
| 2 | 1 | 2515-828 | ADAPTER |
| 3 | 1 | 2515-334 | DOWNPRESSURE GAUGE |
| 4 | 2 | 2515-327 | 3/4-16 ORB TO -6 JIC |
| 5 | 2 | 2515-331 | TEE -6 F/ -6/ -6 JIC |
| 6 | 2 | 2515-329 | REDUCER, -8 F TO -6 M JIC |
| 7 | 2 | 2515-809 | 90 DEG. ELBOW -6 JIC/ -6 F JIC |

DOWN PRESSURE REGULATING VALVE KIT

The down-pressure regulating valve kit replaces the two “T” fittings, in the middle of the cart, joining together hoses from the toolbar cylinders.

CAUTION: DO NOT ride on machine to adjust down-pressure or you could fall off and be run over resulting in severe injury or death.

NOTE: This down-pressure regulating valve kit is for use with tractors with closed center hydraulics only.

NOTE: MUST have gauge wheels on toolbar.

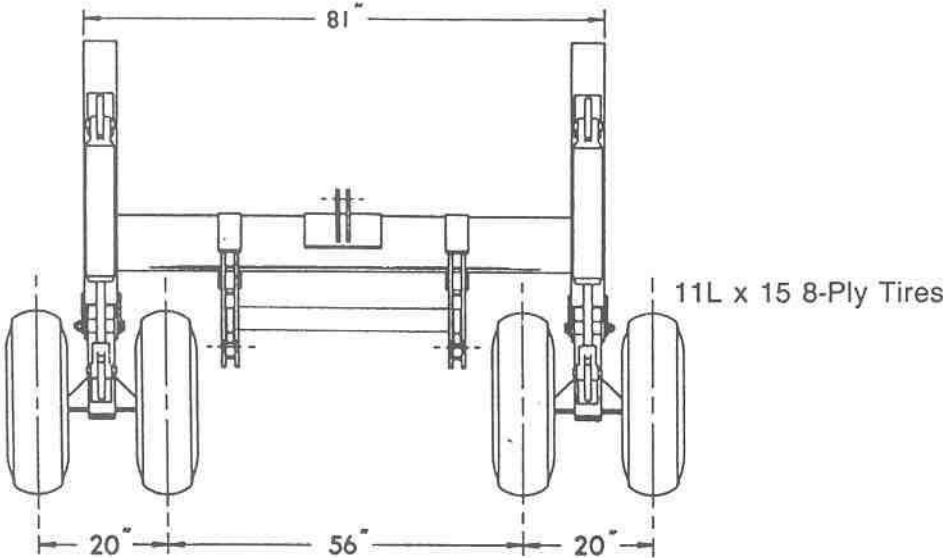
NOTE: This hydraulic system does not compensate for conditions varying from soft to hard as you travel through the field.

When adjusting active hydraulic down-pressure it is important to remember the following:

- Seed depth is largely controlled by coulter depth when using a coulter cart.
- The active hydraulic down-pressure system keeps the toolbar gauge wheels in contact with the soil surface as the ground contour changes.
- The amount of down-pressure required depends upon soil hardness, moisture and residue cover.
- The recommended initial setting is between 400 and 600 psi.

IMPORTANT: Excessive down-pressure can increase wear, increase draft loads, decrease effective seed depth and reduce gauge wheel bearing life. **Use only as much pressure as necessary to achieve consistent operating depth.**

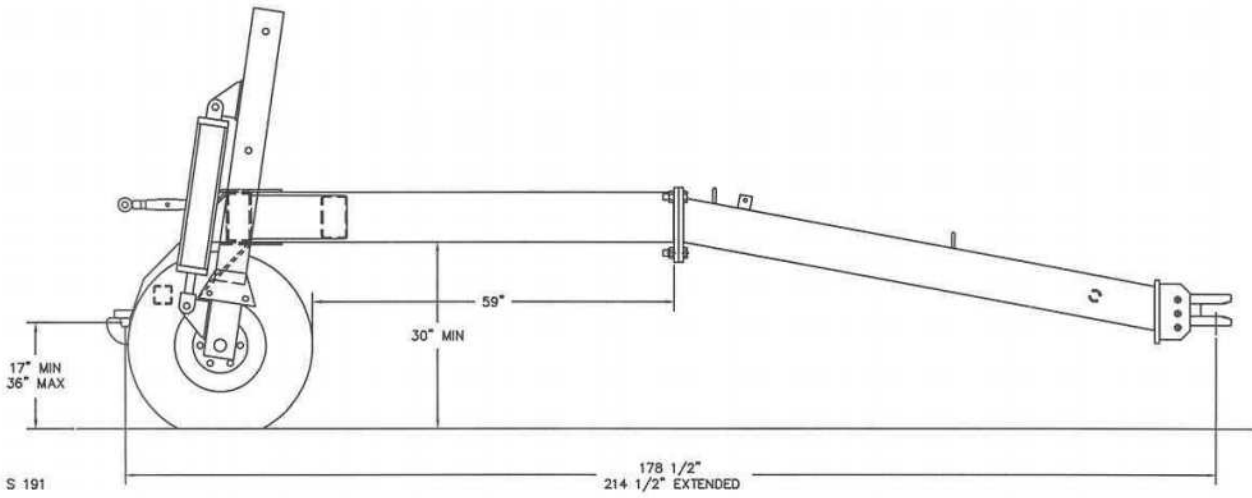
SPECIFICATIONS



REAR VIEW

Hydraulic Cycle Time Rear Lift Cylinders:

Tractor at 1500-RPM Hydraulic
 Outlets set at fast (Rabbit)
 Full Cycle Time is:
 4.5 seconds up
 4.5 seconds down



SIDE VIEW

12,500 LB. Lift Capacity Includes Cart, Coulters and Drill

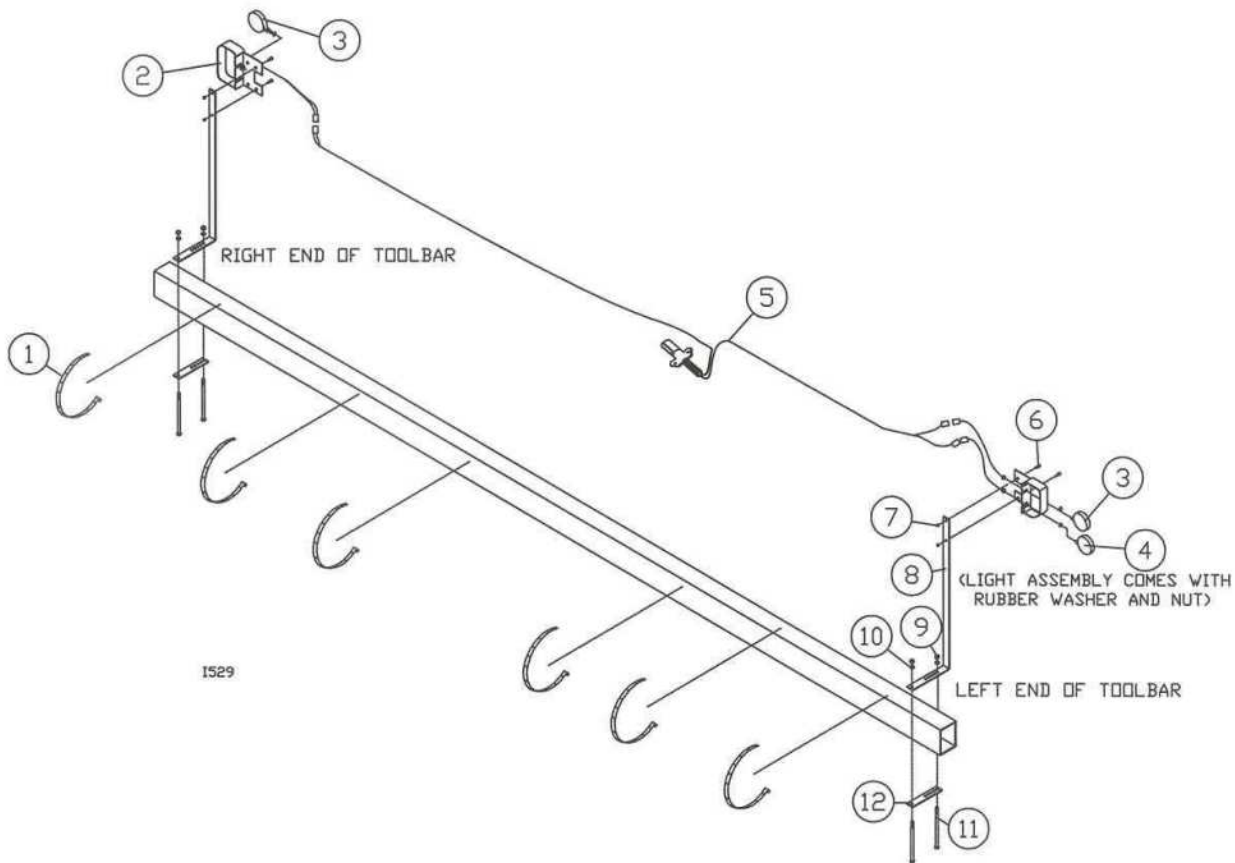
6600-181 LIGHT KIT

ASSEMBLY

1. Mount amber lights, one on each side, in the top slot of the warning light bracket. The red light is mounted on the left side in the bottom slot of the bracket. The rubber washers and nuts are provided in the lights.
2. Attach warning light bracket (2) to mounting strap with two 3/8 x 1" bolts and locknuts.
3. Mount mounting strap (8) to each end of toolbar with a mounting bracket pad (7) on the bottom of the toolbar, two 1/2" bolts, lock washers and nuts.

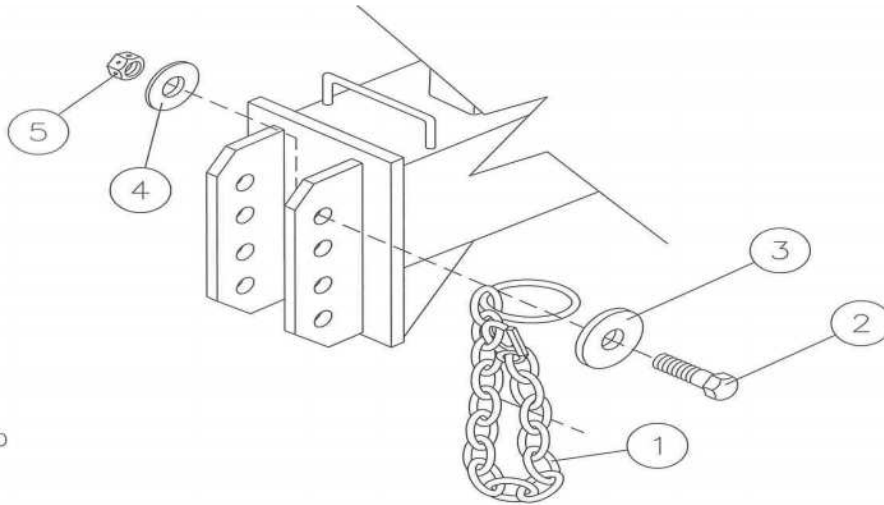
NOTE: Five different lengths of bolts are included, choose the appropriate length of bolt for toolbar size.

4. Attach wiring harness to lights.
5. Use cable ties to strap wiring harness to toolbar at regular intervals.



| KEY | QTY. | PART NO. | DESCRIPTION |
|-----|------|----------|----------------------------|
| 1. | 6 | 2515-405 | CABLE TIE, BLACK |
| 2. | 2 | 6600-263 | WARNING LIGHT BRACKET W.A. |
| 3. | 2 | 6600-522 | LAMP, AMBER W/BULB |
| 4. | 1 | 6600-523 | LAMP, RED W/BULB |
| 5. | 1 | 6600-524 | HARNES, COMMON WIRING |
| 6. | 4 | 2502-237 | 3/8-16 X 1" HHCS GR 5 ZYD |
| 7. | 4 | 2520-255 | 3/8-16 LOCK HEX NUT ZYD |
| 8. | 2 | 6600-496 | MOUNTING STRAP |
| 9. | 4 | 2520-352 | 1/2-13 HEX NUT ZYD |
| 10. | 4 | 2525-352 | 1/2 MED. LOCKWASHER ZYD |
| 11. | 4 | 2502-362 | 1/2-13 X 5" HHCS GR 5 ZYD |
| | 4 | 2502-373 | 1/2-13 X 6" HHCS GR 5 ZYD |
| | 4 | 2502-371 | 1/2-13 X 7" HHCS GR 5 ZYD |
| | 4 | 2502-369 | 1/2-13 X 8" HHCS GR 5 ZYD |
| | 4 | 2502-374 | 1/2-13 X 9" HHCS GR 5 ZYD |
| 12. | 2 | 6600-446 | MOUNTING BRACKET PAD |

6600-180 SAFETY CHAIN KIT



I530

VIEW FOR SAFETY CHAIN ASSEMBLY
ON LEFT SIDE OF HITCH

| KEY | QTY | PART NO. | DESCRIPTION |
|-----|-----|----------|-----------------------------|
| 1 | 1 | 6600-520 | SAFETY CHAIN ASSEMBLY |
| 2 | 1 | 2502-409 | 3/4-10 X 3 HHCS GR 5 ZP |
| 3 | 1 | 6600-521 | WASHER, SAFETY CHAIN |
| 4 | 1 | 2526-501 | 3/4 STANDARD FLATWASHER ZP. |
| 5 | 1 | 2520-515 | 3/4-10 LOCK HEX NUT ZP |

SUMMARY OF ADJUSTMENTS AND SETTINGS

| COMPONENT | SETTING | METHOD |
|--------------------|------------------------------------|---|
| Cart and Drill | Leveling | Adjust top link to make top of seed box parallel to ground in operating position. |
| | Alignment of coulters and openers. | Lower drill to firm ground to leave mark on surface, drive forward 20 feet. Check to see that openers follow middle of coulter mark and adjust if necessary by swiveling offset shank. |
| Drill press wheels | Down pressure | Adjust spring tension to appropriate setting. |
| | Alignment | Adjust until wheel follows opener. |

TROUBLESHOOTING

| Problem | Cause | Solution |
|--|--|---|
| Coulter cart will not lower. | Hydraulic hoses not engaged. | Check to see if hydraulic hoses are fully engaged in tractor hydraulic outlets. Check to see if transport hydraulic locks are removed. |
| Cart frame raises or lowers slowly. | Insufficient hydraulic pressure. | On tractors with hydraulic speed controls, make sure selector is in the fastest setting. Tractor hydraulic pressure must be a minimum of 2250 P.S.I. |
| Erratic or uneven lift. | Air in hydraulic hose | Bleed coulter cart hydraulic system. |
| Coulter cart will not raise. | Insufficient hydraulic pressure. | Hoses are not fully engaged in tractor hydraulic outlets. |
| Attached drill tilts forward in field operation. | Upper hitch link adjusted too short. | Lengthen upper hitch link until drill is level. |
| Attached drill tilts back in field operation. | Upper hitch link adjusted too long. | Shorten upper hitch link until drill is level. |
| Transport wheel wobbles in transport or field operation. | Transport rollers not properly adjusted. | Tighten adjusting bolts on transport frame guide rollers. |
| Coulter toolbar not level from side to side. | Gauge wheel jacks adjusted incorrectly. | Adjust both jacks to the same setting. |
| | Gauge wheel tires filled to different pressures. | Fill both tires to 35 P.S.I. |
| Coulters will not penetrate. | Insufficient coulter down pressure. | Extend toolbar cylinders to increase coulter depth. Check and tighten coulter down-pressure springs if necessary. Adjust coulter shank top to hang on cotter pin. |
| | Tractor drawbar too high. | Adjust clevis. |
| | Lack of weight | Fill cart tires and drill tires with fluid for extra ballast. |
| Coulters penetrate too deep. | Excessive coulter down pressure. | Retract toolbar cylinders to decrease coulter depth. Reduce coulter spring tension. |
| Drill openers bounce at field speeds. | Spring down pressure | Readjust, tighten springs. Refer to drill operator's manual for recommendations. |



A Tradition of Solutions since 1930

Yetter Farm Equipment Co

PO BOX 358 109 S. McDonough

Colchester, IL 62326-0358

Phone: 309-776-4111

Toll Free: 800-447-5777

Email: info@yetterco.com

For updated models and manuals visit the Yetter website:

www.yetterco.com

© Yetter Farm Equipment Co. All Rights Reserved

2565-330_REV_C 07/18