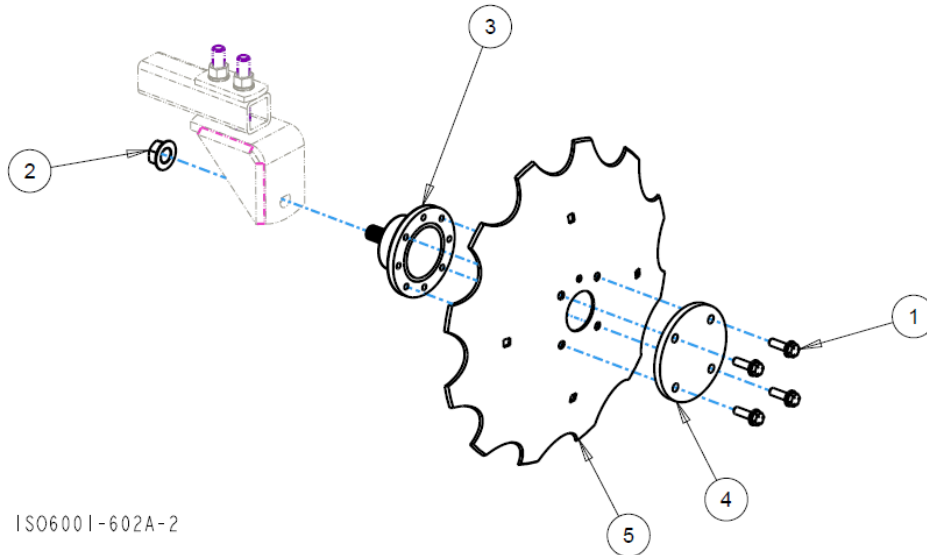




6001-602A NOTCHED MARKER DISCS/HUBS BOX
 2565-462_REV_D • 02/2023



ISO6001-602A-2

ITEM	PART NO.	DESCRIPTION	QTY
1	2502-221	5/16-18 X 1 HHFS GRADE 5	8
2	2520-465	5/8-11 FLANGE NUT GRADE 8	2
3	2965-500	HUB ASSEMBLY 1.406 SPINDLE	2
4	2965-503	CAP	2
5	6001-495	NOTCHED MARKER DISC	2

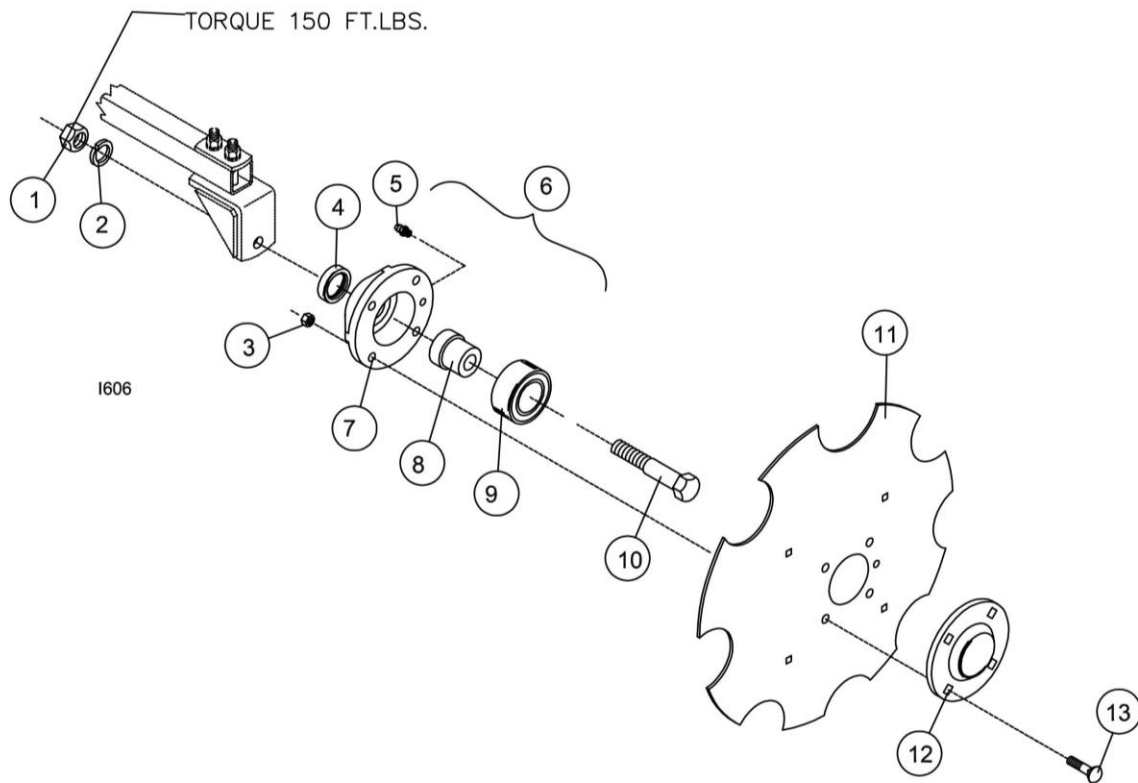
MANUFACTURED 06/2021 TO PRESENT

YETTER MANUFACTURING CO.
 FOUNDED 1930

Colchester, IL 62326-0358
 Toll free: 800/447-5777
 309/776-3222 (Fax)
 Website: www.yetterco.com
 Email: info@yetterco.com

1. Assemble marker disc to the bearing and then install to marker disc bracket and secure using 5/8" nut. Torque 180 ft.lbs.





6001-602 NOTCHED MARKER DISCS/HUBS BOX

KEY	QTY	PART NO.	DESCRIPTION
1	2	2520-452	5/8-11 HEX NUT ZP
2	2	2525-451	5/8 MED. LOCKWASHER ZP
3	8	2520-206	5/16-18 FLANGE LOCK NUT
4	2	2550-069	SEAL, TRIPLE LIP, NTI# 1812-5
5	2	2533-110	1/4-28 STRAIGHT SELF-TAP GREASE ZERK
6	2	2965-128	HUB & BEARING ASSY., 4 BOLT (INCLUDES NO. 4, 5, 7, 8 & 9)
7	2	2965-351	HUB CASTING, MACHINED, 4 BOLT (INCLUDES NO. 5)
8	2	2570-715	BEARING INSERT, TRASHMASTER
9	2	2570-594	BEARING, 2 ROW, NTN #DF0654LU
10	2	2570-741	5/8-11 X 3 1/2" 'D' BOLT GR
11	2	6001-495	MARKER DISC, NOTCH, PUNCH, 4 BOLT
12	2	2965-352-DISC	HUB CAP CASTING, 4 BOLT, BLACK
13	8	2505-207	5/16-18 X 1 1/4" CAR. BOLT GR. 5 ZP

REVISED 10/20/16

MANUFACTURED 06/1991 TO 05/2021