



**6000-070 3" X 16" TRI-SPOKED GAUGE WHEEL**  
**6000-071 4.5" X 16" TRI-SPOKED GAUGE WHEEL**

INSTALLATION INSTRUCTION  
PART IDENTIFICATION  
2565-984 REV A 06/2023



**YETTER MANUFACTURING CO.**

Founded 1930

Colchester, IL 62326

Toll free: (800)447-5777.

Fax: (309)776-3222

Website: [yetterco.com](http://yetterco.com)

E-mail: [info@yetterco.com](mailto:info@yetterco.com)

**YETTER**

## WARRANTY

Yetter Manufacturing warrants all products manufactured and sold by it against defects in material. This warranty being expressly limited to replacement at the factory of such parts or products as shall appear to be defective after inspection. This warranty does not obligate the Company to bear cost of labor in replacement of parts. It is the policy of the Company to make improvements without incurring obligations to add them to any unit already sold. No warranty is made or authorized to be made, other than herein set forth. This warranty is in effect for one year after purchase.

DEALER: \_\_\_\_\_

**Yetter Manufacturing warrants its own products only and cannot be responsible for damages to equipment on which mounted.**

### **Safety Is No Accident**



**The following safety instructions, combined with common sense, will save your equipment from needless damage and the operator from unnecessary exposure to personal hazard. Pay special attention to the caution notes in the text. Review this manual at least once a year with all operators.**

1. Read and understand the operator's manual before operating this machine. Failure to do so is considered a misuse of the equipment.
2. Make sure equipment is secure before operating.
3. Always keep children away from equipment when operating.
4. Make sure everyone that is not directly involved with the operation is out of the work area before beginning operation.
5. Make sure all safety devices, shields, and guards are in place and functional before beginning operation
6. Shut off all power to adjust, service, or clean.
7. Keep hands, feet, and clothing away from moving parts. It is a good idea to remove all jewelry before operating.
8. Inspect the machine periodically during operation for signs of excessive wear, loose fasteners, and unusual noises.

# INSTALLATION INSTRUCTIONS

6000-070 3" X 16" SPOKE GAUGE WHEEL

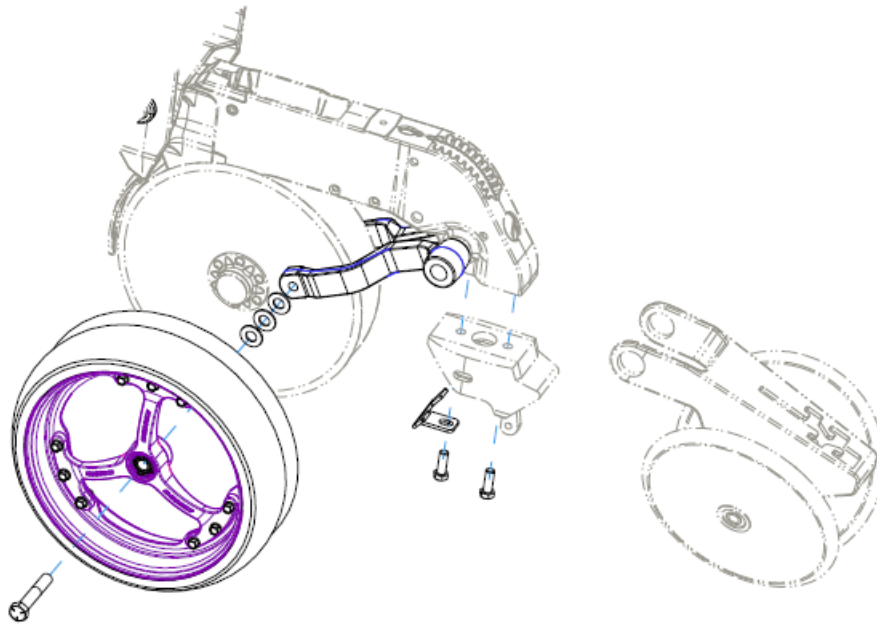
6000-071 4.5" X 16" SPOKE GAUGE WHEEL

2570-790 GAUGE WHEEL ARM STOP

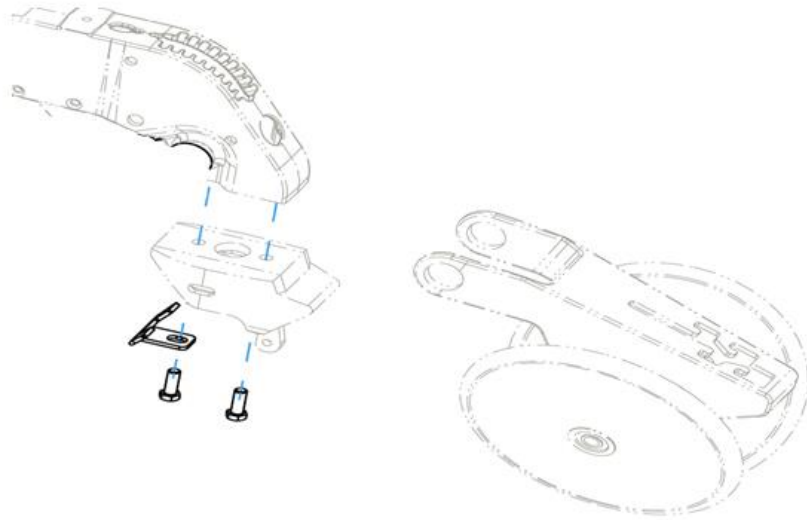
## JOHN DEERE 5 SERIES ROW UNIT

STEP 1. REMOVE THE GAUGE WHEEL AND ARM FROM THE ROW UNIT.

STEP 2. REMOVE THE FRONT M12 BOLT FROM THE CLOSING WHEEL MOUNT THAT IS THREADED INTO THE BOTTOM OF THE ROW UNIT.



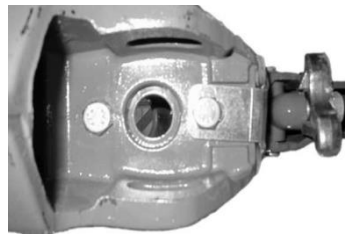
# INSTALLATION INSTRUCTIONS



STEP 3. INSERT THE 12MM BOLT THROUGH THE 2570-790 WHEEL STOP MOUNTING HOLE AND THREAD IT BY HAND BACK INTO THE ROW UNIT.



STEP 4. NOTE: THE 2570-790 WHEEL STOP CURVATURE FACES FORWARD TO THE OPENING DISCS AND THE BENDS WRAP AROUND THE CLOSING WHEEL MOUNT.



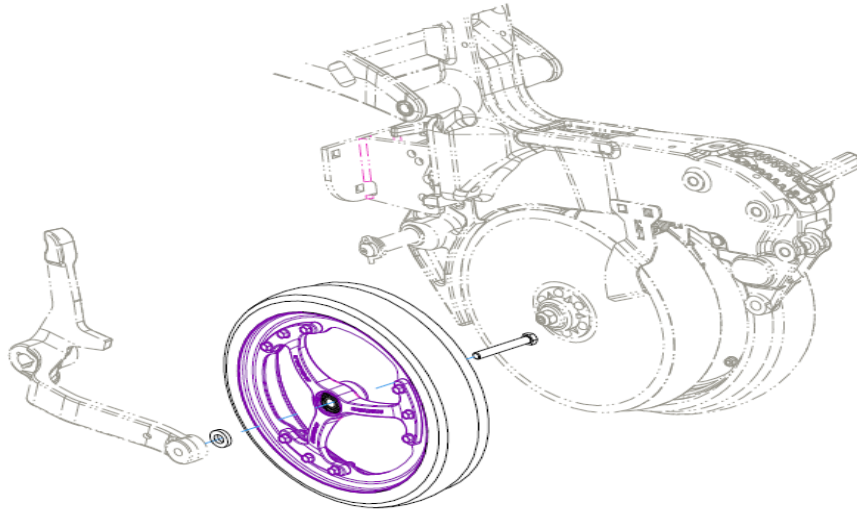
STEP 5. SECURELY TIGHTEN 12 MM BOLT.

STEP 6. INSTALL GAUGE WHEEL AND ARM ASSEMBLY BACK ONTO THE ROW UNIT AND ADJUST IT TO THE OPENING DISCS AS RECOMMENDED IN THE OEM PLANTER OPERATORS MANUAL, SECURELY TIGHTEN THE HARDWARE.

# INSTALLATION INSTRUCTIONS

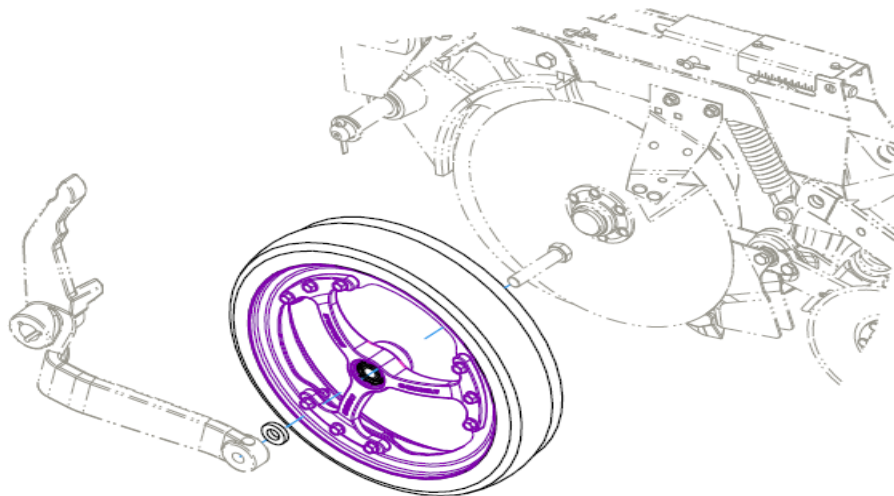
## CASEIH 2000 SERIES ROW UNIT

INSTALL THE SPOKE GAUGE WHEEL USING (1) 2526-455 WASHER AND (1) 2502-812 M16 X 90 HEX HEAD CAPSCREW.



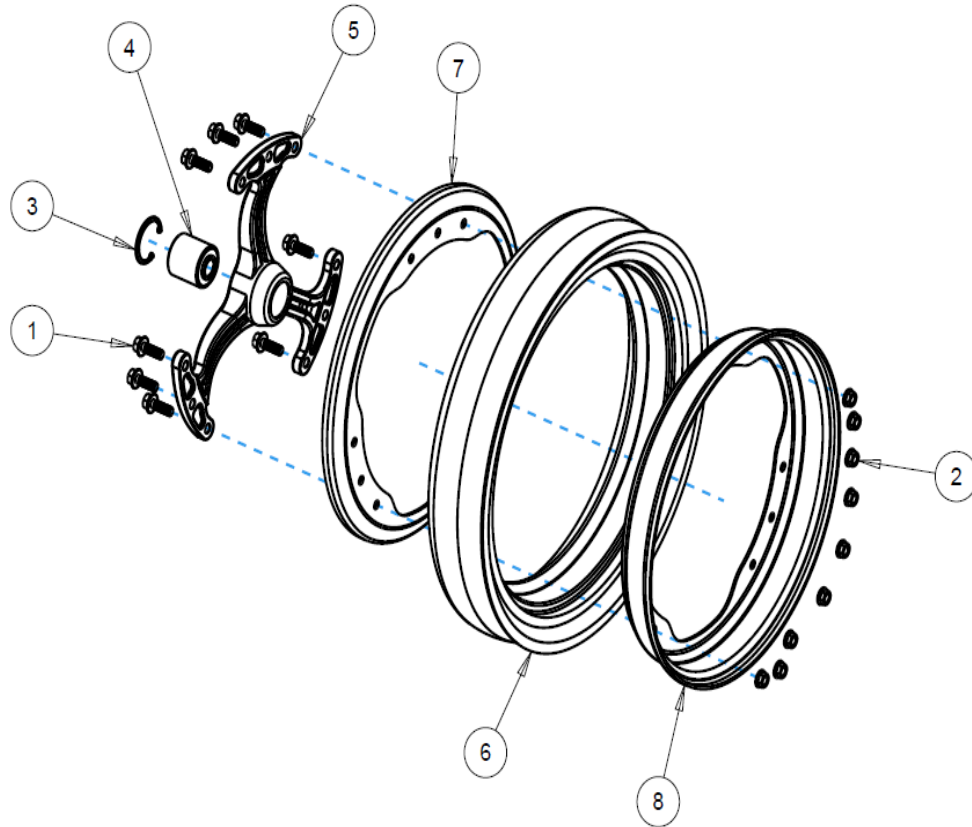
## CASEIH 1200 SERIES ROW UNIT

INSTALL THE SPOKE GAUGE WHEEL USING (1) 2526-455 WASHER.



## PARTS IDENTIFICATION

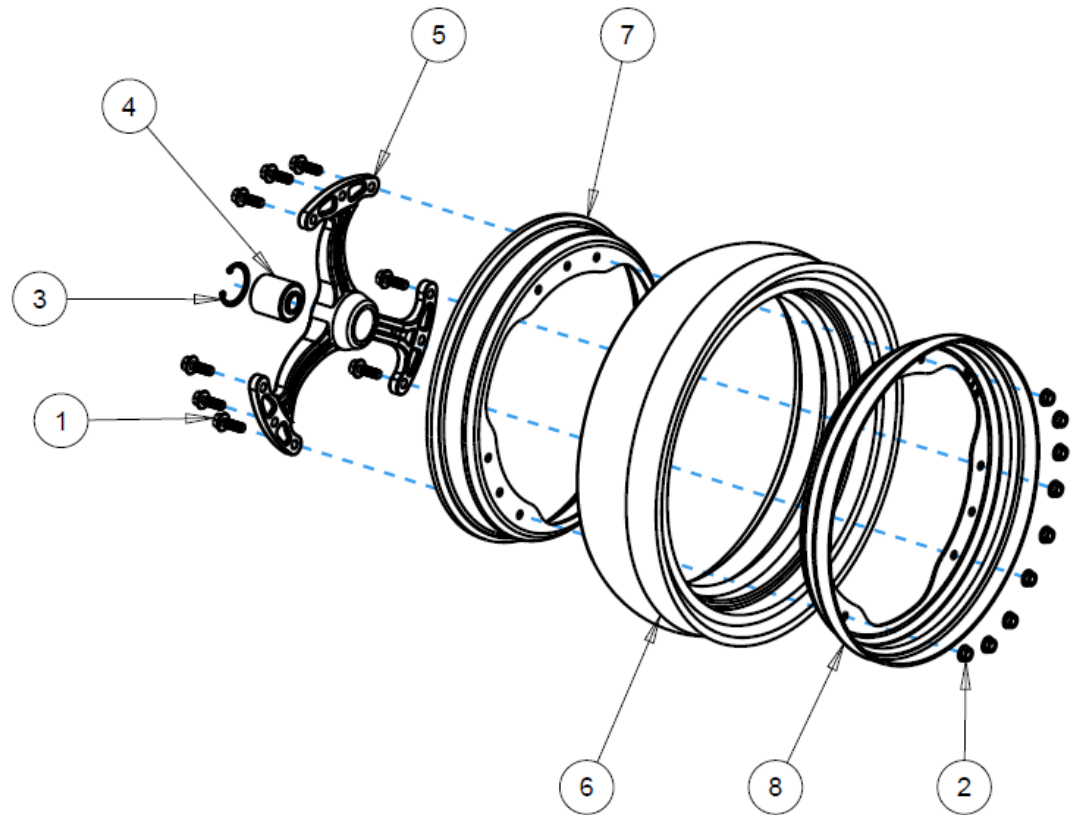
### 6000-070 3" X 16" SPOKE GAUGE WHEEL



ITEM	PART #	DESCRIPTION	QTY
1	2502-229	HEX FLANGE BOLT M8 1.25X25MM	9
2	2520-208	HEX FLANGE NUT M8 1.25	9
3	2550-527	1.734" SNAP RING	1
4	2570-069	40MM BEARING (5203KYY2)	1
5	6000-600	TRI-SPOKE HUB 3-BOLT	1
6	6000-601	3" X 16" TIRE	1
7	6000-603	3" X 16" OUTER WHEEL HALF	1
8	6000-604	WHEEL HALF	1

## PARTS IDENTIFICATION

### 6000-071 4.5" X 16" SPOKE GUAGE WHEEL



ITEM	PART #	DESCRIPTION	QTY
1	2502-229	HEX FLANGE BOLT M8 1.25X25MM	9
2	2520-208	HEX FLANGE NUT M8 1.25	9
3	2550-527	1.734" SNAP RING	1
4	2570-069	40MM BEARING (5203KYY2)	1
5	6000-600	TRI-SPOKE HUB 3-BOLT	1
6	6000-602	4.5" X 16" TIRE	1
7	6000-604	WHEEL HALF	1
8	6000-605	4.5" X 16" INNER WHEEL HALF	1



A Tradition of Solutions since 1930

Yetter Farm Equipment Co

PO BOX 358 109 S. McDonough

Colchester, IL 62326-0358

Phone: 309-776-4111

Toll Free: 800-447-5777

Email: [info@yetterco.com](mailto:info@yetterco.com)

For updated models and manuals visit the Yetter website:

[www.yetterco.com](http://www.yetterco.com)

© Yetter Farm Equipment Co. All Rights Reserved

2565-984 REV A – 06/2023