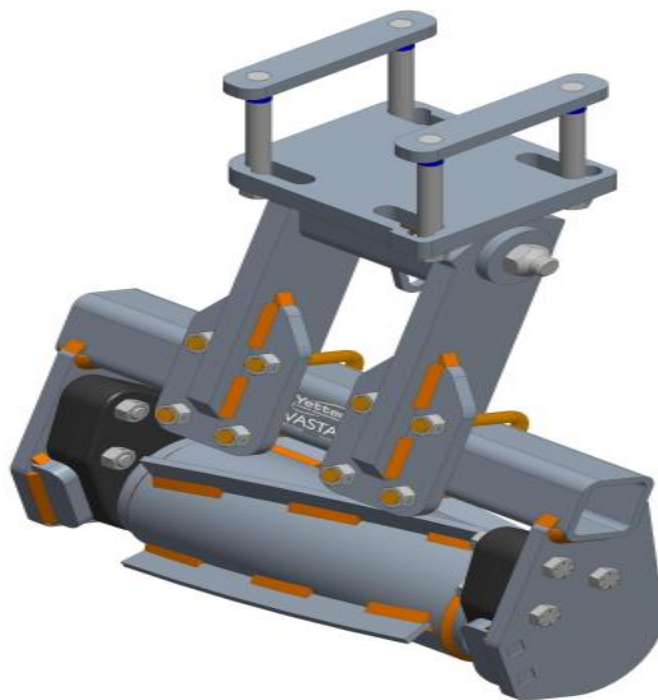


# Yetter

## FARM EQUIPMENT

### 5000-090A SINGLE ROW SERIES STALK DEVASTATOR

OWNER'S MANUAL  
PART IDENTIFICATION  
2565-972-Rev-A • 02/2024



**YETTER MANUFACTURING CO.**

Founded 1930

Colchester, IL 62326

Toll free: (800)447-5777.

Fax: (309)776-3222

Website: [yetterco.com](http://yetterco.com)

E-mail: [info@yetterco.com](mailto:info@yetterco.com)

# YETTER

# TABLE OF CONTENTS

FOREWARD.....	2
WARRANTY.....	2
SAFETY INFORMATION.....	3 – 5
TORQUE & TOOLS NEEDED.....	6
BILL OF MATERIALS / PICTORIAL INDEX.....	7
ASSEMBLY INSTRUCTIONS.....	7 – 8
LOCK UP / OPERATION.....	9
PART IDENTIFICATION.....	10

## FOREWORD

You've just joined an exclusive but rapidly growing club.

For our part, we want to welcome you to the group and thank you for buying a Yetter product.

We hope your new Yetter products will help you achieve both goals-increase your productivity and increase your efficiency so that you may generate more profit.

This operator's manual has been designed into 4 major sections: Foreword, Safety Precautions, Installation Instructions and Parts Breakdown.



This **SAFETY ALERT SYMBOL** indicates important safety messages in the manual. When you see this symbol, be alert to the possibility of **PERSONAL INJURY &** carefully read the message that follows.

The word **NOTE** is used to convey information that is out of context with the manual text. It contains special information such as specifications, techniques and reference information of a supplementary nature.

The word **IMPORTANT** is used in the text when immediate damage will occur to the machine due to improper technique or operation.

It is the responsibility of the user to read the operator's manual and comply with the safe and correct operating procedure and to lubricate and maintain the product according to the maintenance schedule in the operator's manual.

The user is responsible for inspecting his machine and for having parts repaired or replaced when continued use of the product would cause damage or excessive wear to the other parts.

It is the user's responsibility to deliver his machine to the Yetter dealer who sold him the product for service or replacement of defective parts, which are covered by the warranty policy.

If you are unable to understand or follow the instructions provided in this publication, consult your local Yetter dealer or contact:

### **YETTER MANUFACTURING CO.**

309/776-4111

800/447-5777

309/776-3222 (FAX)

Website: [www.yetterco.com](http://www.yetterco.com)

E-mail: [info@yetterco.com](mailto:info@yetterco.com)

## WARRANTY

Yetter Manufacturing warrants all products manufactured and sold by it against defects in material. This warranty being expressly limited to replacement at the factory of such parts or products as shall appear to be defective after inspection. This warranty does not obligate the Company to bear cost of labor in replacement of parts. It is the policy of the Company to make improvements without incurring obligations to add them to any unit already sold. No warranty is made or authorized to be made, other than herein set forth. This warranty is in effect for one year after purchase.

DEALER: \_\_\_\_\_

**Yetter Manufacturing warrants its own products only and cannot be responsible for damages to equipment on which mounted.**

# **BE ALERT!**

## **YOUR SAFETY IS INVOLVED**



**WATCH FOR THIS SYMBOL. IT POINTS OUT IMPORTANT SAFETY PRECAUTIONS. IT MEANS “ATTENTION – BE ALERT!”**

It is your responsibility as an owner, operator, or supervision to know and instruct everyone using this machine at the time of initial assignment and at least annually thereafter, of the proper operation, precautions, and work hazards which exist in the operation of the machine in accordance with OSHA regulations.

### **Safety Is No Accident**

**The following safety instructions, combined with common sense, will save your equipment from needless damage and the operator from unnecessary exposure to personal hazard. Pay special attention to the caution notes in the text. Review this manual at least once a year with all operators.**



1. Read and understand the operator's manual before operating this machine. Failure to do so is considered a misuse of the equipment.
2. Make sure equipment is secure before operating.
3. Always keep children away from equipment when operating.
4. Make sure everyone that is not directly involved with the operation is out of the work area before beginning operation.
5. Make sure all safety devices, shields, and guards are in place and functional before beginning operation
6. Shut off all power to adjust, service, or clean.
7. Keep hands, feet, and clothing away from moving parts. It is a good idea to remove all jewelry before operating.
8. Inspect the machine periodically during operation for signs of excessive wear, loose fasteners, and unusual noises.

**PLEASE READ, VERY IMPORTANT**



**SECURE CORN HEADER AGAINST UNWANTED LOWERING BY APPLYING THE LOCKING MECHANISM ON THE HYDRAULIC CYLINDERS!**



1. Attach head to combine, lock head to combine
2. Raise the head off the ground and engage safety stop on the feeder house cylinder.
3. Turn off combine engine and remove the key

**FOLLOW ALL INSTRUCTIONS GIVEN BY THE COMBINE MANUFACTURER**

# **PLEASE READ, VERY IMPORTANT**



**Subject to the size and weight of the corn header, one or two additional hydraulic cylinders may be required.**

**The combine manufacturer generally keeps corresponding kits readily available for dealers.**

**Subject to the design of the corn header and the carrying capacity of different combines, the steering axle may require the fitting of additional weights and the rear tires be filled with ballast.**

**FOLLOW ALL INSTRUCTIONS GIVEN BY THE COMBINE  
MANUFACTURER**

# BOLT TORQUE

**Important:** Over-tightening hardware can cause just as much damage as under-tightening. Tightening hardware beyond the recommended range can reduce its shock load capacity.

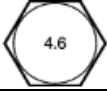
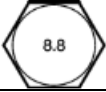

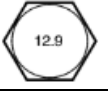
All hardware on the 5000 Devastator is either Grade 5 or Grade 8, unless otherwise noted. Grade 5 cap screws are marked with three radial lines on the head. Grade 8 cap screws are marked with six radial lines on the head. If hardware must be replaced, be sure to replace it with hardware of equal size, strength and thread type. Refer to the torque values chart when tightening hardware.

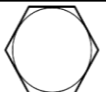



The chart below is a guide for proper torque. Use it unless a specified torque is called out elsewhere in the manual.

Torque is the force applied to the end of the handle or cheater bar, times the length of the handle or bar.

## Use a torque wrench wherever possible

The following table shows torque in ft.-lbs. for coarse thread hardware.

Bolt Diameter				
	4.6	8.8	10.9	12.9
M4	0.9	2.3	3.2	3.8
M5	1.8	4.5	6.5	7.6
M6	3.0	7.7	11.1	13.0
M7	5.0	13.0	18.5	21.7
M8	7.3	18.8	26.9	31.4
M10	14.4	37.2	53.2	62.2
M12	25.2	64.9	92.8	108.5
M14	40.2	103.7	148.4	173.4
M16	62	161	230	269
M18	86	222	318	372
M20	122	314	449	525
M22	166	428	613	716
M24	211	543	777	908
M27	309	796	1139	1331

Bolt Diameter and Threads per Inch				
	Grade 2	Grade 5	A-325	Grade 8
1/4	6	10		14
5/16	12	20		30
3/8 - 16	25	35		50
7/16 - 14	35	55		80
1/2 - 13	55	85		125
9/16 - 12	75	125		175
5/8 - 11	105	170		235
3/4 - 10	185	305		425
7/8 - 9	170	445		690
1-8	260	670		1030
1 1/8 - 7	365	900		1460
1 1/4 - 7	515	1275		2060
1 3/8 - 6	675	1675		2700
1 1/2 - 6	900	2150		3500
1 3/4 - 5	1410	3500		5600

## INSTALLATION TOOLS REQUIRED:

- Electric or Pneumatic Impact,
- Torque wrench, 24MM socket,
- 1 1/8" Socket & wrench,
- 3/4 Socket



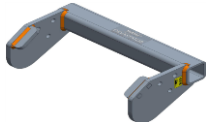


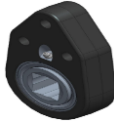











# BILL OF MATERIALS PER KIT

**5000-090A** – 1) 5000-147 Locking Torsion Pivot Assembly, 1) 5000-160A Roller Bearing Bolt Bag, 1) 5000-176 Single Row Torsion Mount Bolt Bag, 1) 5000-2001 1 Row Roller, 1) 5000-2002A 1 Row Roller Mount, 2) 5000-292 Torsion Arm

**Before beginning your installation, go through your kit to verify that you have the correct parts and quantities. Use the Pictorial Index below & Part ID section at the end of the manual as a visual of what the parts look like.**

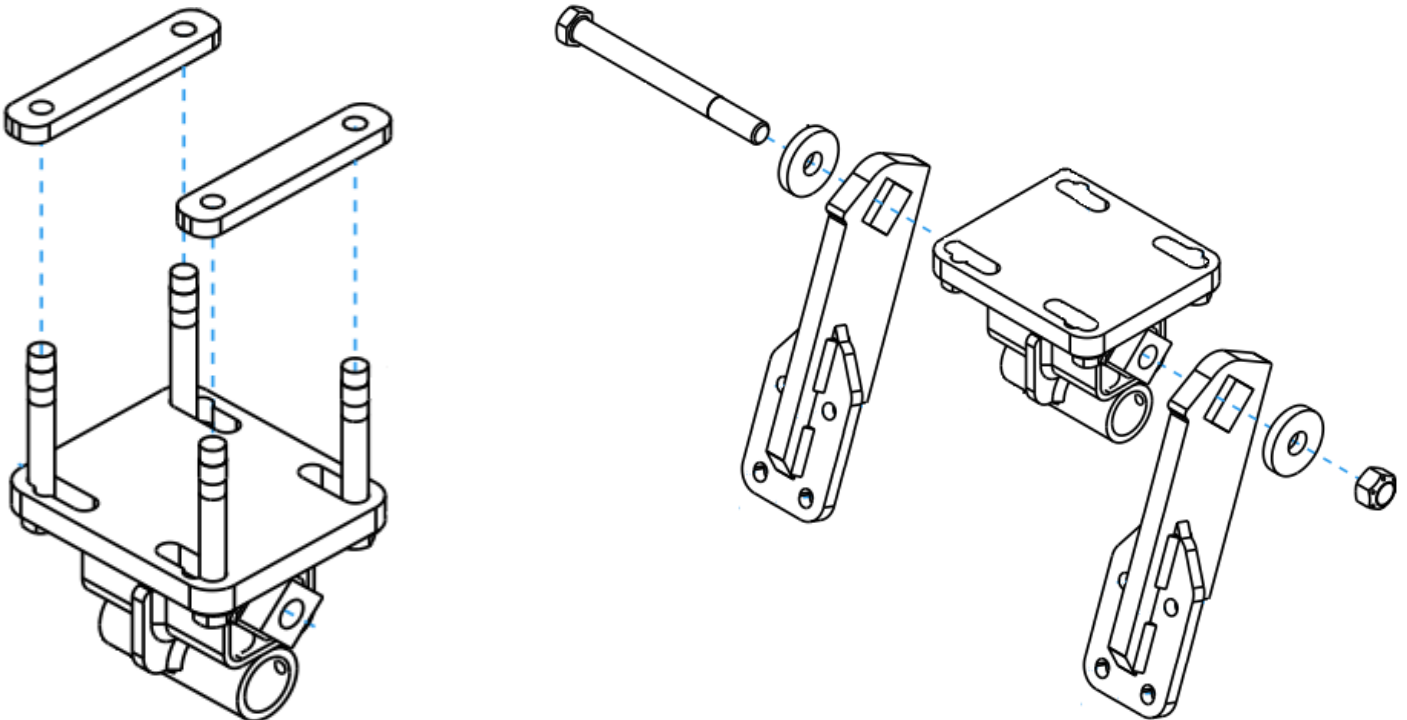
## PICTORIAL INDEX OF PARTS

 5000-147 Torsion Pivot	 5000-2001 Singler Row Roller	 5000-2002A 1 Row Roller Mount	 5000-292 Torsion Arm	 5000-322 Shim Washer	 5000-355 Bearing	 5000-420 4" Clamp Strap Tapped	 5000-469 Security Cap
 2502-353 ½"-13 X 2 ½" Bolt, GR 8 ZP	 2502-430 ¾" – 10 X 8 Bolt, GR 8	 2502-805 M16 X 2 X 120 Hex Flng, Thrd Lock	 2502-806 M16 X 2 X 110 Hex Flng, Thrd Lock	 2520-357 ½" – 13 Lock Nut, GR A	 2520-604 ¾" – 10 Hex Top Lock Nut	 2570-568 ½" X 2 ½" X 3 ½" U-Bolt	

## ASSEMBLY INSTRUCTIONS

**Step 1:** Attach 5000-147 torsion pivot to frame using 2) 5000-420 clamp straps & 4) 2502-805 M16 bolts or 4) 2502-806 bolts.

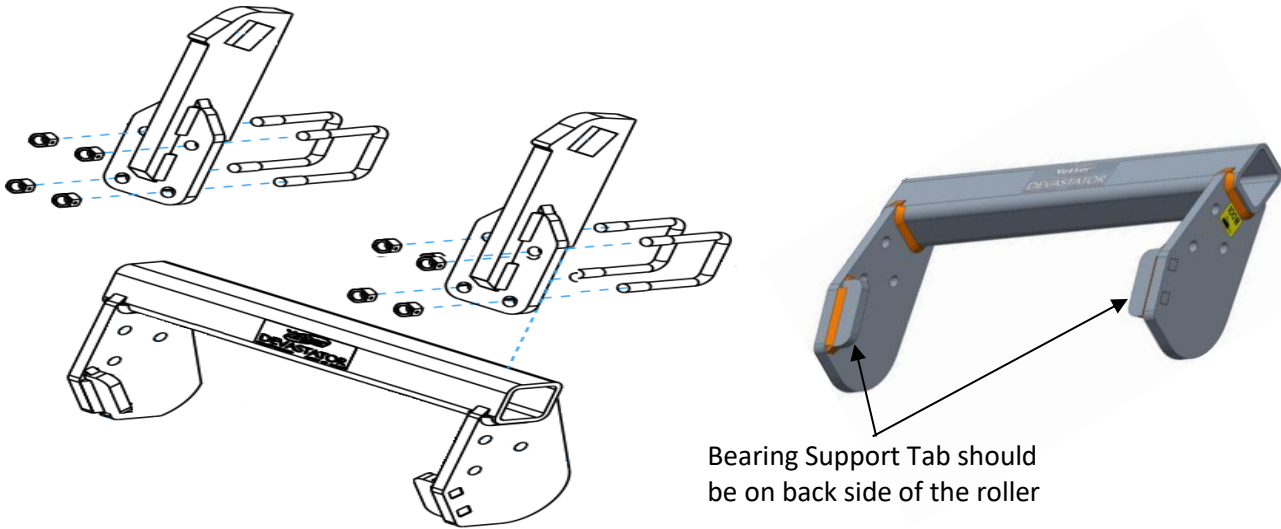
**Step 2:** Attach the 5000-292 torsion arm to the torsion pivot assemblies. Place 1) 5000-469 security cap over the 2502-430 ¾ X 8 bolt, slide bolt with cap through 1) 5000-292 torsion arm, then the torsion pivot, slide another 5000-292 torsion arm over bolt followed by another security cap, and then fasten the 2520-604 ¾ top lock nut.





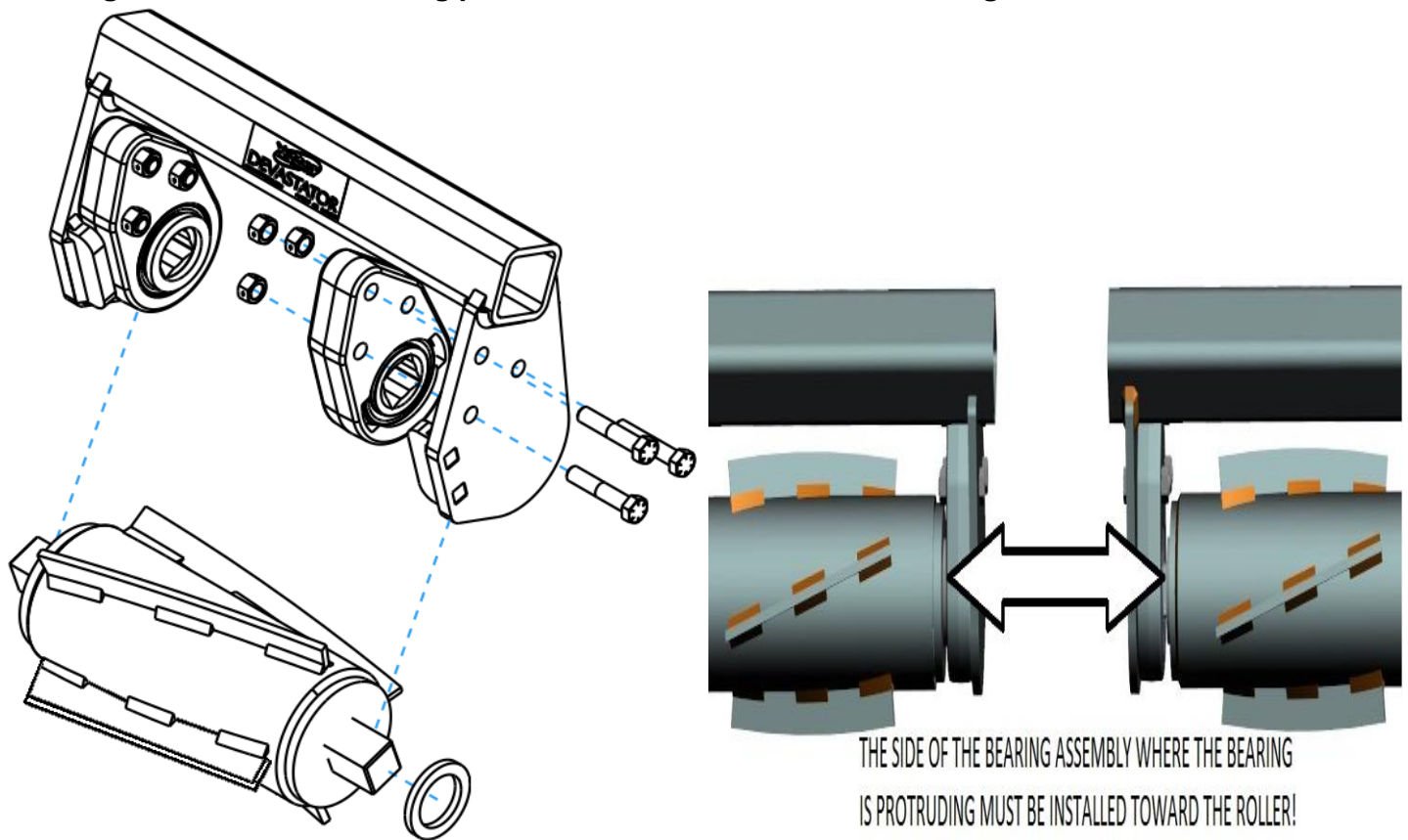
# ASSEMBLY INSTRUCTIONS

**Step 3:** Install the 5000-2002 roller mount to the torsion arms using 2570-568  $\frac{1}{2}$  X  $2\frac{1}{2}$  X  $3\frac{1}{2}$  U-bolts & 2520-357  $\frac{1}{2}$  lock hex nuts. **NOTE: MAKE SURE THE BEARING SUPPORT TAB ON THE ROLLER MOUNT IS ON THE BACK SIDE.**



**Step 4:** Place 1) 5000-322 shim washer over the shaft on each end of roller. Place 1) 5000-355 bearing over the shaft on each end of roller making sure that the side of the bearing protruding outside the cast housing faces towards the roller. Lift the roller assembly with bearings into place on the roller mount tube aligning the 3 holes on each bearing casting with the 3 holes on each bearing mount plate on roller mount tube. Mount each bearing to the roller mount using 3)  $\frac{1}{2}$ " X  $2\frac{1}{2}$ " bolts & 3)  $\frac{1}{2}$  lock nuts. When each bearing is fastened into place, spin the roller to ensure correct installation. Roller should spin freely.

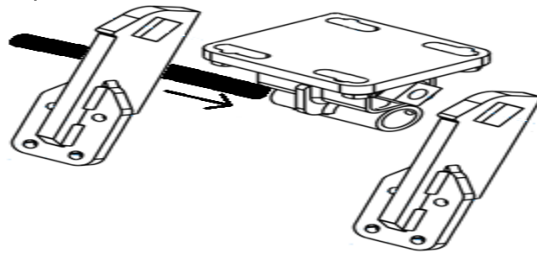
**IMPORTANT:** The shim washer must be installed between roller & bearing. The notches of the bearing housing must face the mounting plate. The extended race on the bearing will face towards the roller.





## LOCK UP

To “lock up” the Devastator roller, install a rod through the hole in the bottom of the torsion mount bracket, in front of the pivot arms. A Lock Pin can be ordered to lock up the devastators, 3841-302.



## OPERATION

**CORN HEAD ANGLE NEEDS TO BE ADJUSTED BETWEEN 23 – 25° FOR OPTIMUM DEVASTATOR PERFORMANCE. USE THE 5000-455 TO CHECK CORN HEAD ANGLE:**

- Put the combine on a level surface. Lower the Corn head to your normal working head height.
- Place the magnetic protractor on the stripper plate to get the angle. Adjust the feeder house as needed, fore or aft, to achieve 23 – 25 degrees.



## STORAGE/TRANSPORT

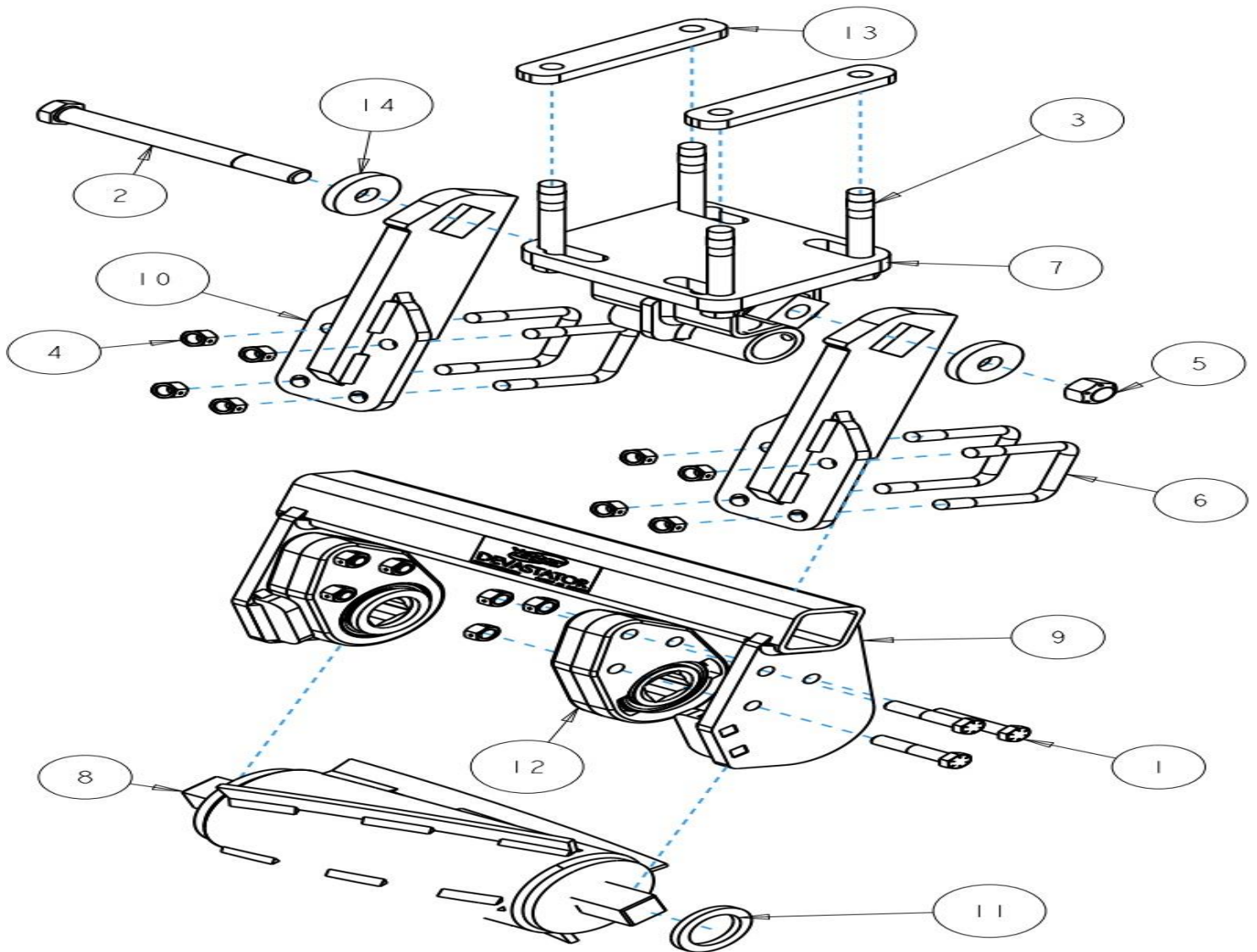
- Head cart may need adjusted to fit the head with devastator correctly. E.g., raising the saddles & top rail on the head cart.
- When disconnecting from the head, leaving pressure on the torsion pivot of the devastator will not damage the devastator.

## BEARING REPLACEMENT/MAINTENANCE

Put the bearing housing in a vice, use a pry bar to turn the bearing in the housing parallel with the slots, remove the old bearing, insert the new bearing in the slots, use a pry bar to move back to position, & grease until a small amount comes out between outer race & cast housing. Wobble the bearing around to help work the lubricant into the outer race of the bearing.



# 5000-090 PART IDENTIFICATIONS



ITEM	PART #	DESCRIPTION	QUANTITY
1	2502-353	1/2-13 X 2 1/2 HHCS GR 8 ZP	6
2	2502-430	3/4 - 10 X 8 HHCS GR 8 ZP	1
3	2502-805	M16 X 2 X 120 HEX FLANGE BOLT W/ THRD LOCK ZP	4
	2502-806	M16 X 2 X 110 HEX FLANGE BOLT W THRD LOCK ZP	4
4	2520-357	1/2-13 LOCK HEX NUT, GR A, ZP	14
5	2520-604	3/4 - 10 HEX TOP LOCK NUT	1
6	2570-568	1/2 X 2 1/2 X 3 1/2 U-BOLT	4
7	5000-147	TORSION PIVOT ASSEMBLY	1
8	5000-2001	1 ROW ROLLER	1
9	5000-2002A	1 ROW ROLLER MOUNT	1
10	5000-292	TORSION ARM W.A.	2
11	5000-322	SHIM WASHER	2
12	5000-355	BEARING ASSEMBLY	2
	2550-059	DEVASTATOR BEARING (NO CAST HOUSING)	2
	2533-110	1/4-28 STRAIGHT GREASE ZERK, SELF TAP	2
13	5000-420	4" CLAMP STRAP	2
14	5000-469	SECURITY CAP	2







A Tradition of Solutions since 1930

Yetter Farm Equipment Co

PO BOX 358 109 S. McDonough

Colchester, IL 62326-0358

Phone: 309-776-4111

Toll Free: 800-447-5777

Email: [info@yetterco.com](mailto:info@yetterco.com)

For updated models and manuals visit the Yetter website:

[www.yetterco.com](http://www.yetterco.com)

© Yetter Farm Equipment Co. All Rights Reserved

2565-972-Rev-A – 02/2024