

Yetter

FARM EQUIPMENT

5000-080

STALK DEVASTATOR EXTENSION KIT

**INSTALLATION INSTRUCTION
PART IDENTIFICATION**

2565-961_REV_A – 11/2017



YETTER MANUFACTURING CO.

Founded 1930

Colchester, IL 62326

Toll free: (800)447-5777.

Fax: (309)776-3222

Website: yetterco.com

E-mail: info@yetterco.com

YETTER

FOREWORD

You've just joined an exclusive but rapidly growing club.

For our part, we want to welcome you to the group and thank you for buying a Yetter product.

We hope your new Yetter products will help you achieve both goals-increase your productivity and increase your efficiency so that you may generate more profit.

This operator's manual has been designed into four major sections: Foreword, Safety Precautions, Installation Instructions and Parts Breakdown.



This **SAFETY ALERT SYMBOL** indicates important safety messages in the manual. When you see this symbol, be alert to the possibility of **PERSONAL INJURY** and carefully read the message that follows.

The word **NOTE** is used to convey information that is out of context with the manual text. It contains special information such as specifications, techniques and reference information of a supplementary nature.

The word **IMPORTANT** is used in the text when immediate damage will occur to the machine due to improper technique or operation.

Important will apply to the same information as specified by note only of an immediate and urgent nature.

It is the responsibility of the user to read the operator's manual and comply with the safe and correct operating procedure and to lubricate and maintain the product according to the maintenance schedule in the operator's manual.

The user is responsible for inspecting his machine and for having parts repaired or replaced when continued use of the product would cause damage or excessive wear to the other parts.

It is the user's responsibility to deliver his machine to the Yetter dealer who sold him the product for service or replacement of defective parts, which are covered by the warranty policy.

If you are unable to understand or follow the instructions provided in this publication, consult your local Yetter dealer or contact:

YETTER MANUFACTURING CO.

309/776-4111

800/447-5777

309/776-3222 (FAX)

Website: www.yetterco.com

WARRANTY

Yetter Manufacturing warrants all products manufactured and sold by it against defects in material. This warranty being expressly limited to replacement at the factory of such parts or products as shall appear to be defective after inspection. This warranty does not obligate the Company to bear cost of labor in replacement of parts. It is the policy of the Company to make improvements without incurring obligations to add them to any unit already sold. No warranty is made or authorized to be made, other than herein set forth. This warranty is in effect for one year after purchase.

DEALER: _____

Yetter Manufacturing warrants its own products only and cannot be responsible for damages to equipment on which mounted.

BE ALERT!

YOUR SAFETY IS INVOLVED



WATCH FOR THIS SYMBOL. IT POINTS OUT IMPORTANT SAFETY PRECAUTIONS. IT MEANS “ATTENTION – BE ALERT!”

It is your responsibility as an owner, operator, or supervision to know and instruct everyone using this machine at the time of initial assignment and at least annually thereafter, of the proper operation, precautions, and work hazards which exist in the operation of the machine in accordance with OSHA regulations.

Safety Is No Accident

The following safety instructions, combined with common sense, will save your equipment from needless damage and the operator from unnecessary exposure to personal hazard. Pay special attention to the caution notes in the text. Review this manual at least once a year with all operators.



1. Read and understand the operator's manual before operating this machine. Failure to do so is considered a misuse of the equipment.
2. Make sure equipment is secure before operating.
3. Always keep children away from equipment when operating.
4. Make sure everyone that is not directly involved with the operation is out of the work area before beginning operation.
5. Make sure all safety devices, shields, and guards are in place and functional before beginning operation
6. Shut off all power to adjust, service, or clean.
7. Keep hands, feet, and clothing away from moving parts. It is a good idea to remove all jewelry before operating.
8. Inspect the machine periodically during operation for signs of excessive wear, loose fasteners, and unusual noises.

PLEASE READ, VERY IMPORTANT



SECURE CORN HEADER AGAINST UNWANTED LOWERING BY APPLYING THE LOCKING MECHANISM ON THE HYDRAULIC CYLINDERS!

- 1. Attach head to combine, lock head to combine**
- 2. Raise the head off the ground and engage safety stop on the feeder house cylinder**
- 3. Engage the parking break on the combine**
- 4. Turn off combine engine and remove the key**

FOLLOW ALL INSTRUCTIONS GIVEN BY THE COMBINE MANUFACTURER

PLEASE READ, VERY IMPORTANT



Subject to the size and weight of the corn header, one or two additional hydraulic cylinders may be required.

The combine manufacturer generally keeps corresponding kits readily available for dealers.

Subject to the design of the corn header and the carrying capacity of different combines, the steering axle may require the fitting of additional weights and the rear tires be filled with ballast.

**FOLLOW ALL INSTRUCTIONS GIVEN BY THE COMBINE
MANUFACTURER**

INSTALLATION

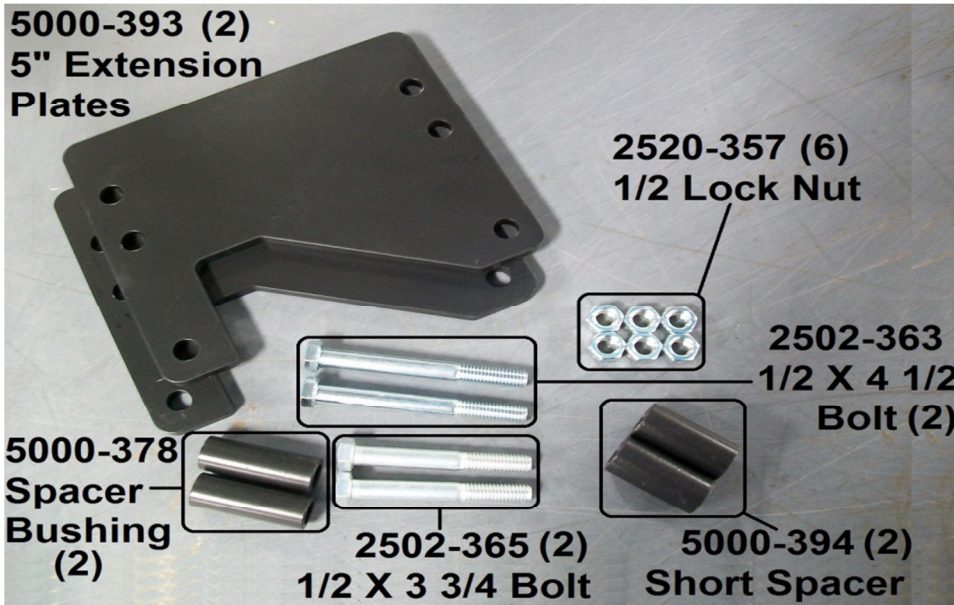
Purpose: Devastator Extension Kit will move the Devastator roller & roller tube back 5" from the standard positioning to increase the distance from the roller / tube & knife / snapping rolls.

***Tools Needed: Impact Wrench, 3/4" Impact Socket, and 3/4" Wrench**

****If adding the Extension Kit to an already installed Devastator, start at Step 1.**

*****If installing new Devastator & Extension Kit, start at Step 3.**

5000-080 BOM (per kit ordered)



TOOLS NEEDED

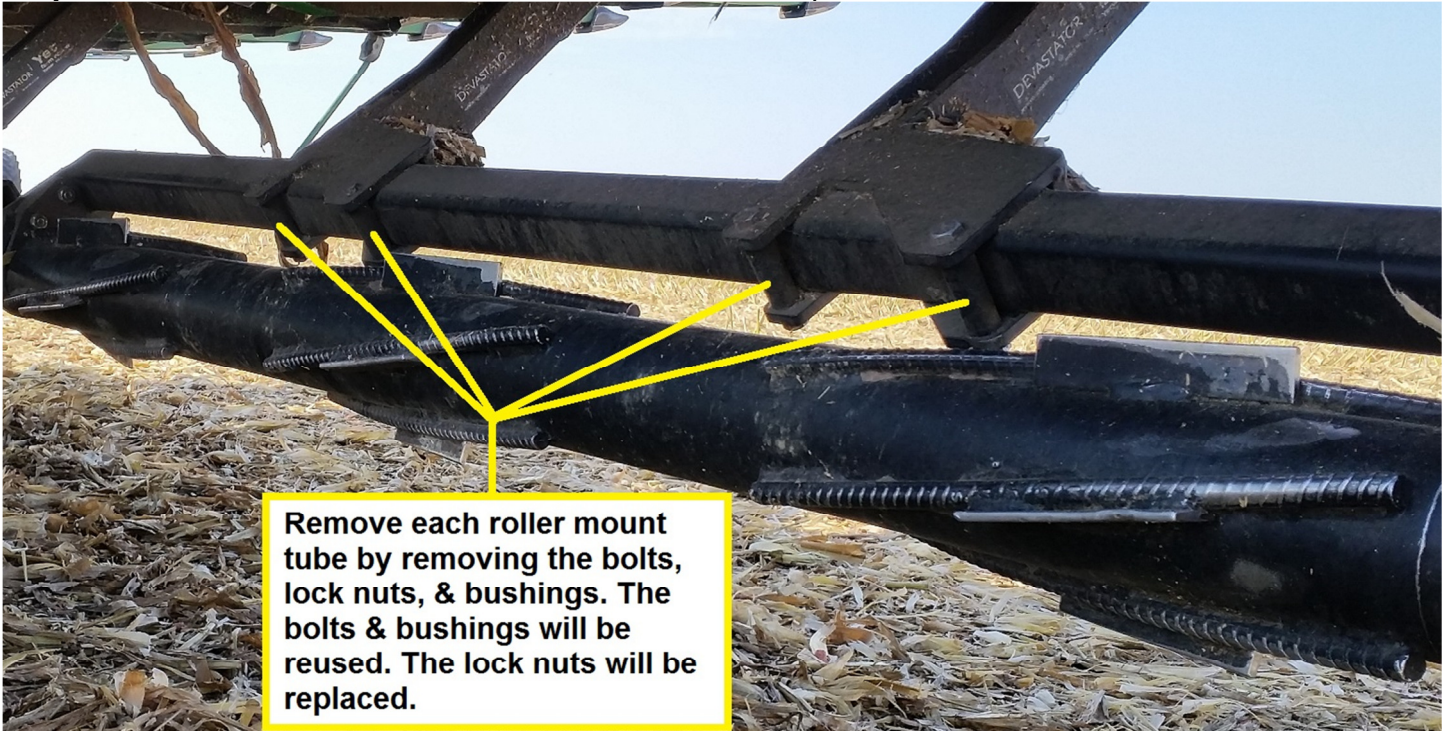


Step 1: Remove the Devastator roller from the roller mount tube by removing 3) 1/2" bolts from 1 bearing assembly. Drop the roller by sliding the shaft out of the bearing on the opposite end.



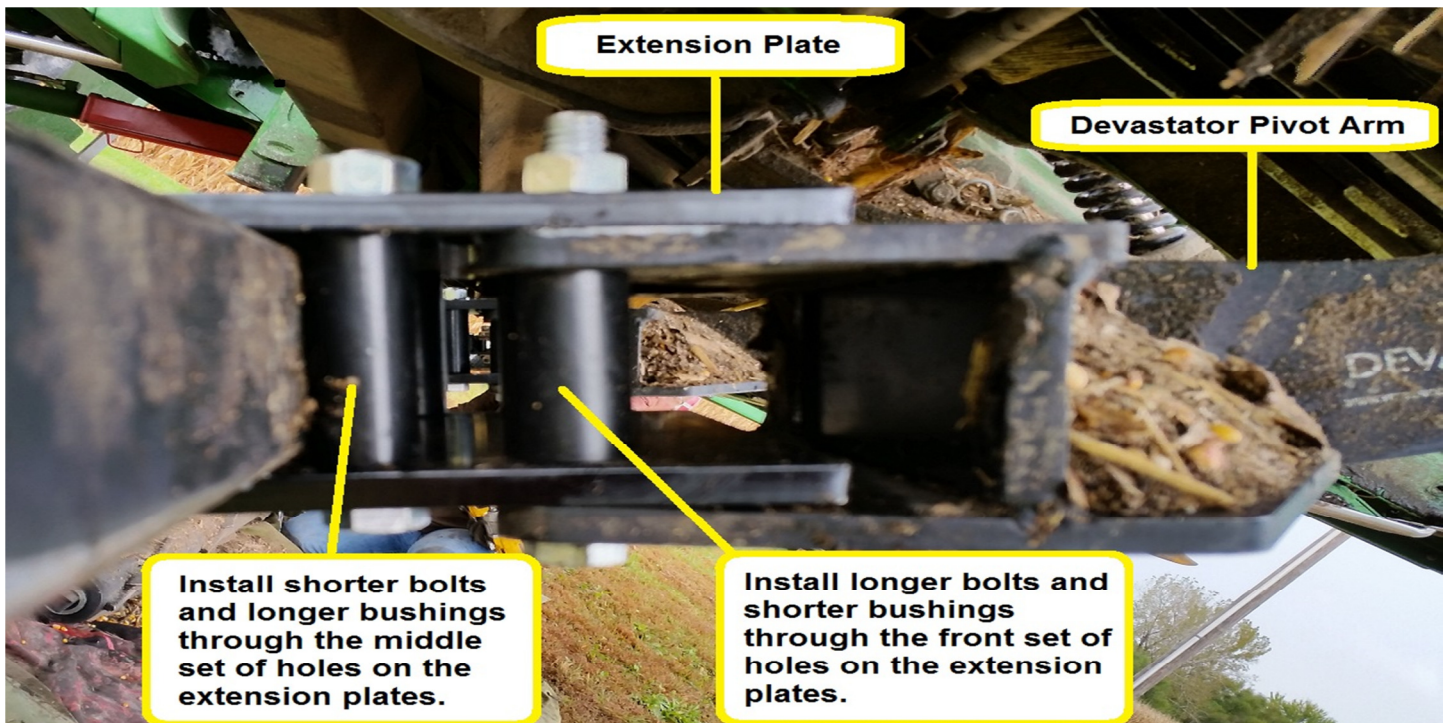
INSTALLATION CONT'D

Step 2: Unbolt the roller mount tube from the Devastator pivot arms.



Step 3: Attach the Devastator extension plates to the existing pivot arms using the 2) 2502-363 1/2"-13 X 4 1/2" & 5000-394 shorter spacer through the front holes of the 5000-393 extension plate. Install the 2) 2502-365 1/2"-13 X 3 3/4" & 5000-378 spacer bushing through the middle set of holes on the 5000-393 extension plates. The 5000-393 extension plates will set on top of the upper and lower plates on the pivot arm. The cutout on the extension plates should match that of the pivot arm.

***Install the bolts from the bottom up so the threads are facing corn head & not towards the ground**



INSTALLATION CONT'D

Step 4: Place the roller mount tube inside of the extension brackets similar to how the mount tube was originally installed into the Devastator pivot arm mount. Use the original bolts & bushings that were removed from the Devastator mount arms in **Step 2**.

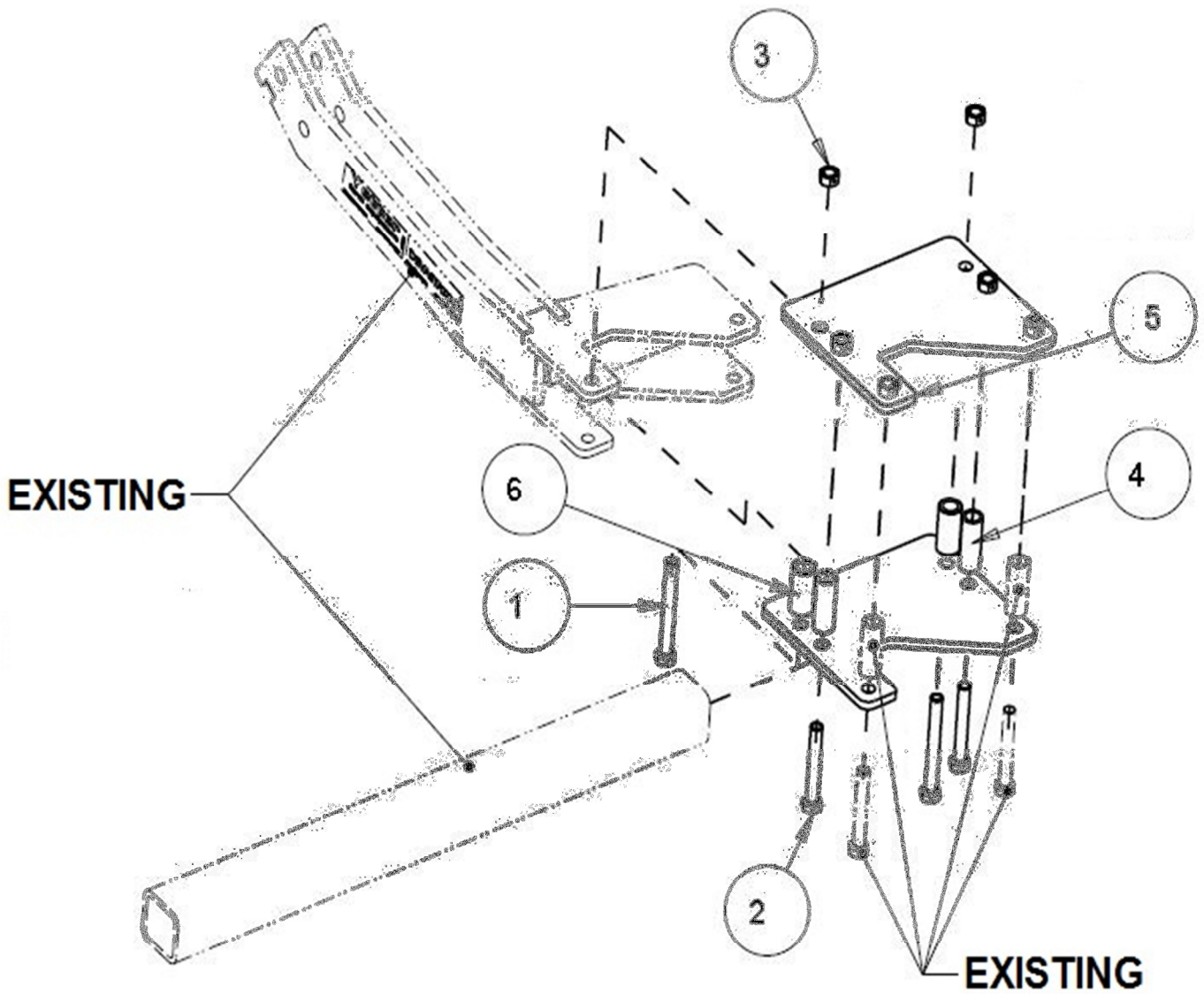
***Install the bolts from the bottom up so the threads are facing corn head & not towards the ground**



Step 5: Install the roller back onto the roller mount arm by placing 1) 5000-322 shim washer on each end of the roller. Slide the shaft of the roller back into the bearing that was left installed on the roller mount tube. Place the bearing over the shaft at the other end of the roller, **making sure the side of the bearing assembly where the bearing is protruding outside of the cast housing is towards the roller!** Raise the roller into position to insert the 3) 1/2" bolts & then use the original nuts to secure the roller.



5000-080 PARTS IDENTIFICATION



ITEM	PART NUMBER	DESCRIPTION	QUANTITY
1	2502-363	1/2 - 13 X 4 1/2 HHCS GR 5 ZP	2
2	2502-365	1/2 - 13 x 3 3/4 HHCS GR 5 ZP	2
3	2520-357	1/2 - 13 LOCK HEX NUT, GR A, ZP	6
4	5000-378	SPACER BUSHING	2
5	5000-393	5" EXTENSION PLATE	2
6	5000-394	SHORT SPACER	2



NOTES

- It is recommended to operate the Devastator with the angle of the deck plates on the corn head at 23 – 25 degrees. The angle can be checked by lowering the corn head to the cutting position and putting a digital protractor on the deck plates. See the Combine Operators Manual on how to make feeder house adjustments to set the correct angle.
- Make sure to spin the roller when installation is complete to ensure each bearing was installed correctly.

Our name Is getting known

Just a few years ago, Yetter products were sold primarily in the Midwest. Then, we embarked on a program of expansion to move into the East, South, West, and now North into Canada. We are even getting orders from as far away as Australia and Africa.

So, when you buy Yetter products, you are buying a name that is recognized. A name that is known and respected. A name that has become a part of American agriculture and become synonymous with quality and satisfaction in the field of conservation tillage.

From all of us here at Yetter,
Thank you

Yetter Manufacturing
Colchester, IL 62326
Phone: (309)776-5777
Toll Free: (800)447-5777
Fax: (309)776-3222
Website: www.yetterco.com
E-mail: info@yetterco.com