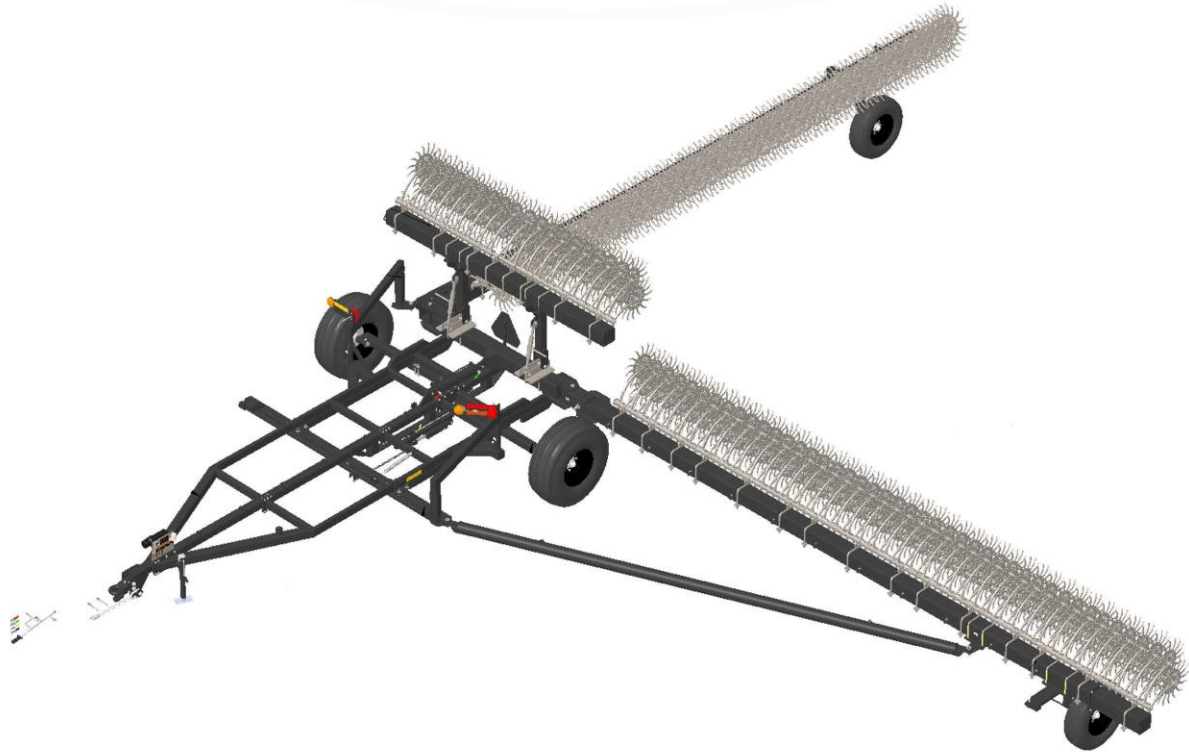


Yetter

FARM EQUIPMENT



3650 / 3660 / 3666 ROTARY HOE PARTS MANUAL

2565-974 _REV_B • 02/2024

YETTER MANUFACTURING CO.
FOUNDED 1930

Colchester, IL 62326-0358
Toll free: 800/447-5777
309/776-3222 (Fax)
Website: www.yetterco.com
E-mail: info@yetterco.com

YETTER



FOREWORD

You've just joined an exclusive but rapidly growing club.

For our part, we want to welcome you to the group and thank you for buying a Yetter product.

We hope your new Yetter products will help you achieve both goals-increase your productivity and increase your efficiency so that you may generate more profit.

This operator's manual has been designed into four major sections: Foreword, Safety Precautions, Installation Instructions and Parts Breakdown.



This **SAFETY ALERT SYMBOL** indicates important safety messages in the manual. When you see this symbol, be alert to the possibility of **PERSONAL INJURY** and carefully read the message that follows.

The word **NOTE** is used to convey information that is out of context with the manual text. It contains special information such as specifications, techniques and reference information of a supplementary nature.

The word **IMPORTANT** is used in the text when immediate damage will occur to the machine due to improper technique or operation.

Important will apply to the same information as specified by note only of an immediate and urgent nature.

It is the responsibility of the user to read the operator's manual and comply with the safe and correct operating procedure and to lubricate and maintain the product according to the maintenance schedule in the operator's manual.

The user is responsible for inspecting his machine and for having parts repaired or replaced when continued use of the product would cause damage or excessive wear to the other parts.

It is the user's responsibility to deliver his machine to the Yetter dealer who sold him the product for service or replacement of defective parts, which are covered by the warranty policy.

If you are unable to understand or follow the instructions provided in this publication, consult your local Yetter dealer or contact:

YETTER MANUFACTURING CO.

309/776-4111

800/447-5777

309/776-3222 (FAX)

Website: www.yetterco.com

E-mail: info@yetterco.com

WARRANTY

Yetter Manufacturing warrants all products manufactured and sold by it against defects in material. This warranty being expressly limited to replacement at the factory of such parts or products as shall appear to be defective after inspection. This warranty does not obligate the Company to bear cost of labor in replacement of parts. It is the policy of the Company to make improvements without incurring obligations to add them to any unit already sold. No warranty is made or authorized to be made, other than herein set forth. This warranty is in effect for one year after purchase.

DEALER: _____

Yetter Manufacturing warrants its own products only and cannot be responsible for damages to equipment on which mounted.



ILLUSTRATED PARTS LIST

Yetter 3650, 3660, 3660 Rotary Hoe

This form must be filled out by the dealer and signed by both the dealer and the customer at the time of delivery.

Customer Name				
Address				
City		State		Zip
Phone				
Dealer Name				
Address				
City		State		Zip
Model Number				
Serial Number				
Delivery Date				

DEALER INSPECTION REPORT

- All Fasteners Tight
- Wheel Bolts Torqued
- Hydraulic Hoses and Fittings Free and Tight
- Fertilizer Hoses and Fittings Free and Tight
- Wheel Drive Turns Freely
- Lubricate Machine
- Check Tire Pressure
- Frame and Wings Level
- Monitors and Controllers Function
- Wiring Harness Connected

SAFETY

- Safety Chain Installed
- All Guards Installed
- All Safety Signs Installed
- Reflectors, SMV and Lights Clean
- Review Operating and Safety Instructions

I have thoroughly instructed the buyer on the above described equipment which review included the Operator's Manual content, equipment care, adjustments, safe operation and applicable warranty policy.

Date _____

Dealer's Rep. Signature _____

The above equipment and Operator's Manual have been received by me and I have been thoroughly instructed as to care, adjustments, safe operation and applicable warranty policy.

Date _____

Owner's Signature _____

ROTATRY HOE SERIAL # _____

DATE PURCHASED ____/____/____ **WIDTH** _____

General Information

All rights, especially copying and distribution rights are reserved. No part of this publication may be reproduced in any form or by any means, electronic or mechanical, including photocopying, without express written permission from Yetter Manufacturing.

Parts information in this manual represents components installed when product was manufactured based upon the best available information. Modifications made subsequent to initial delivery are not included. Always verify the parts and color required when ordering parts.

If you have any questions, please contact your Yetter Parts and Service Department.

Explanation of Parts Lists

The parts lists are broken down sub assemblies and listed in 4 columns:

- ITEM - These numbers are found on the illustration associated with the parts list.
 - NS- This item is NOT SHOWN, included for reference.
- QTY. - This is the quantity of parts needed in an assembly.
 - AR- The quantity of this item is AS REQUIRED for the location.
- PART NO.- These are the part numbers associated to the ITEM.
- DESCRIPTION - This is the description of the part.

Section	Table of Contents	Page
Table of Contents		4
Rotary Hoe Info		5
Base Rotary Hoe Assembly		6-12
Bare Toolbar Assembly		14-15
Base Toolbar Assembly		16-17
Depth Adjust Assembly		18
LH Wing Wheel Assembly		19
RH Wing Wheel Assembly		20
50' Toolbar		21-22
60' Toolbar		23
66' Toolbar		24-25
Row Depth Adjust Assembly		26-27
Slide Pivot Assembly		28
Hub and Spindle Assembly (N709) 730106		29
Hub and Spindle Assembly (N45-8) 730008		30
Hub and Spindle Assembly (N890) 730113		31
Rotary Hoe Wheel Axle Assembly		32-33
Hydraulic Assembly		34
Center Cylinder Hoses		35
Field Latch Hoses		36
Hydraulic Fitting Locations		37
Wing Fold Hoses		38
Hydraulic Diagram		39

ROTARY HOE INFO:

3650-101 TOTAL WEIGHT – 11,000 LBS. # OF HOE WHEELS – 174
3660-101 TOTAL WEIGHT – 13,000 LBS. # OF HOE WHEELS – 208
3666-101 TOTAL WEIGHT – 14,500 LBS. # OF HOE WHEELS – 230

7" X 7" MAIN FRAME

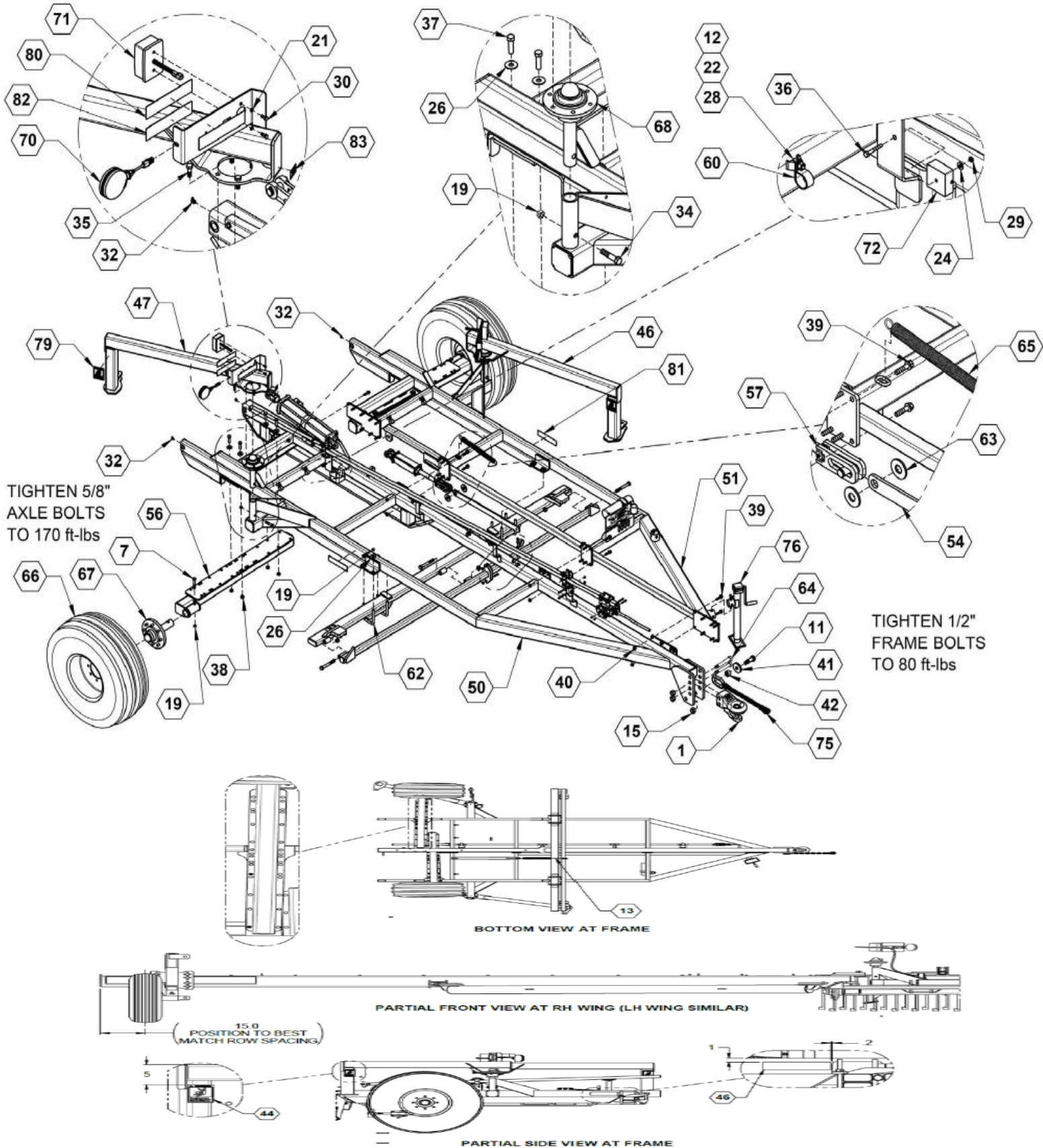
TRANSPORT WIDTH – 11.5 FEET

3.25" HOE WHEEL SPACING

TIRES MAIN – 14L-16.1 10 PLY WITH 8 BOLT HUB
 GAUGE – 9.5L-15SL 8 PLY WITH 6 BOLT



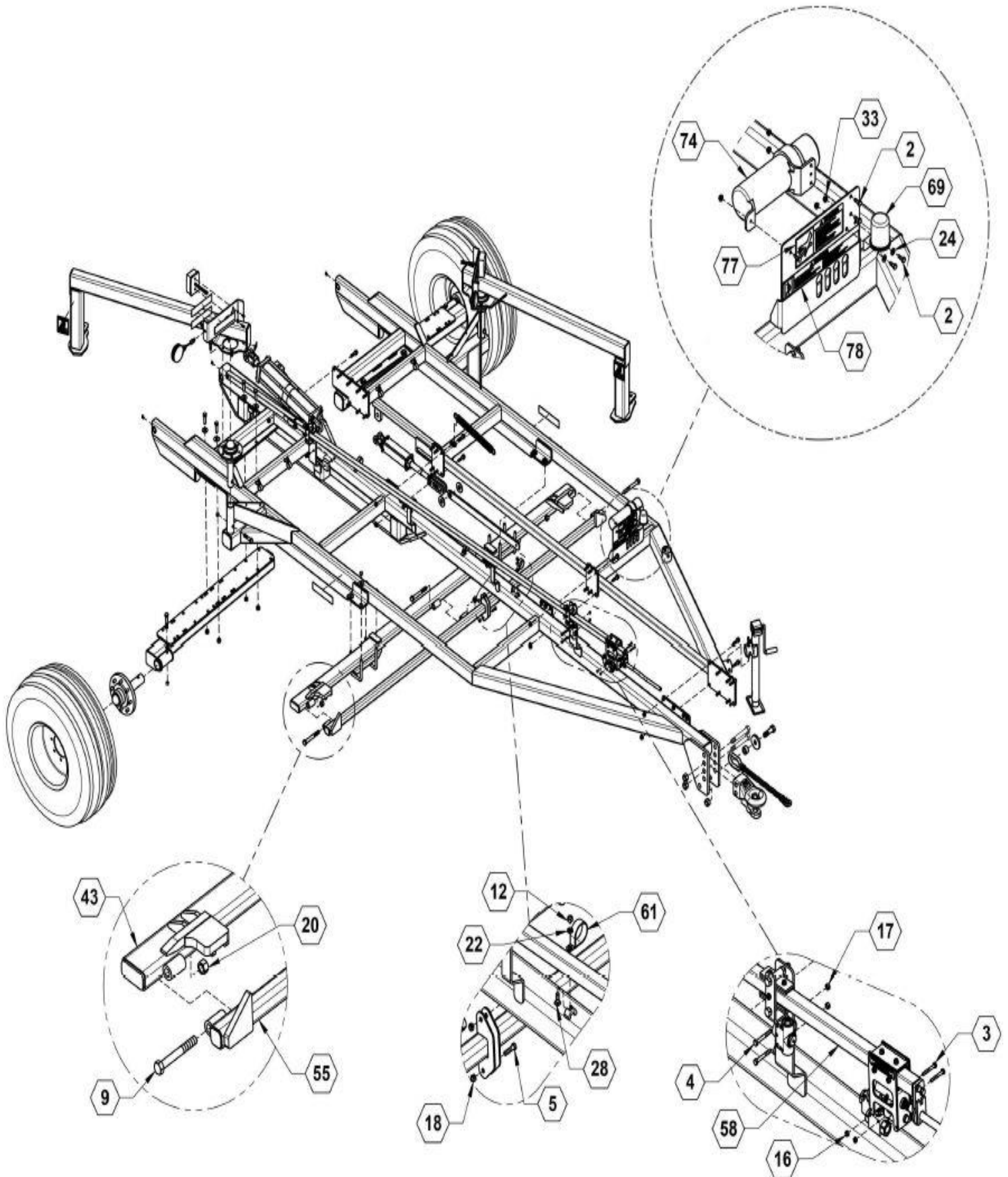
Base Rotary Hoe Assembly



Base Rotary Hoe Assembly Parts List

ITEM	PART NO.	QTY.	DESCRIPTION
1	90SAHITCHLG	1	HITCH, LARGE CAT 4
7	173	2	BOLT, HH 5/8 X 3-1/2 NC GR5 ZINC
11	201	1	BOLT, HH 1-8 X 3 1/2 GR5 ZINC
12	213	11	NUT, HEX 3/8-16 ZINC
13	28051	1	PLATE, 3/8" FIELD LATCH
15	234	3	NUT, HEX NYLOCK 1-8 ZINC
19	240	12	NUT, CENTERLOCK, 5/8-11, ZINC
21	248	4	WASHER, LOCK, 1/4 ZINC
22	250	11	LOCKWASHER, 3/8 ZINC
24	256	5	WASHER, FLAT, 1/4 ZINC
26	261	16	WASHER, FLAT, 5/8 ZINC
28	592	11	BOLT, CARRIAGE 3/8-16 X 1 ZINC
29	622	1	NUT, TOPLOCK 1/4-20 ZINC
30	737	4	BOLT, HH 8-1.25 X 20MM 8.8 ZINC
32	761	3	ZERK, 90°, 1/4-28 STRAIGHT PIPE THREAD
34	812	2	BOLT, HH 5/8-11 X 3 GR8 ZINC
35	813	8	BOLT, 1/2-20 UNF X 1-1/2 GR5 ZINC
36	814	3	BOLT, 1/4 X 1-3/4 GR5 ZINC
37	815	8	BOLT, HH 5/8-11 X 2-1/4 GR8 ZINC
38	817	8	NUT, CENTERLOCK, 5/8-11, GR8 ZINC
39	819	28	HHCS, FLANGED 1/2 X 2 G8 ZINC
40	820	28	NUT, FLANGED LOCK, 1/2-13 G8 ZINC
41	15829	1	WASHER PLATE, SAFETY CHAIN
42	15835	1	BUSHING, SAFETY CHAIN SPACER
44	800105	2	DECAL, WARNING-STAND CLEAR
46	27928	1	WLDMNT, LH FOLD ARM
47	27929	1	WLDMNT, RH FOLD ARM
50	28031	1	WLDMNT, RH FRAME
51	28032	1	WLDMNT, LH FRAME
56	28070	2	WLDMNT, FRONT AXLE
57	28073	1	ASSY, ROTARY HOE HYDRAULICS
62	590062	4	U-BOLT, 4 X 6 X 5/8 SQ. BEND, ZINC
63	590146	2	WASHER, FLAT 1" ZINC
64	590153	2	BOLT, HH 1-8 X6 -3/4 X 1-1/4 THD GR5 ZINC
65	590834	1	SPRING, CENTURY SPRING 4075
66	700208	2	WHEEL, TITAN 14L 16.1 SL, 8 BOLT RIM
67	730008	2	HUB & SPINDLE ASM, 8 BOLT
68	730106	2	HUB ASSEMBLY, N709
70	740024	2	LIGHT, AMBER WARNING
71	740025	2	TAILLIGHT, RED
72	740031	1	LIGHT MODULE
75	790049	1	SAFETY CHAIN, 20,000LB
76	790051	1	JACK, 5000 LB SIDE WIND
80	800109	2	DECAL, RED REFLECTOR
81	800110	4	DECAL, AMBER REFLECTOR
82	800111	2	DECAL, ORANGE REFLECTOR
83	800287	7	DECAL, GREASE PIVOT POINTS

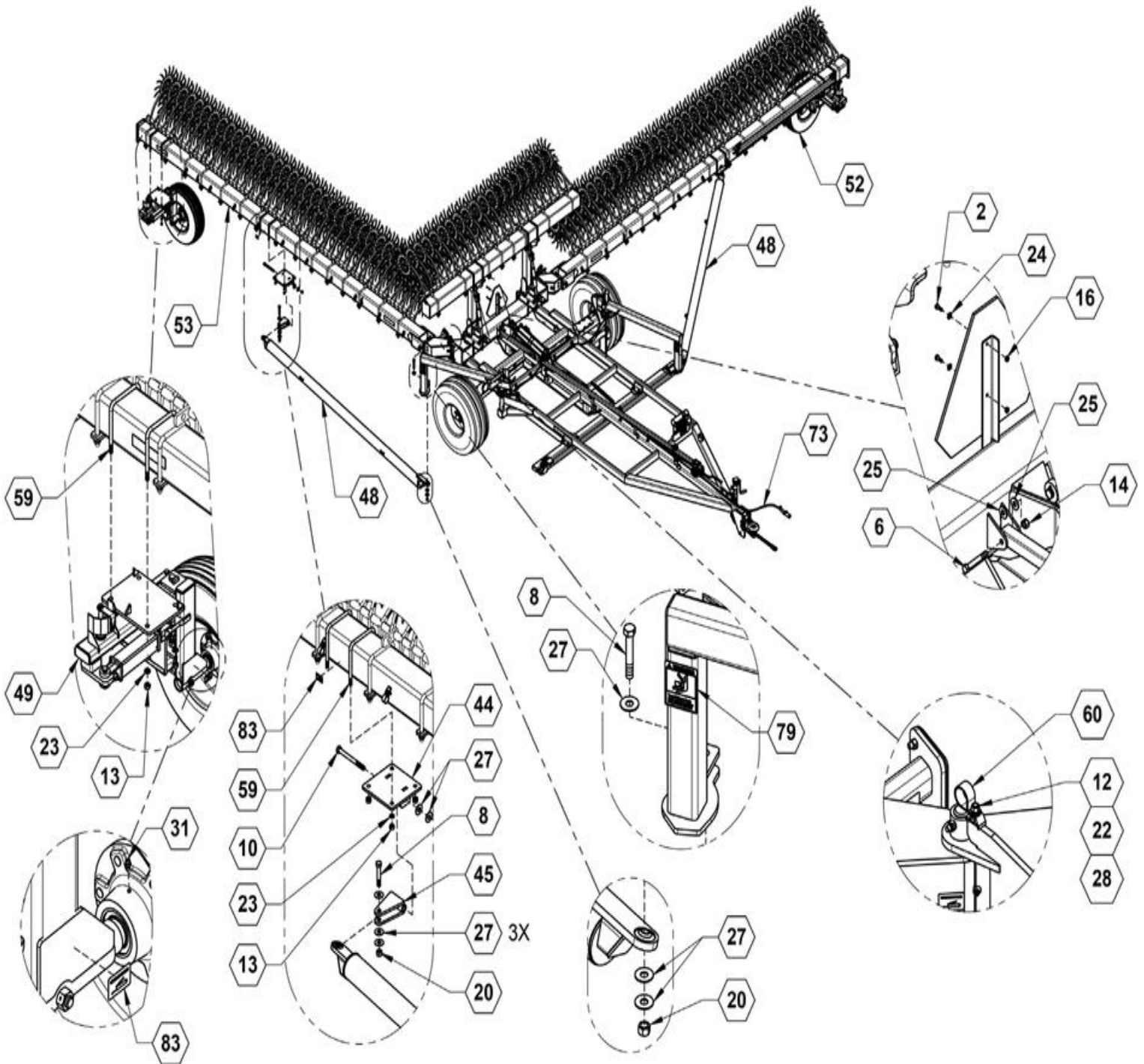
Base Rotary Hoe Assembly



Base Rotary Hoe Assembly Parts List

ITEM	PART NO.	QTY.	DESCRIPTION
2	101	7	BOLT, HH 1/4-20 X 3/4 GR5 ZINC
3	104	4	BOLT, HH 1/4-20 X 2 GR5 ZINC
4	118	2	BOLT, HH 5/16-18 X 2-1/2 GR5 ZINC
5	129	2	BOLT, HH 3/8-16 X 1-1/2 GR5 ZINC
9	192	3	BOLT HH 3/4-10 X 6 GR5 ZINC
12	213	11	NUT, HEX 3/8-16 ZINC
16	235	6	NUT, CENTERLOCK, 1/4-20 GR5 ZINC
17	236	2	NUT, CENTERLOCK, 5/16-18 GR5 ZINC
18	237	2	NUT, CENTERLOCK 3/8-16 ZINC
20	241	9	NUT, CENTERLOCK, 3/4-10 GR5 ZINC
22	250	11	LOCKWASHER, 3/8 ZINC
24	256	5	WASHER, FLAT, 1/4 ZINC
28	592	11	BOLT, CARRIAGE 3/8-16 X 1 ZINC
33	767	7	NUT, FLANGE, 1/4 - 20 ZINC
43	27490	1	WLDMNT, FIELD LOCK
55	28065	1	WLDMNT, FIELD LOCK PIVOT
58	28090	1	ASSY, DEPTH ADJUSTMENT
61	540051	5	P-CLAMP, 2" W/3/8" HOLE
69	740018	1	LIGHT HARNESS HOLDER
74	750048	1	MANUAL HOLDER
77	800098	1	DECAL, WARNING-HYDRAULIC FLUID
78	800104	1	DECAL, WARNING – DO NOT SPEED

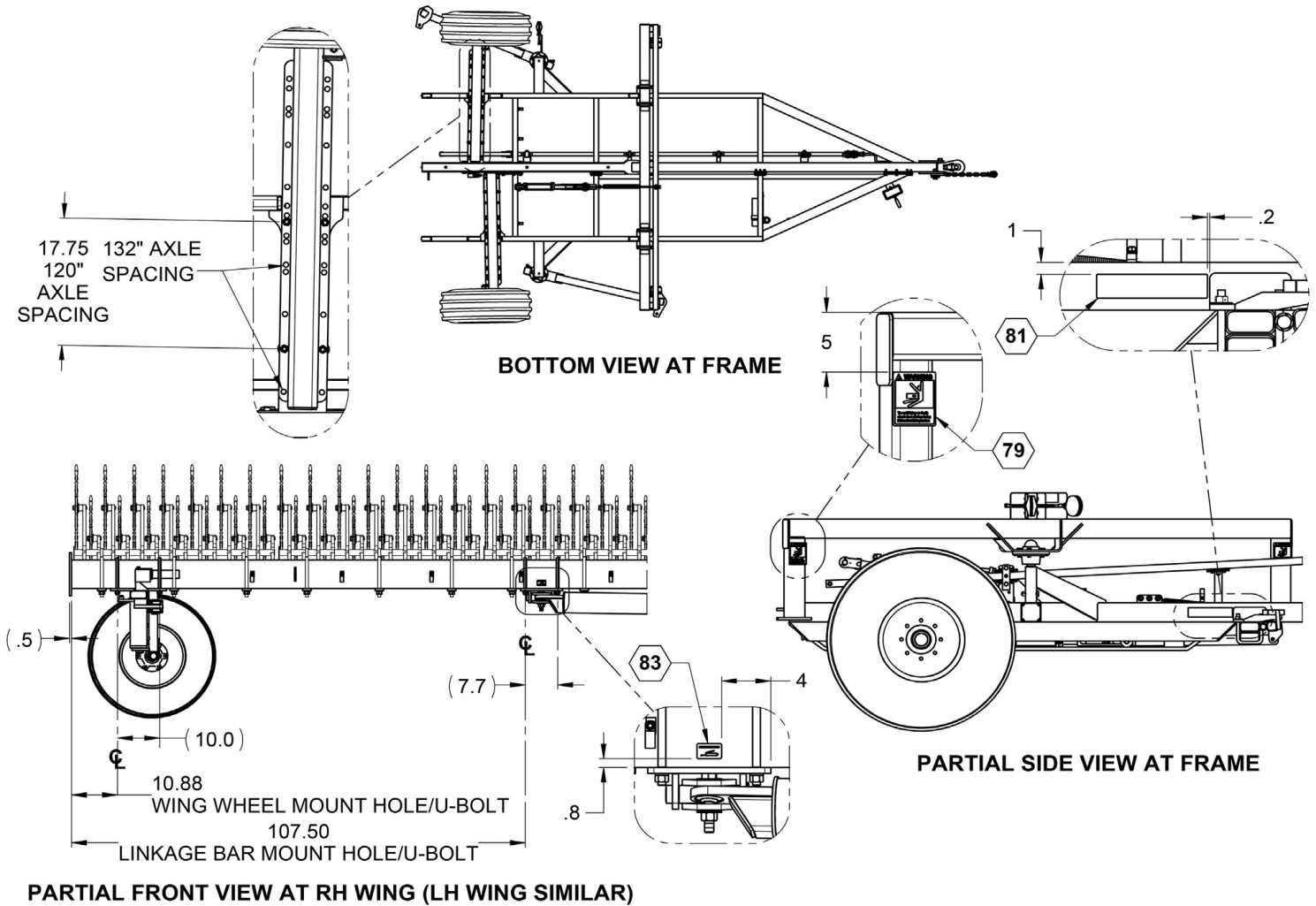
Base Rotary Hoe Assembly



Base Rotary Hoe Assembly Parts List

ITEM	PART NO.	QTY.	DESCRIPTION
2	101	7	BOLT, HH 1/4-20 X 3/4 GR5 ZINC
6	157	1	BOLT, HH 1/2-13 X 3-1/2 GR5 ZINC
8	189	4	BOLT, HH 3/4-10 X 4 1/2 GR5 ZINC
10	196	2	BOLT, 3/4-10 X 8 GR5 ZINC
12	213	11	NUT, HEX 3/8-16 ZINC
13	216	16	NUT, HEX 5/8-11, ZINC
14	231	1	NUT, HEX NYLOCK 1/2-13 ZINC
16	235	6	NUT, CENTERLOCK, 1/4-20 GR5 ZINC
20	241	9	NUT, CENTERLOCK, 3/4-10 GR5 ZINC
22	250	11	LOCKWASHER, 3/8 ZINC
23	253	16	LOCKWASHER, 5/8" ZINC
24	256	5	WASHER, FLAT, 1/4 ZINC
25	260	2	WASHER, FLAT, 1/2 ZINC
27	262	16	WASHER, FLAT 3/4 ZINC
28	592	11	BOLT, CARRIAGE 3/8-16 X 1 ZINC
31	759	6	ZERK, 1/4-28 STRAIGHT PIPE THREAD
44	27506	2	WLDMNT, LINKAGE MOUNT
45	27510	2	WLDMNT, LINKAGE SWING
48	28007	2	WLDMNT, LINKAGE BAR
49	28020	1	ASSY, RH WING WHEEL
52	28035	1	ASSY, LH WING WHEEL
53	28046	1	ASSY, BASE TOOLBAR
59	530172	8	U-BOLT, 7 X 7 X 5/8, ZINC
60	540035	6	P-CLAMP, 1-1/4"
73	740047	1	HARNESS, TAILLIGHT
79	800105	2	DECAL, WARNING-STAND CLEAR
83	800287	7	DECAL, GREASE PIVOT POINTS

Base Rotary Hoe Assembly

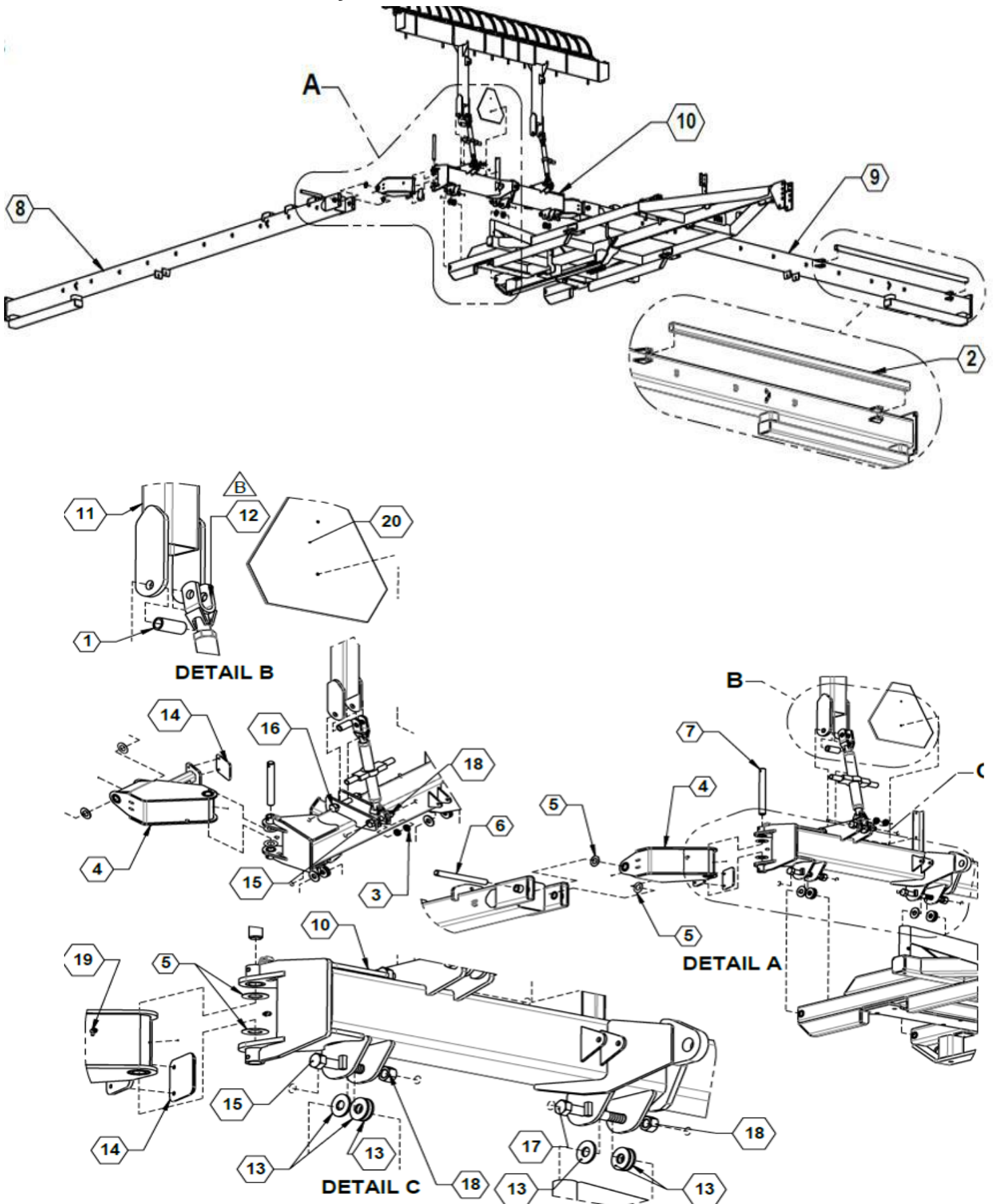


ITEM	PART NO.	QTY.	DESCRIPTION
79	800105	2	DECAL, WARNING-STAND CLEAR
81	800110	4	DECAL, AMBER REFLECTOR
83	800287	7	DECAL, GREASE PIVOT POINTS

PAGE BREAK



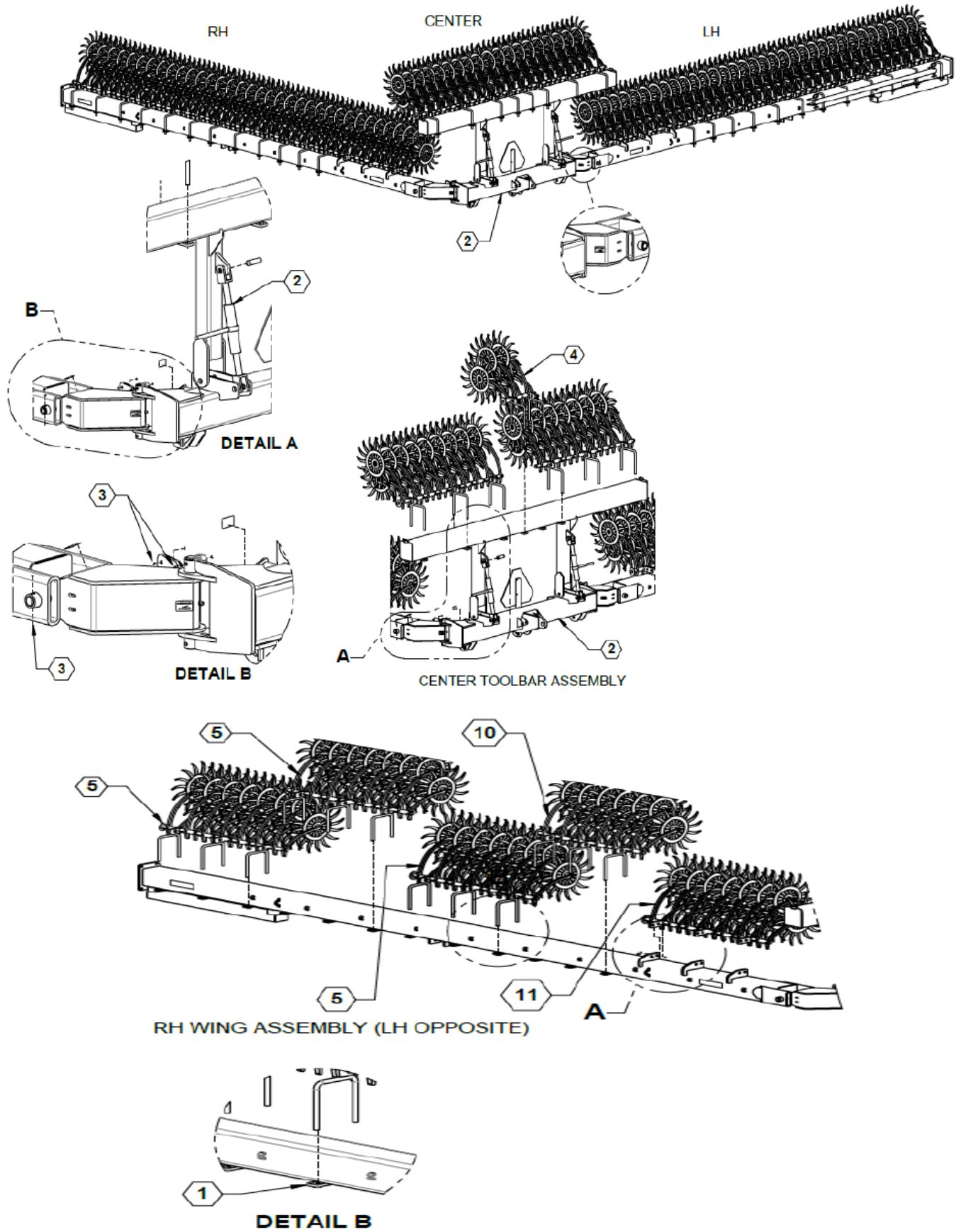
Base Toolbar Assembly



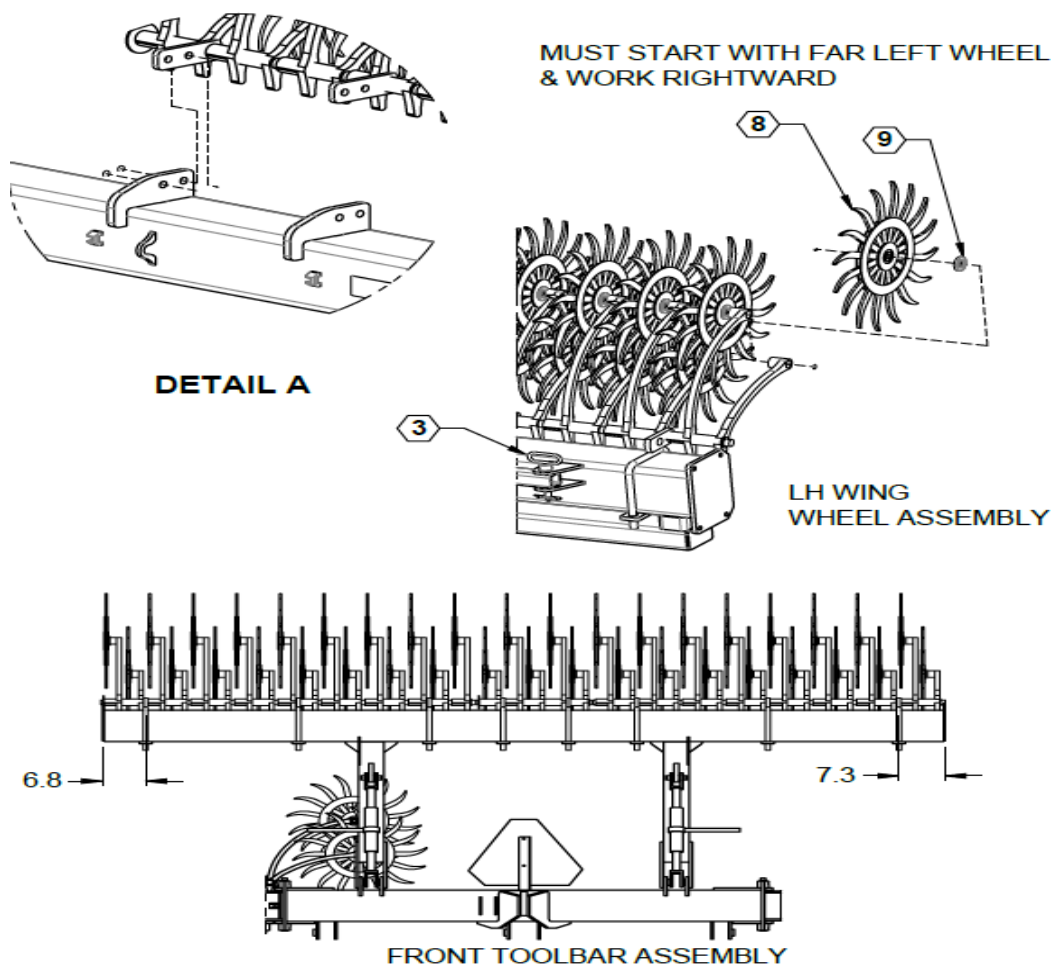
Bare Toolbar Assembly Parts List

ITEM	PART NO.	QTY.	DESCRIPTION
1	27537	2	BUSHING, LONG SPACER
2	27959	1	TUBE, CROSS BAR
3	27538	4	BUSHING, SHORT SPACER
4	27999	2	FLEX JOINT WELDMENT
5	28037	8	1.5ID X 2.5OD THRUST WASHER
6	28050	2	PIN 1.25 DIAMETER
7	28058	2	PIVOT PIN
8	34443	1	RH MAIN WING WELDMNT
9	34444	1	LH MAIN WING WELDMENT
10	34446	1	CENTER TOOLBAR WELDMENT
11	34447	1	TOOLBAR BRACKET
12	35908	2	REINFORCED 24" TURNBUCKLE
13	590146	9	WASHER 1"
14	590265	2	WEAR PLATE
15	596205M	4	CAP SCREW 1-8 X 5.5 GRADE 5
16	596207M	2	CAP SCREW 1-8 X 6.5 GRADE 5
17	596209M	1	CAP SCREW 1-8 X 7.5 GRADE 5
18	596242	7	HEX NUT 1-8 CENTER LOCK
19	761	4	LUBE FITTING 90 DEGREE ¼-28 THREAD
20	790017	1	SIGN, SMV PLASTIC MOLDED

Base Toolbar Assembly

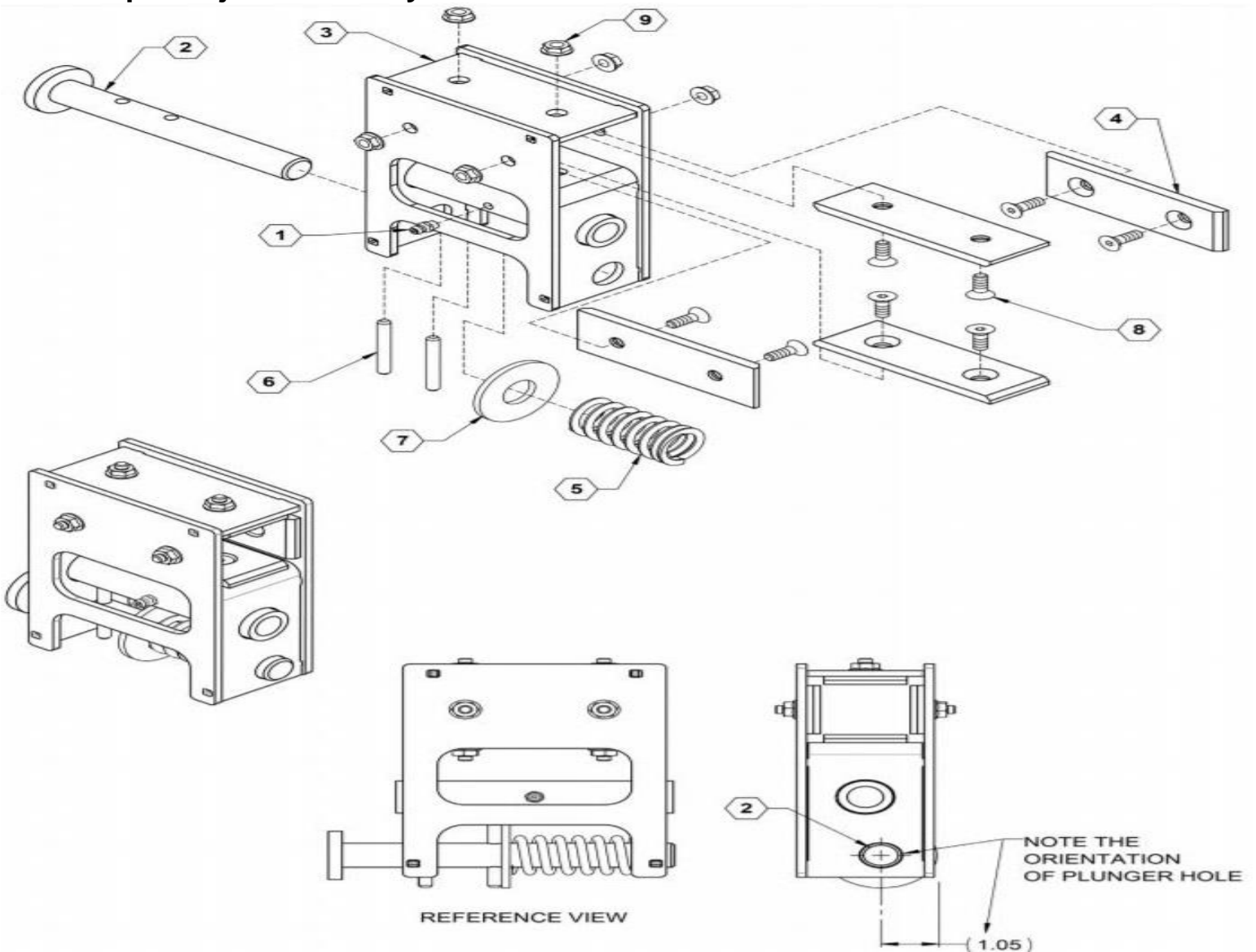


Base Toolbar Assembly



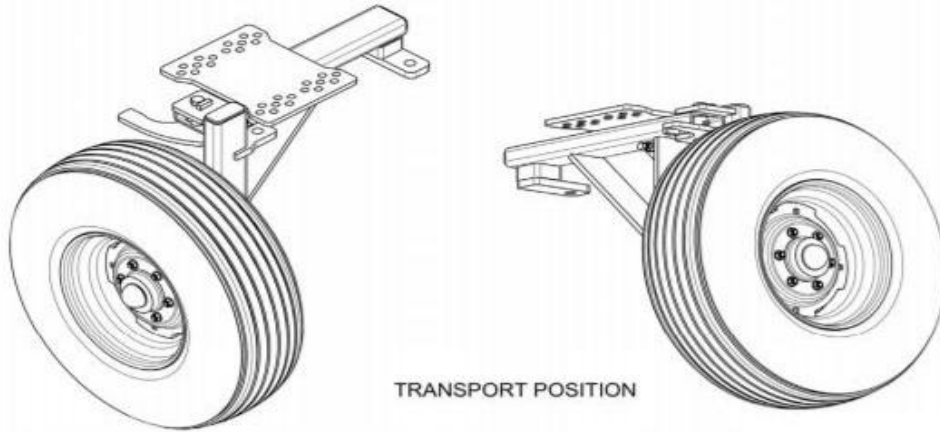
ITEM	PART NO.	QTY.	DESCRIPTION
1	3400-323	32	CONNECTING PLATE 7 X 7
2	34448	1	BASE TOOLBAR ASSEMBLY
3	790043	2	HITCH PIN 5/8" X 4"
4	3500-187	1	5 WHEEL ARM/AXLE ASSEMBLY
5	3500-104	6	14 WHEEL ARM/AXLE ASSEMBLY
6	3500-185	1	16 WHEEL ARM/AXLE ASSEMBLY
7	3500-189	1	17 WHEEL ARM/AXLE ASSEMBLY
8	3400-111	174	WHEEL ASSEMBLY
9	3400-408	174	SHIELD
10	3500-103	2	12 WHEEL ARM/AXLE ASSEMBLY
11	3500-184	2	14 WHEEL ARM/AXLE ASSEMBLY WITH TABS
12	800110	4	DECAL AMBER REFLECTOR
13	800287	7	DECAL, GREASE PIVOTPOINTS

Depth Adjust Assembly & Parts List

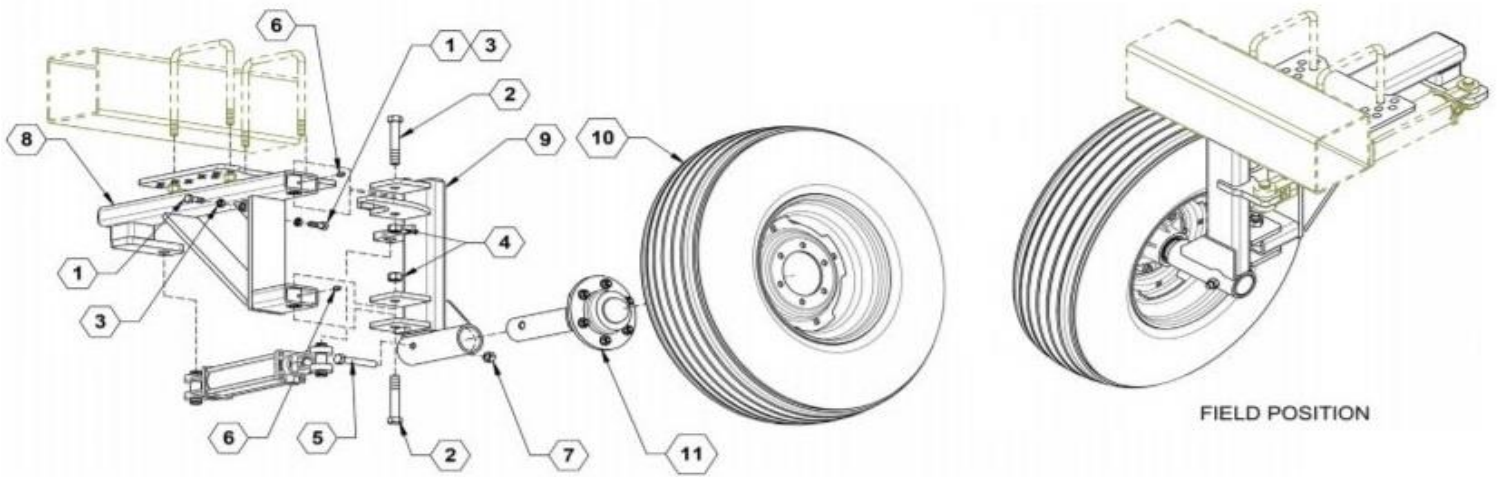


ITEM	PART NO.	QTY.	DESCRIPTION
1	759	1	ZERK, 1/4-28 STRAIGHT
2	28087	1	PLUNGER
3	28088	1	BUMP ADJUST
4	28095	4	POLY, DEPTH ADJUST SLIDE
5	28135	1	COMPRESSION SPRING
6	590299	2	SPRING PIN 1/4 X 1-1/2, ZINC
7	596259M	1	WASHER, FLAT 3/4 MAGNI
8	596629M	8	FHSCS 1/4-20 X 3/4 MAGNI
9	596767M	8	NUT, HEX FLANGE 1/4-20 MAGNI

LH Wing Wheel Assembly Model year 2020-Current



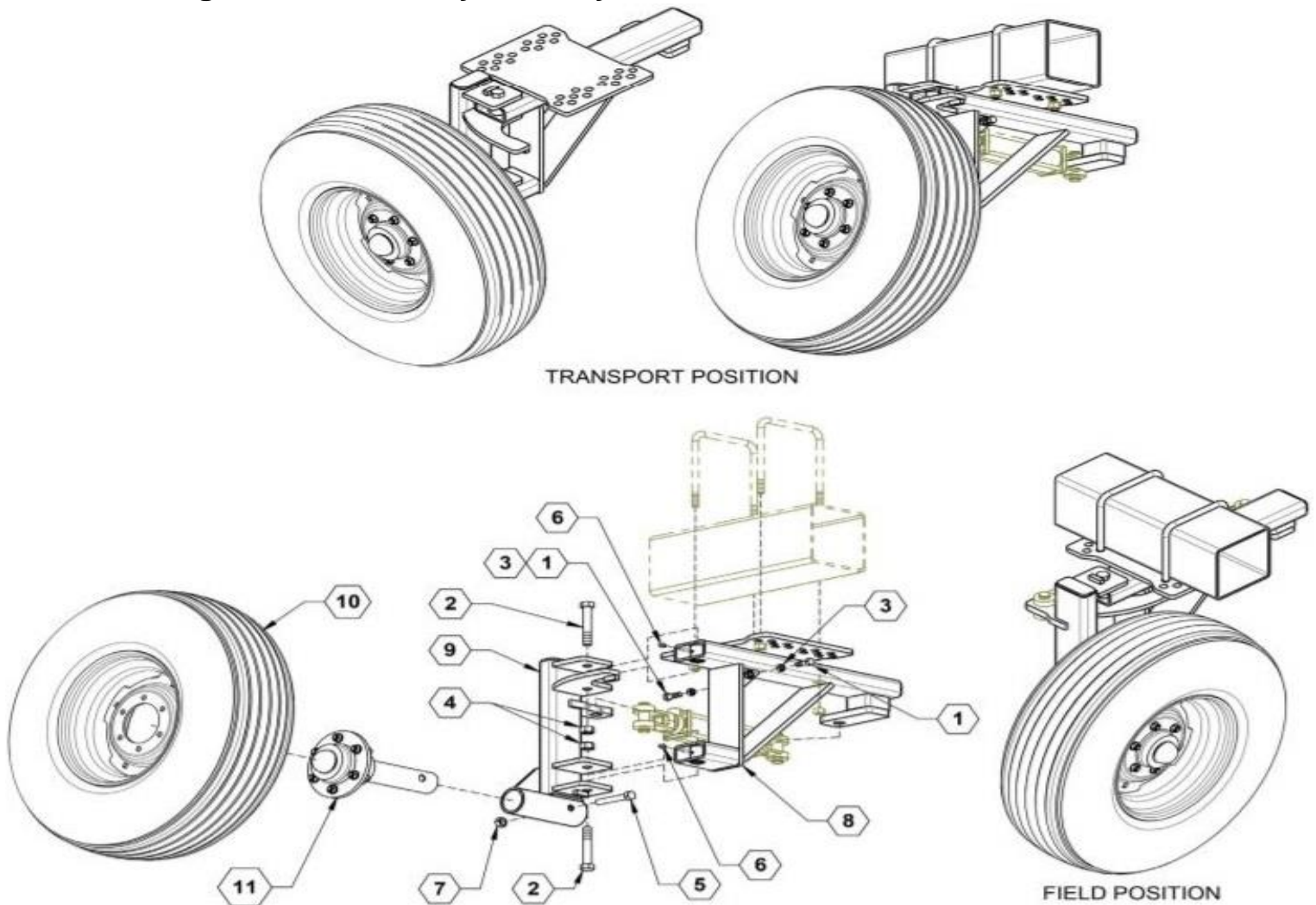
TRANSPORT POSITION



FIELD POSITION

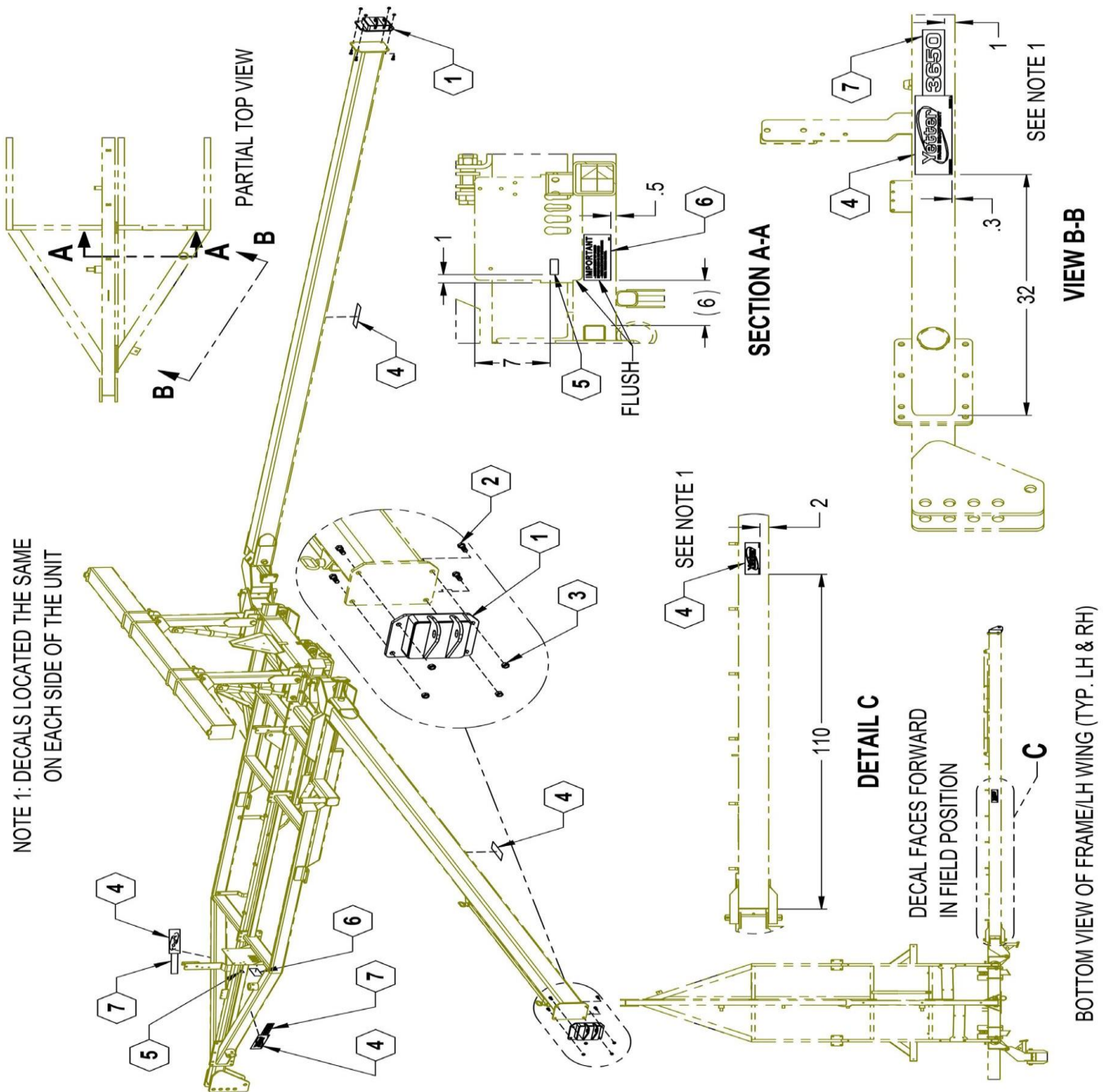
ITEM	PART NO.	QTY.	DESCRIPTION
1	596332M	2	CAP SCREW 5/8-11 X 2.25 GRADE 8
2	189	2	CAP SCREW 3/4-10 X 4.5 GRADE 5
3	224	2	NUT, HEX JAM 5/8-11 GRADE 5
4	233	2	NUT, HEX NYLOCK 3/4-10ZINC
5	373	1	CAP SCREW 5/8-11 X 4 GRADE 8
6	760	2	ZERK, GREASE 1/4 - 28 45°
7	817	1	NUT, CENTERLOCK, 5/8-11, GRADE 8
8	28034	1	WELDMNT, LH REAR TIRE MOUNT
9*	28192*	1	WELDMENT, LH REAR TIRE PIVOT MODEL YEAR 2020-CURRENT
	28036*	1	WELDMENT, LH REAR TIRE PIVOT MODEL YEAR 2019
10	700210	1	WHEEL, TITAN 11L 15 SL, 6 BOLT RIM
11*	730113*	1	HUB ASSY, N890 MODEL YEAR 2020-CURRENT 2.4375" SPNDLE
	730106*	1	HUB ASSEMBLY (N709) MODEL YEAR 2019 1.75" SPINDLE

RH Wing Wheel Assembly Model year 2020-Current



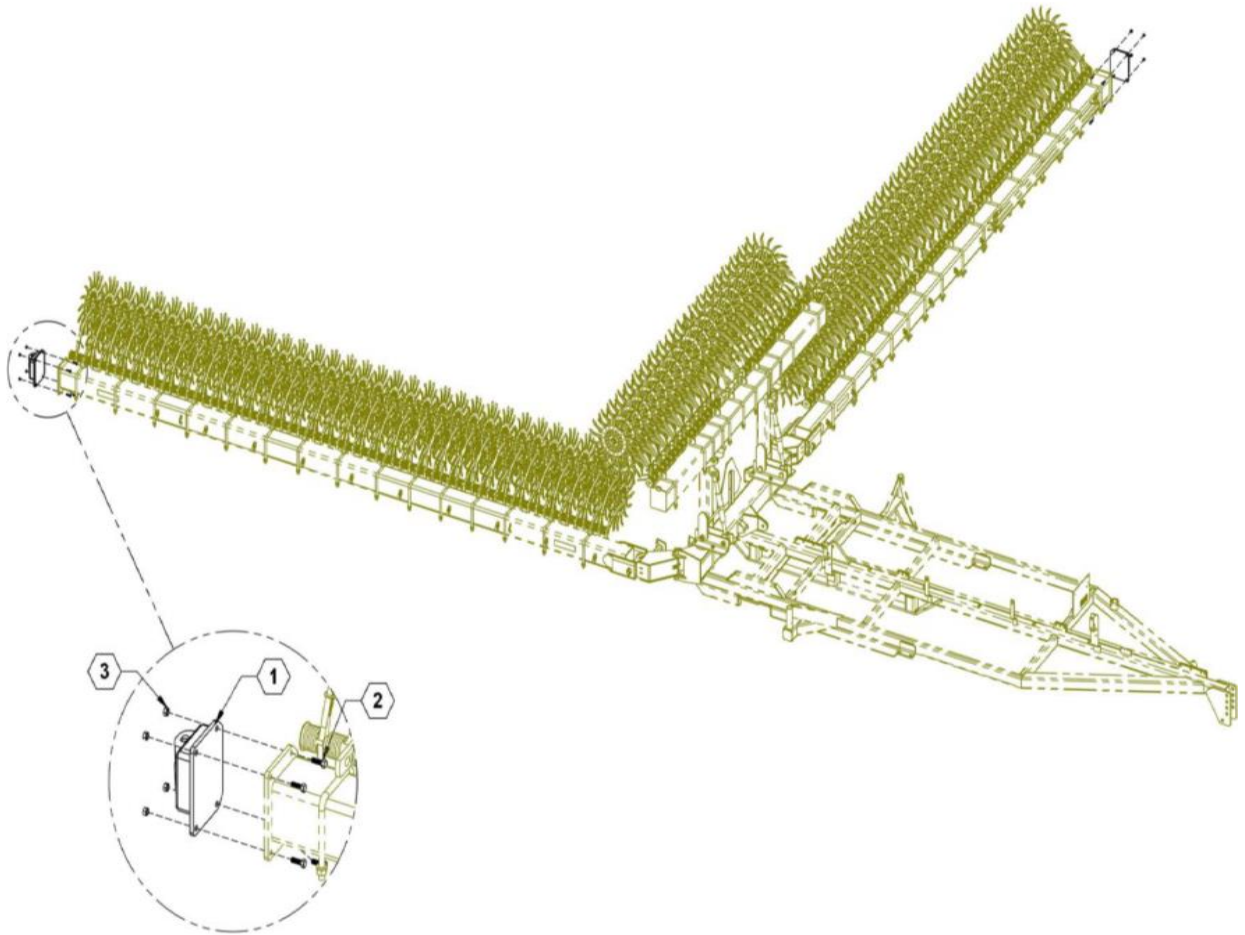
ITEM	PART NO.	QTY.	DESCRIPTION
1	596332M	2	CAP SCREW 5/8-11 X 2.25 GRADE 8
2	189	2	CAP SCREW 3/4-10X 4.5 GRADE 5
3	224	2	NUT, HEX JAM 5/8-11 GRADE 5
4	233	2	NUT, HEX NYLOCK 3/4-10
5	373	1	CAP SCREW 5/8- 11 X 4 GRADE 8
6	760	2	ZERK, GREASE ¼ - 28 45°
7	817	1	NUT, CENTERLOCK, 5/8-11, GRADE 8
8	28018	1	WELDMENT, RH REAR TIRE MOUNT
9*	28193*	1	WELDMENT, RH REAR TIRE PIVOT MODEL YEAR 2020-CURRENT
	28037*	1	WELDMENT, RH REAR TIRE PIVOT MODEL YEAR 2019
10	700210	1	WHEEL, TITAN 11L 15 SL, 6 BOLT RIM
11*	730113*	1	HUB ASSY, N890 MODEL YEAR 2020-CURRENT 2.4375" spindle
	730106*	1	HUB ASSY, (N709) MODEL YEAR 2019 1.75" SPINDLE

50' Toolbar



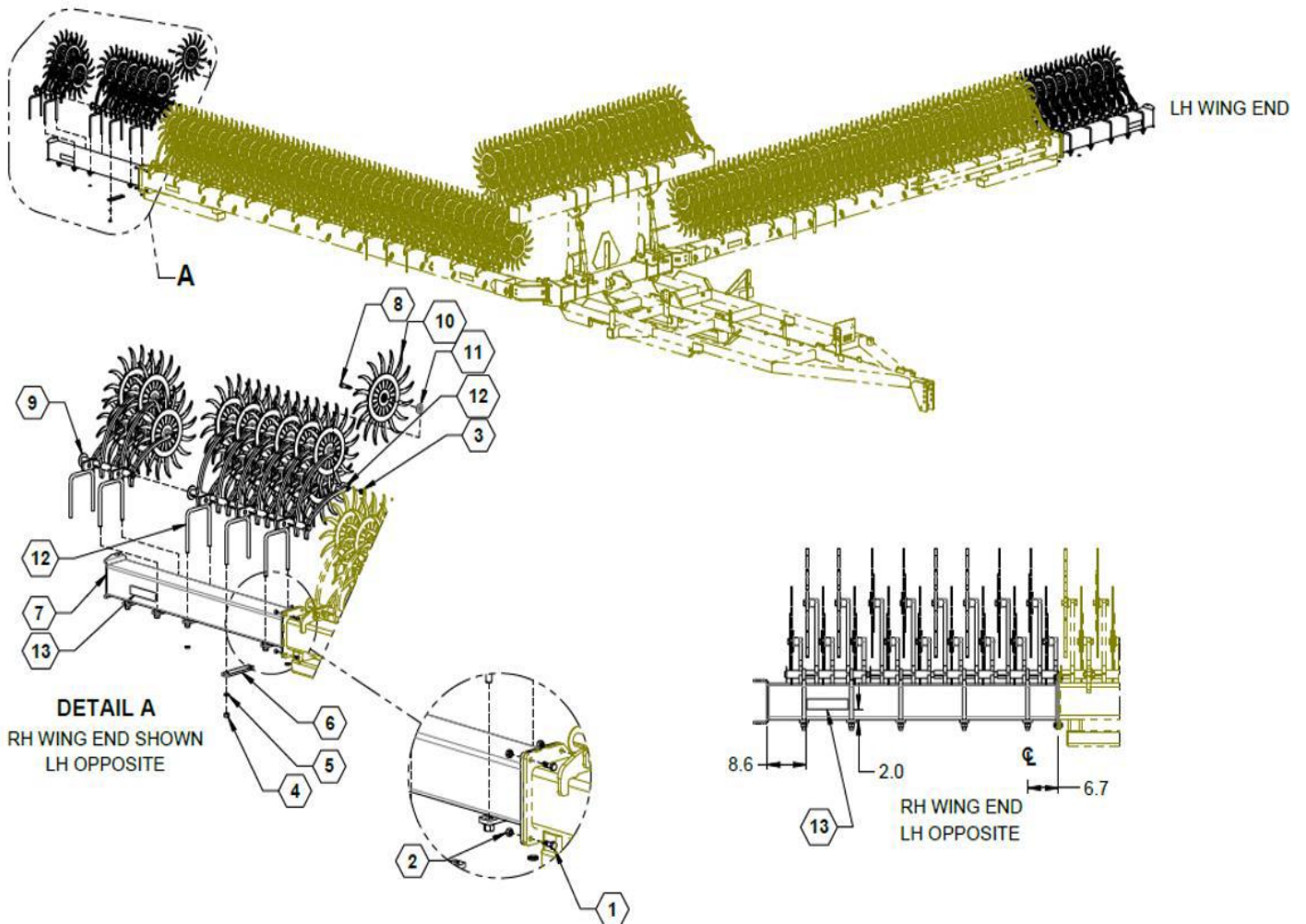
ITEM	PART NO.	QTY.	DESCRIPTION
1	28022	2	CROSS TUBE MOUNT
2	2502-294	8	1/2-13X1.5 CAP SCREW GRADE 5
3	2520-362	8	1/2-13 LOCK HEX NUT GRADE 8
4	800263	4	DECAL, YETTER BRAND
5	800264	1	DECAL, YETTER SERIAL
6	800266	1	DECAL, YETTER FOLDING BACKING
7	800267	2	DECAL, YETTER MODEL 3650

50' Toolbar



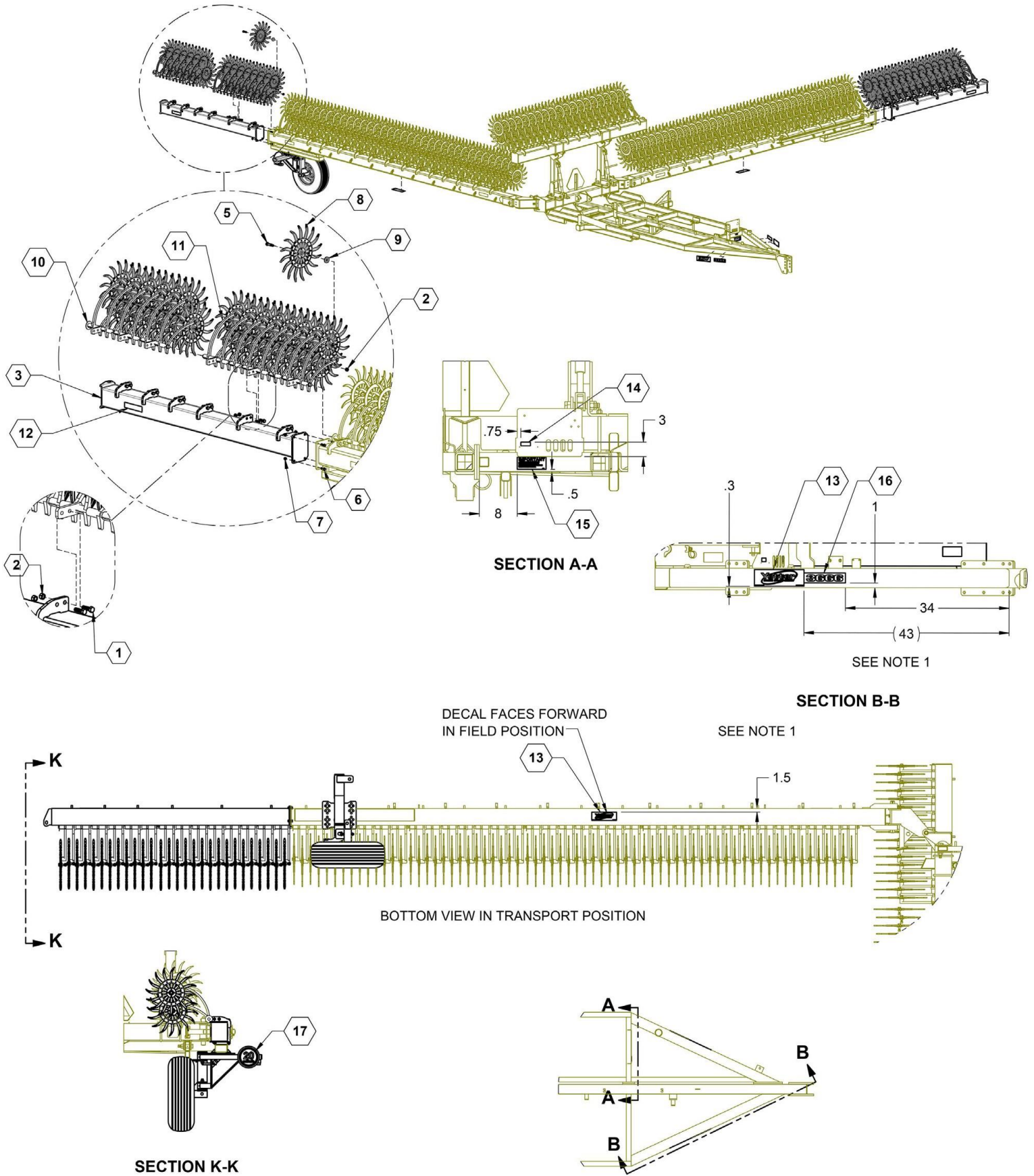
ITEM	PART NO.	QTY.	DESCRIPTION
1	28022	2	CROSS TUBE MOUNT
2	2502-294	8	½-13 X 1.5 CAP SCREW GRADE 5
3	2520-362	8	½-13 LOCK HEX NUT GRADE 8

60' Toolbar



ITEM	PART NO.	QTY.	DESCRIPTION
1	2502-294	8	½-13 X 1.5 CAP SCREW GRADE 5
2	2520-362	8	½-13 LOCK HEX NUT GRADE 8
3	2520-459	A/R	5/8-11 LOCK HEX NUT GRADE 5
4	2520-518	A/R	¾-10 LOCK HEX NUT GRADE 8
5	2525-501	A/R	¾ LOCK WASHER
6	3400-323	A/R	CONNECTING PLATE
7	28028	2	WING EXTENSION
8	2502-323	A/R	5/8-11 X 2.75" CAP SCREW GRADE 5
9	3500-137	2	5 WHEEL SECTION ASSEMBLY
10	3500-111A	A/R	WHEEL ASSEMBLY
11	3400-408	A/R	SHIELD
12	3500-103	2	12 WHEEL SECTION ASSEMBLY
13	800110	2	DECAL, AMBER REFLECTOR

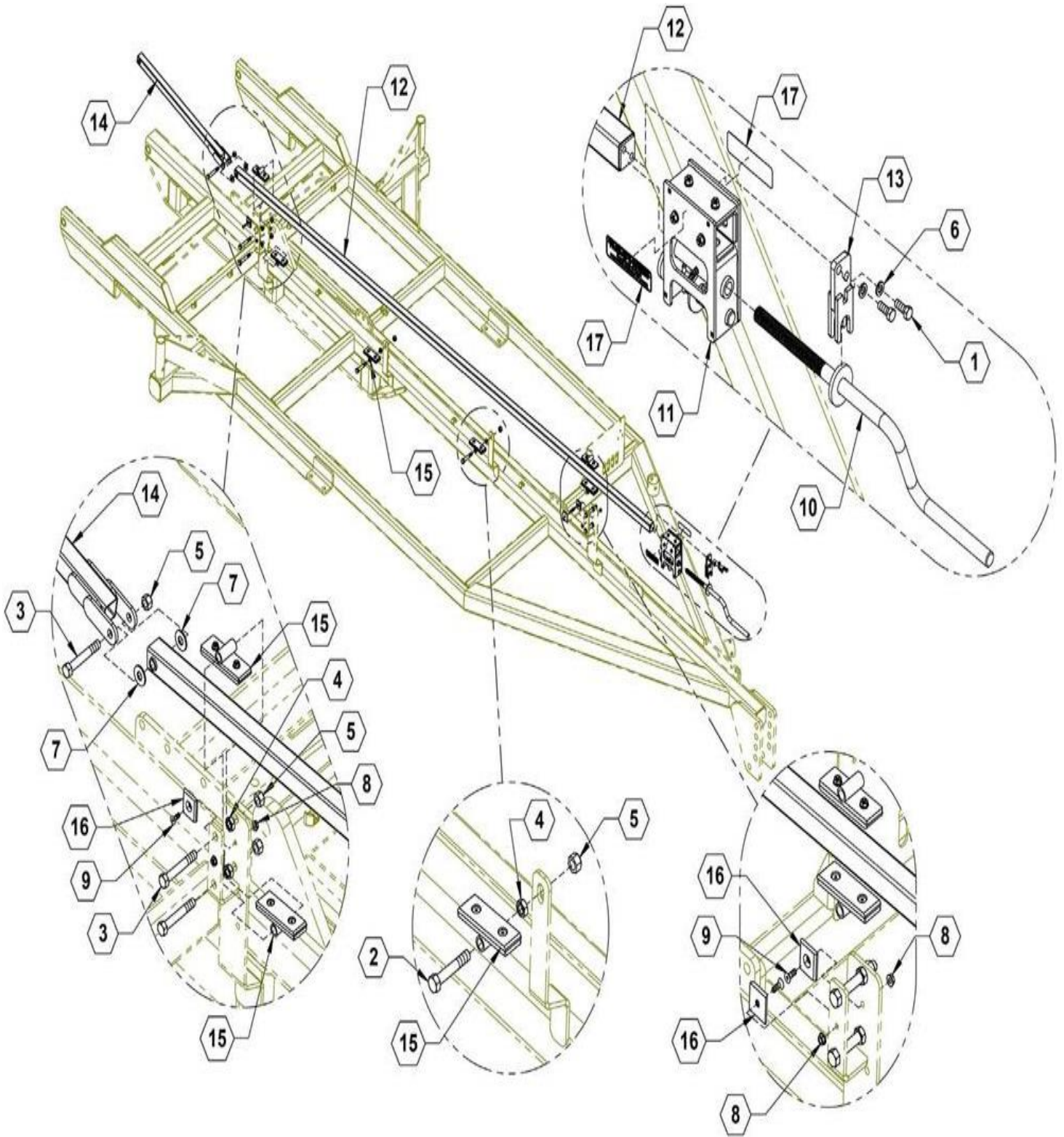
66' Toolbar



66' Toolbar Parts List

ITEM	PART NO.	QTY.	DESCRIPTION
1	2502-391	24	5/8 – 11 X 2 CAP SCREW GRADE 5
2	2520-459	80	5/8 – 11 LOCK HEX NUT GRADE 5
3	28279	1	WELDMENT, RH 66FT WING EXTENSION
4	28297	1	WELDMENT, LH 66FT WING EXTENSION
5	2502-323	A/R	5/8-11X2.75 CAP SCREW GRADE 5
6	2502-294	8	1/2-13X1.5 CAP SCREW GRADE 5
7	2520-362	8	1/2-13 LOCK HEX NUT GRADE 8
8	3400-111A	A/R	WHEEL ASSEMBLY
9	3400-408	A/R	SHIELD
10	3500-103	2	12 WHEEL SECTION ASSEMBLY
11	3500-105	2	16 WHEEL SECTION ASSEMBLY
12	800110	2	DECAL, YETTER AMBER DEFLECTOR
13	800263	4	DECAL, YETTER BRAND
14	800264	1	DECAL, YETTER SERIAL
15	800266	1	DECAL, YETTER FOLDING BACKING
16	800268	2	DECAL, YETTER MODEL 3660
17	800306	1	DECAL, SIS, 20MPH

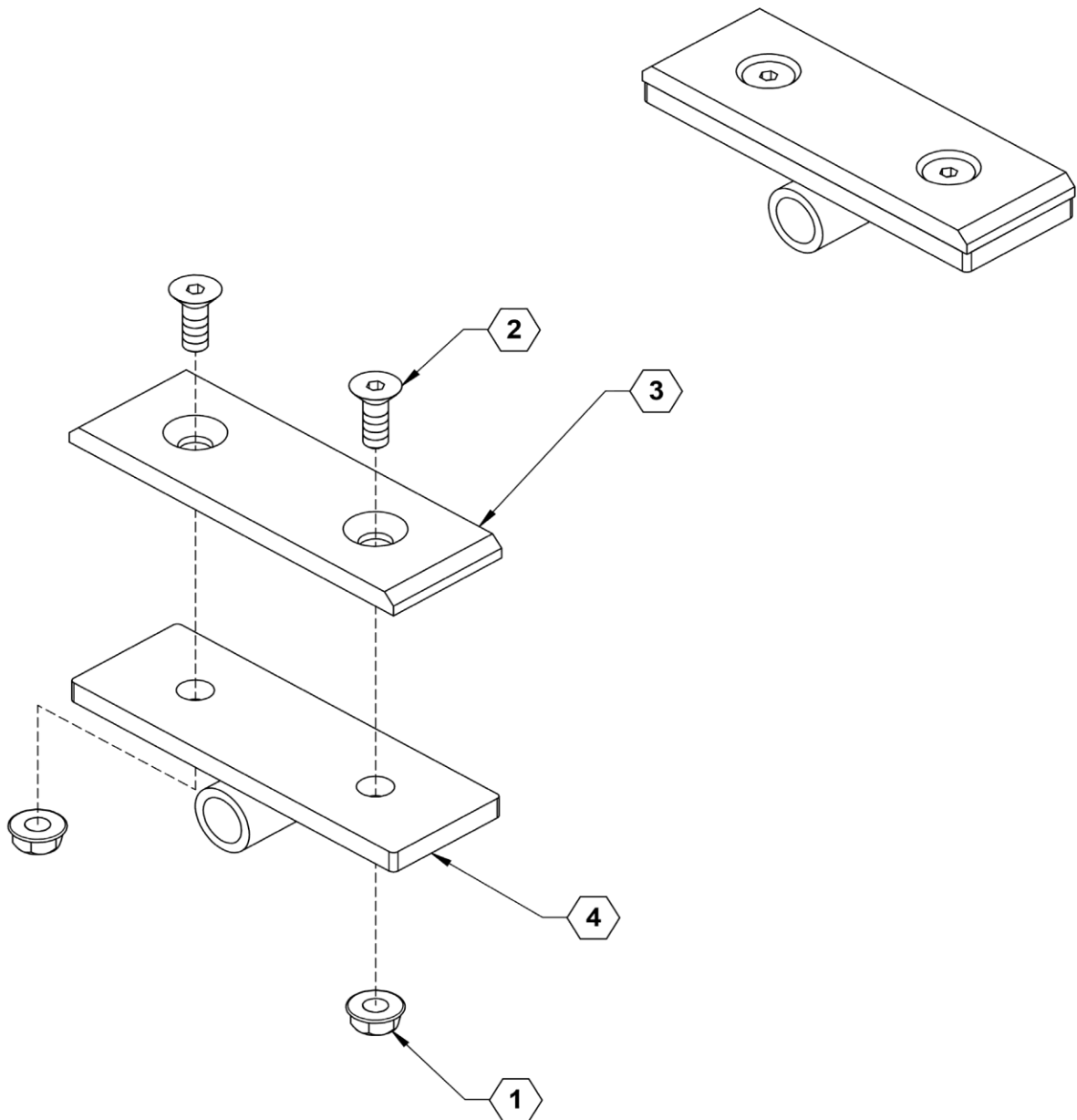
Row Depth Adjust Assembly



Depth Adjust Assembly Parts List

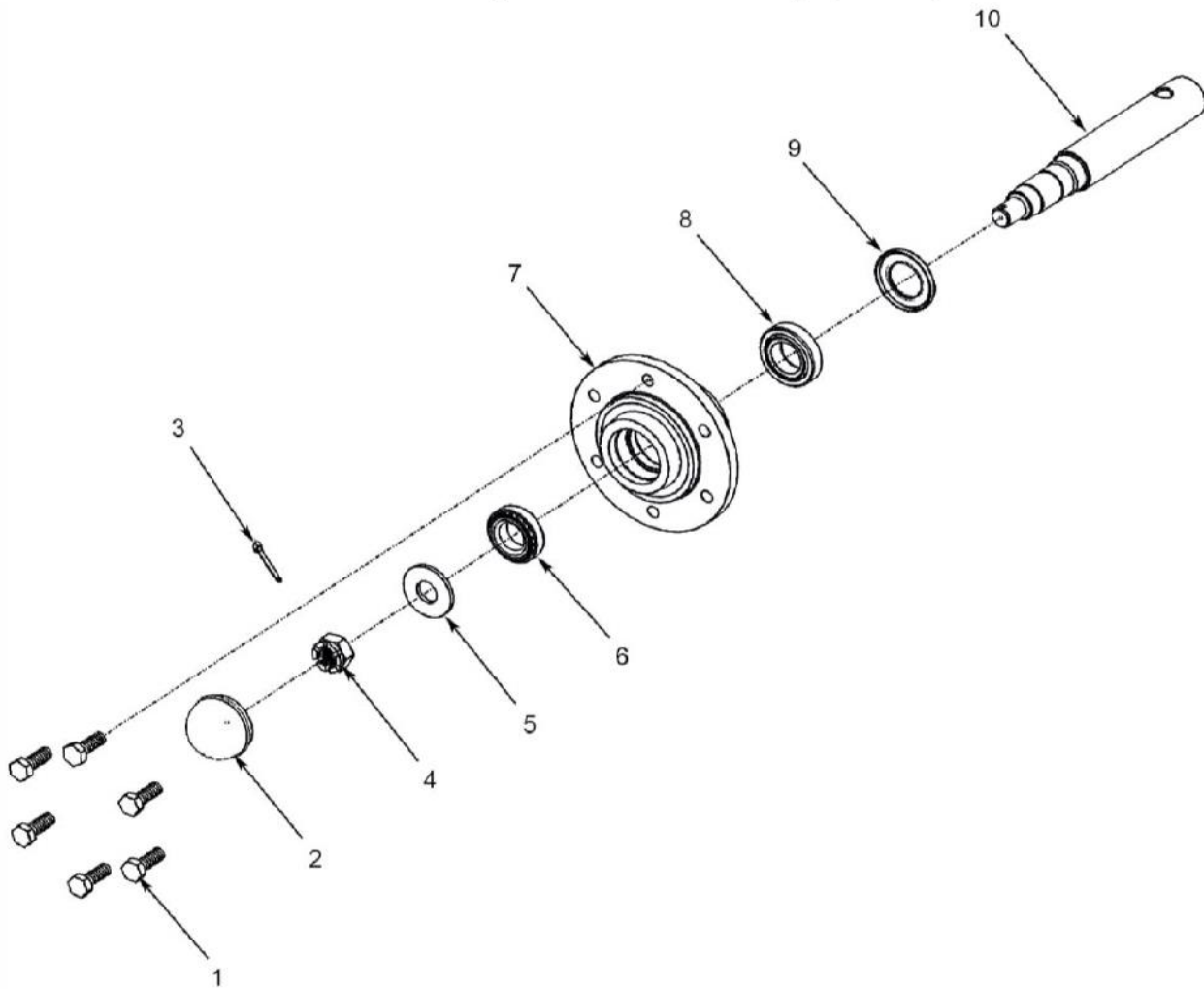
ITEM	PART NO.	QTY.	DESCRIPTION
1	128	2	BOLT, HH 3/8-16 X 1 GR5 ZIN
2	156	2	BOLT, HH 1/2-13 X 3 GR5 ZIN
3	157	5	BOLT, HH 1/2-13 X 3-1/2 GR5 ZIN
4	223	6	NUT, HEX JAM 1/2-13 GR5 ZIN
5	231	7	NUT, HEX NYLOCK 1/2-13 ZIN
6	250	2	LOCKWASHER, 3/8ZINC
7	260	2	WASHER, FLAT, 1/2 ZINC
8	767	4	NUT, FLANGE, 1/4-20 GR5ZINC
9	800	4	FHSCS, 1/4-20 X 3/4ZINC
10	28080	1	WLDMNT, ADJUST HANDLE
11	28089	1	ASSY, BUMP ADJUST
12	28091	1	WLDMNT, DEPTH TUBE
13	28096	1	WLDMNT, BASE ANCHOR
14	28100	1	WLDMNT, DEPTH FRONT TUBE
15	28102	6	ASSY, SLIDE PIVOT
16	28134	4	PAD, SIDE BRACE
17	800262	2	DECAL, DEPTH ADJUSTMENT

Slide Pivot Assembly & Parts List



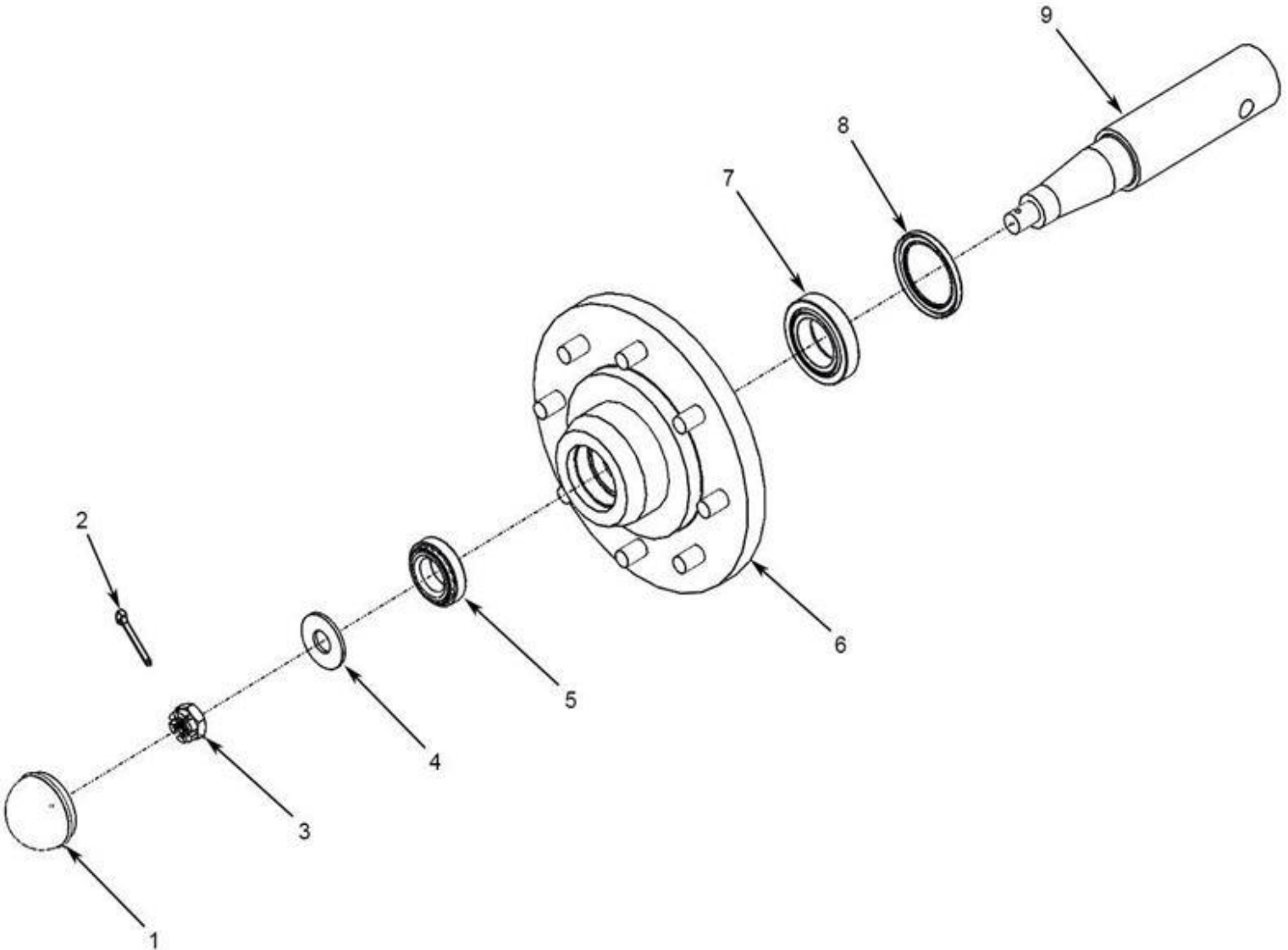
ITEM	PART NO.	QTY.	DESCRIPTION
1	767	2	NUT, FLANGE, 1/4-20 GR5ZINC
2	800	2	FHSCS, 1/4-20 X 3/4 ZINC
3	28095	1	POLY, DEPTH ADJUSTSLIDE
4	28103	1	WLDMNT, SLIDE PIVOT

Hub and Spindle Assembly & Parts List (N709) 730106



ITEM	VENDOR PART NO.	PART NO.	QTY.	DESCRIPTION
		730106	1	COMPLETE HUB AND SPINDLE ASSEMBLY (N709)
1	943549		6	BOLT
2	909905		1	CAP
3	N/A	N/A	1	COTTER PIN
4	912952		1	NUT
5	913683		1	WASHER
6	2550-029/2550-027		1	OUTER CUP AND CONE BEARING
7*	730106		1	HUB ASSEMBLY (N709)
8	LM48510		1	INNER CUP AND CONE BEARING
9	906283		1	SEAL
10*	730106		1	SPINDLE INCLUDED WITH 730106 HUB ASSEMBLY

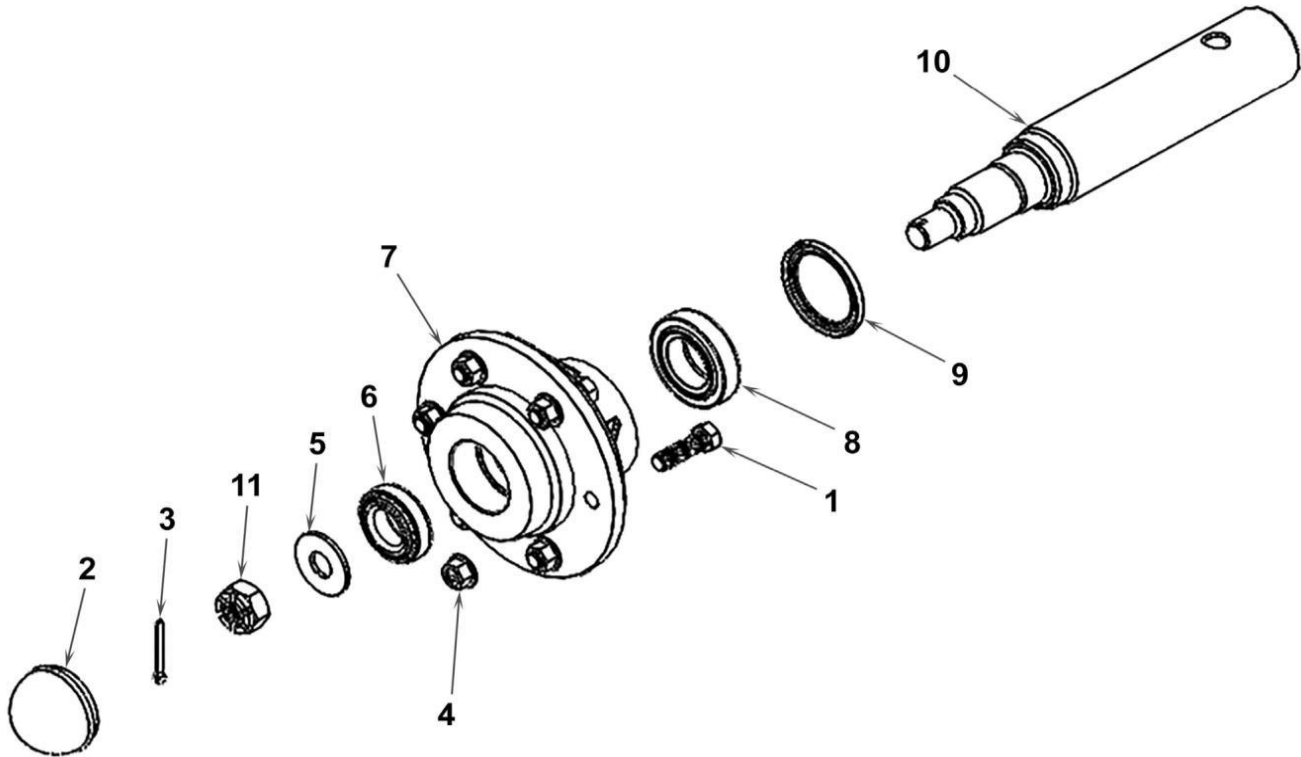
Hub and Spindle Assembly & Parts List (N45-8) 730008



ITEM	VENDOR PART NO.	PART NO.	QTY.	DESCRIPTION
0		730008	1	COMPLETE HUB AND SPINDLE ASSEMBLY (N45-8)
1	909905		1	CAP
2	N/A	N/A	1	COTTER PIN
3	912953		1	NUT
4	913616		1	WASHER
5	2550-029/2550-027		1	OUTER CUP AND CONE BEARING
6	730008		1	HUB
7	LM603049		1	INNER CUP AND CONE BEARING
8	906297		1	SEAL
9	07-08400		1	SPINDLE

ILLUSTRATED PARTS LIST

Hub and Spindle Assembly & Parts List (N890) 730113

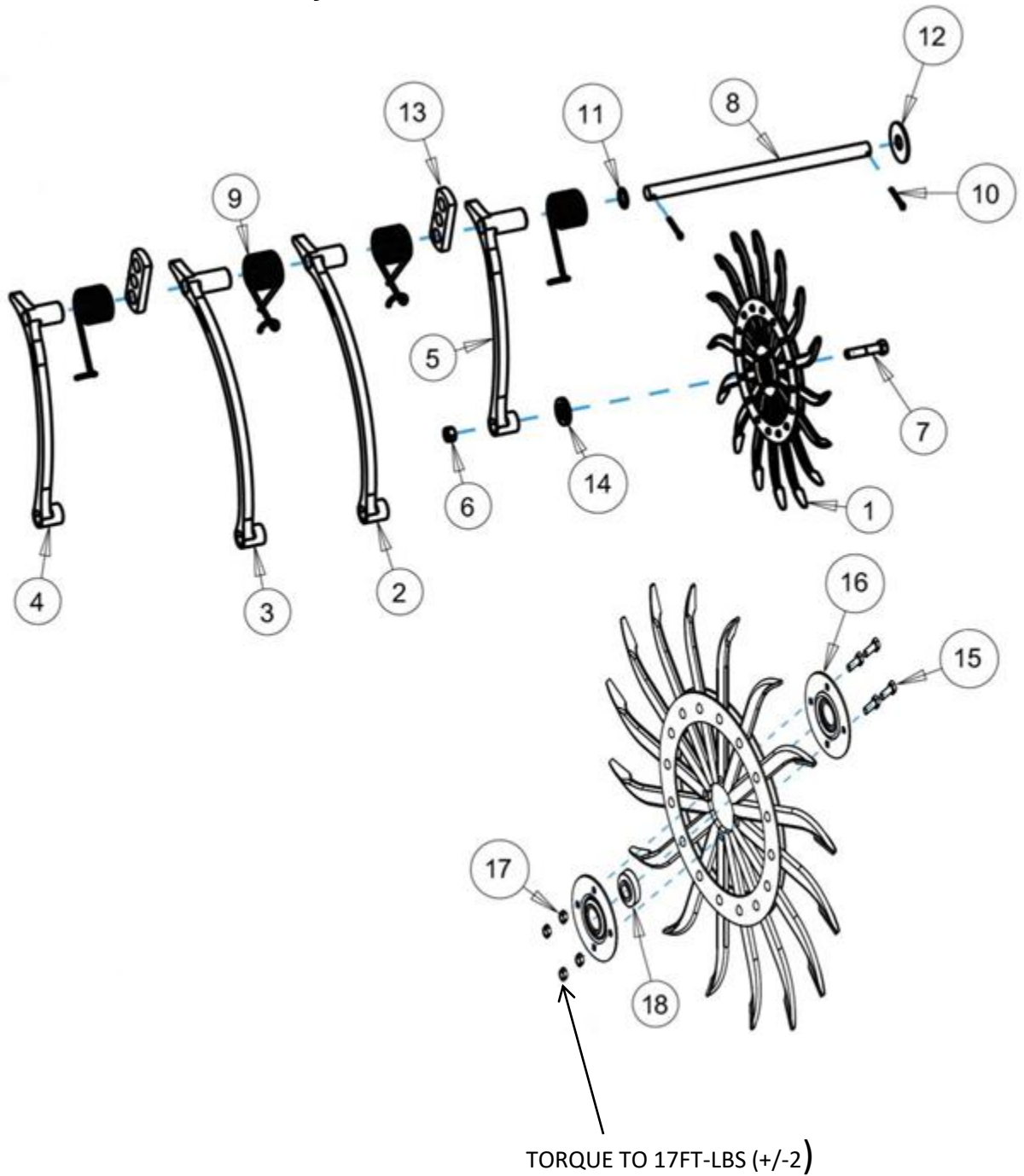


Rotary Hoe Wheel Axle Assembly

ITEM	VENDOR PART NO.	PART NO.	QTY	DESCRIPTION
0		730113	1	COMPLETE HUB AND SPINDLE ASSEMBLY (N890)
1	913574		6	STUD
2	909905		1	CAP
3	905936		1	COTTER PIN
4	912927		6	NUT
5	913616		1	WASHER
6	LM67048		1	OUTER CUP AND CONE BEARING
7*	730113		1	HUB N890 * INCLUDED WITH 730113
8	LM501349		1	INNER CUP AND CONE BEARING
9	906985		1	SEAL
10*	730114		1	SPINDLE * INCLUDED WITH 730113
11	912952		1	NUT

ILLUSTRATED PARTS LIST

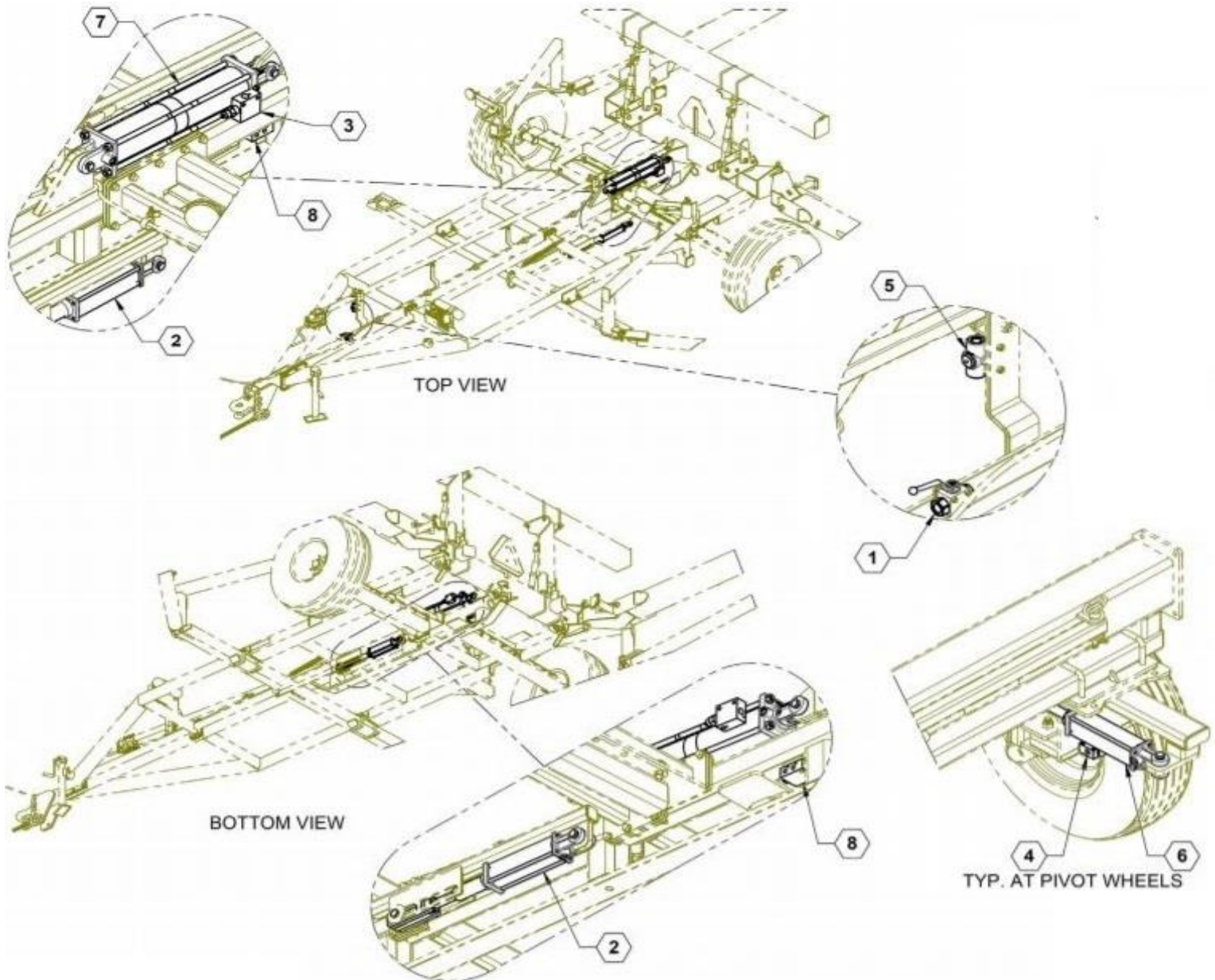
Rotary Hoe Wheel Axle Assembly



Rotary Hoe Wheel Axle Assembly

ITEM	PART NO.	QTY	DESCRIPTION
1*	3400-111	A/R	WHEEL ASSEMBLY
2	2555-119	A/R	SHORT HUB – REAR ARM
3	2555-117	A/R	LONG HUB – FRONT ARM
4	2555-118	A/R	SHORT HUB – FRONT ARM
5	2555-116	A/R	LONG HUB – REAR ARM
6*	2520-459	A/R	5/8-11 LOCK NUT
7*	2502-323	A/R	5/8-11 X 2.75 CAP SCREW GRADE 5
8	3400-382	1	5 WHEEL AXLE 18.25"
8	3400-328	1	12 WHEEL AXLE 42"
8	3400-329	1	14 WHEEL AXLE 49"
8	3400-330	1	16 WHEEL AXLE 56"
8	3500-353	1	17 WHEEL AXLE 59.375"
9	2550-716	A/R	TORSION SPRING
10	2531-125	A/R	¼ X 1.75 COTTER KEY
11	2527-564	A/R	1" ID X 1.5" OD X 14 GAUGE WASHER
12	3400-383	A/R	3" OD X 1" ID X .125 THICK WASHER
13	3500-319	A/R	MOUNT TAB
13	3500-210	A/R	U-BOLT MOUNT WITH PIVOT
14*	3400-408	A/R	SHIELD
15	2502-203	4	5/16-18 X 7/8 CAP SCREW GRADE 5
16	3400-341	2	HUB
17	2520-205	4	5/16-18 LOCK HEX NUT
18	2550-016	1	BEARING
*	*	*	* NOT INCLUDED WITH SECTION ASSEMBLIES

Hydraulic Assembly & Parts List

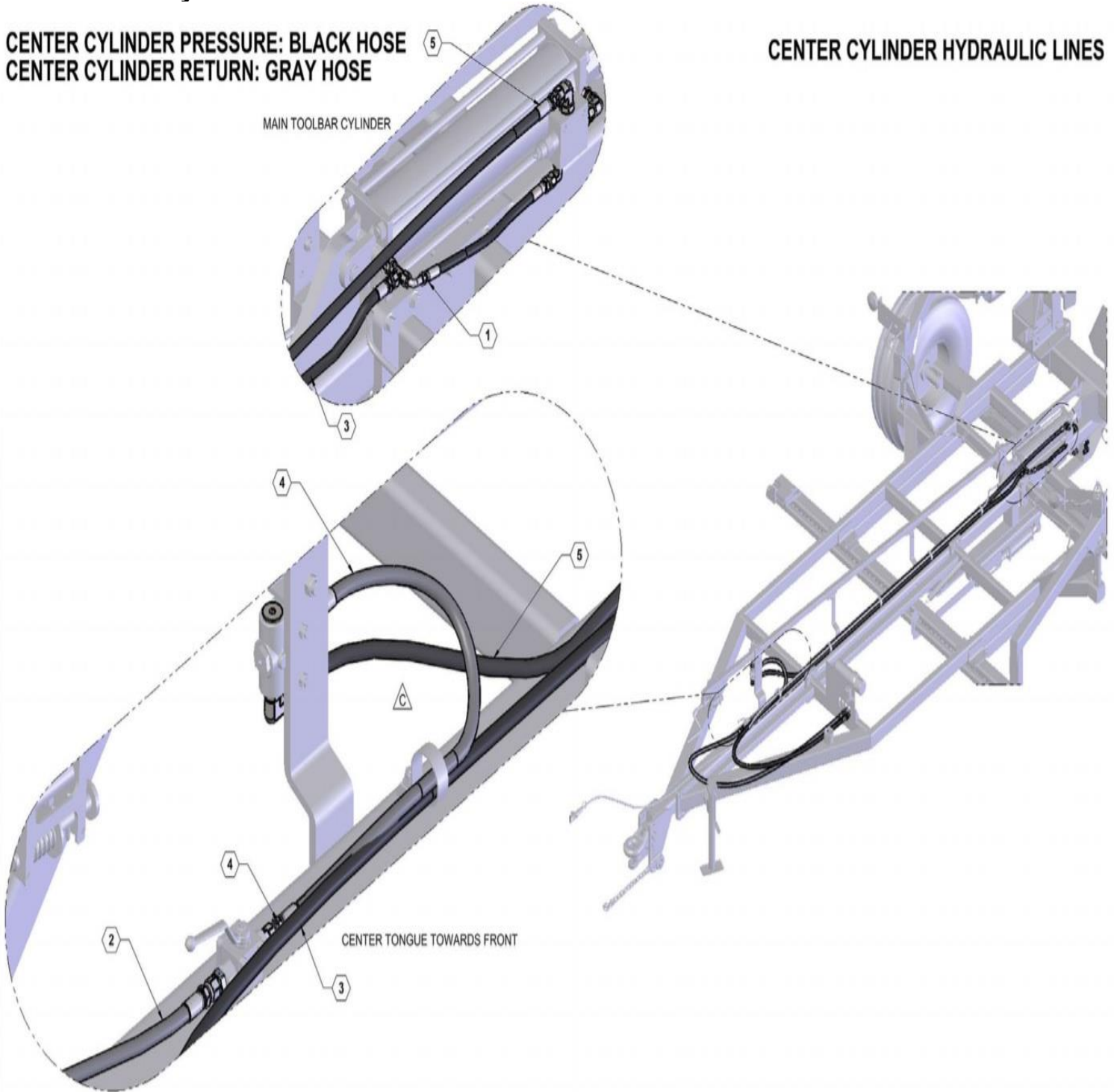


ITEM	PART NO.	QTY.	DESCRIPTION
1	34372	1	BLOCKING VALVE WITH MOUNTING HOLES
2	28072	1	ASSEMBLY, FIELD LATCH CYLINDER
2	28054	1	SLOTTED CYLINDER CLEVIS
3	500049	1	VALVE, COUNTERBALANCE
4	500059	2	CHECK VALVE, P.O. CHECK, SINGLE
5	610154	1	VALVE, PUSH BUTTON BLOCKING
6	620023	2	CYLINDER, 25TD08-112
7	620099	1	CYLINDER 4 X 20" 1.75" ROD 3000PSI
8	630035	1	FLOW DIVIDER

Center Cylinder Hoses & Parts List

CENTER CYLINDER PRESSURE: BLACK HOSE
 CENTER CYLINDER RETURN: GRAY HOSE

CENTER CYLINDER HYDRAULIC LINES

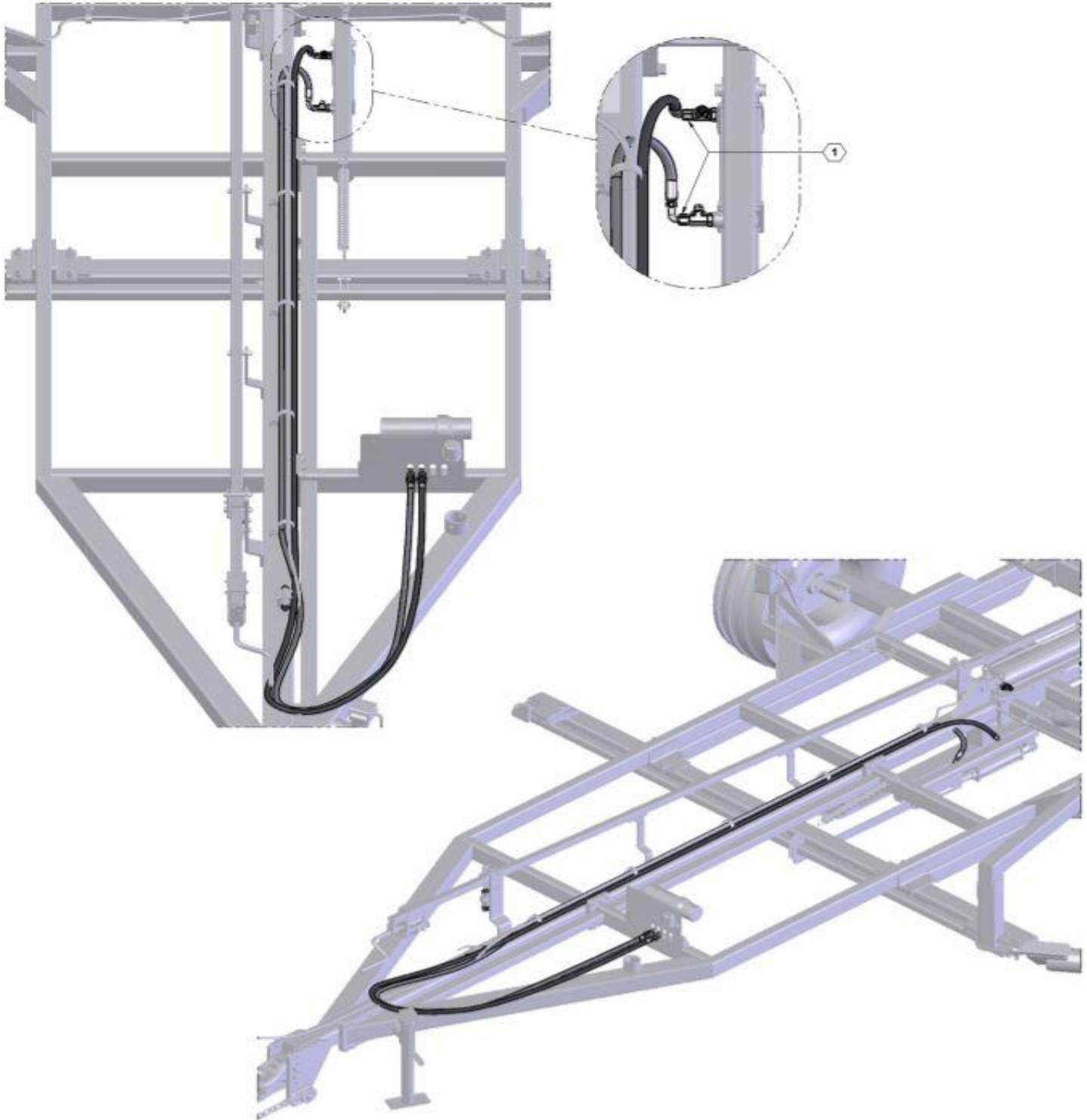


ITEM	PART NO.	QTY.	DESCRIPTION
1	600113-4	1	HOSE ASSY, 04-6FJX90-6FJX-20
2	600113-7	1	HOSE ASSY, 06-6FJX-8MOR-89
3	600113-12	1	HOSE ASSY, 06-6FJX-8MOR-222.5
4	600113-13	1	HOSE ASSY, 06-6FJX-6FJX-32
5	600113-14	1	HOSE ASSY, 06-6FJX-8FJX-139.5

Field Latch Hoses & Parts List

FIELD LATCH PRESSURE: BLACK HOSE
 FIELD LATCH RETURN: GRAY HOSE

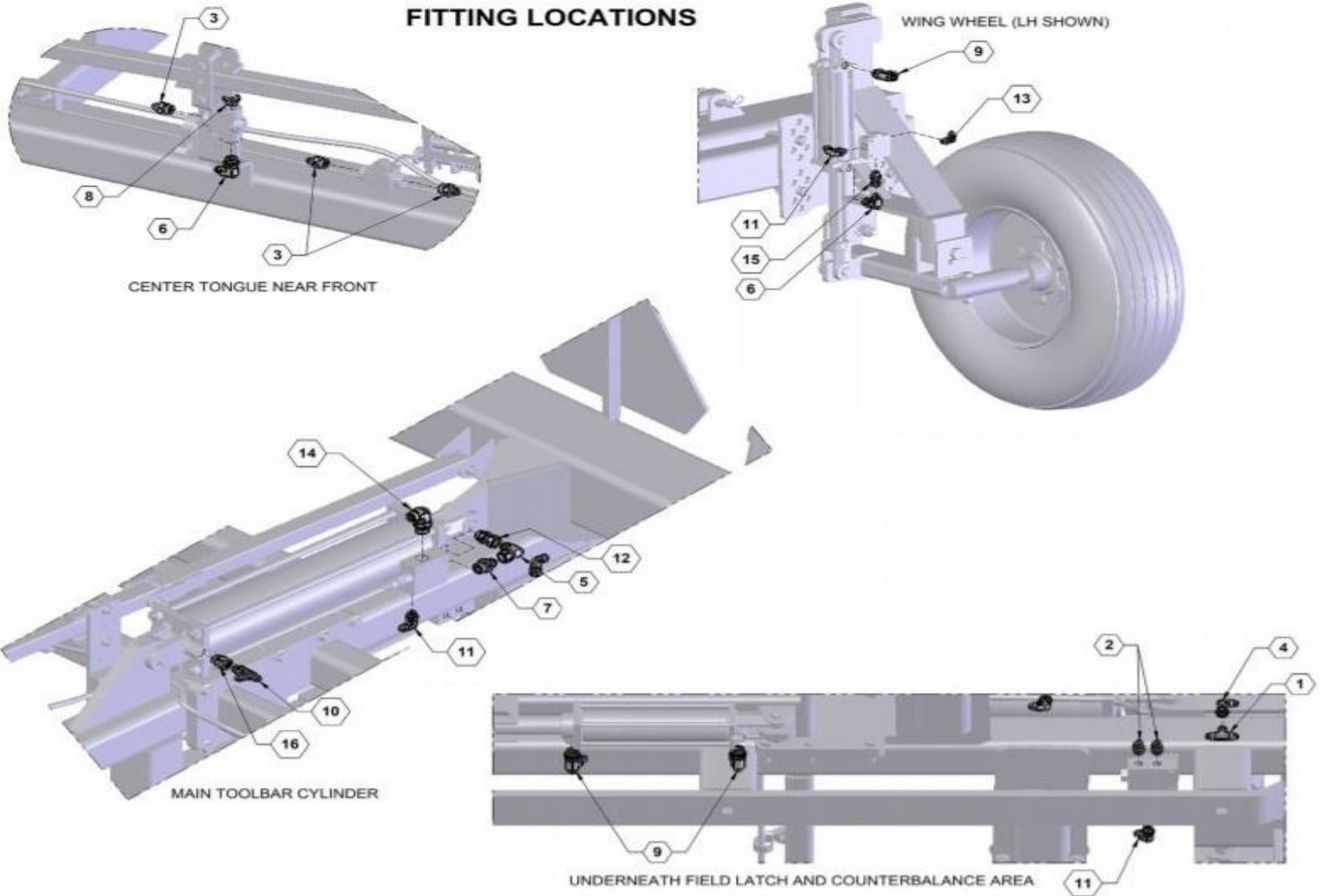
FIELD LATCH HYDRAULIC LINES



ITEM	PART NO.	QTY.	DESCRIPTION
1	600113-1	2	HOSE ASSY, 06-6FJX90-8MOR-220

Hydraulic Fitting Locations & Part List

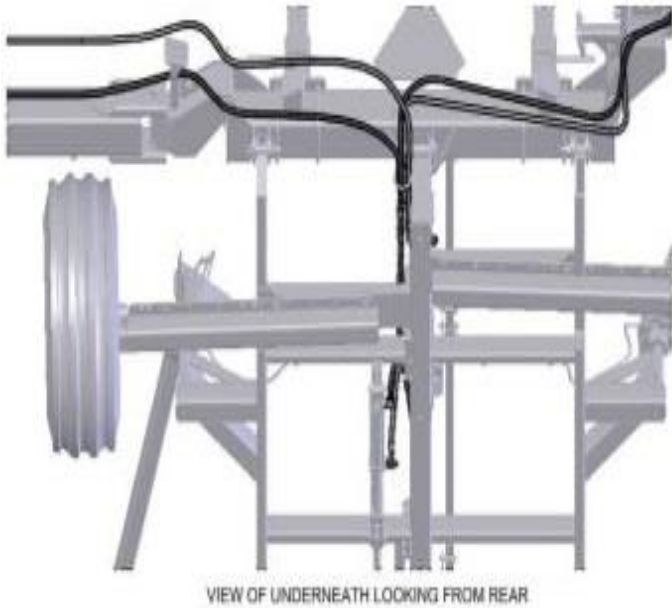
FITTING LOCATIONS



ITEM	PART NO.	QTY.	DESCRIPTION
1	610005	1	JIC UNION TEE #6
2	610010	2	JIC #6 TO ORING #6
3	610011	3	JIC #6 TO ORING #8
4	610023	1	JIC #6 90 DEG
5	610024	1	JIC #8 90 DEG
6	610030	3	JIC #6 TO ORING #8 90 DEG
7	610060	1	JIC #8 TO ORING #10
8	610062	1	#8 O-RING PLUG
9	610066	4	#8 ORING TO JIC #6 RUN TEE
10	610074	1	JIC TO ORING #6 RUN TEE
11	610078	4	JIC #6 TO #6 ORING 90~
12	610083	1	FITTING #8 ORB X #8 JICF
13	610084	2	ELBOW 90~ #4 JIC #4 O-RING
14	610086	1	JIC #8 TO O-RING #10 ELBOW 90°
15	610113	2	#6 O-RING TO #6 JICF SWIVEL
16	610159	1	#8 MORB x #6 FORB REDUCER

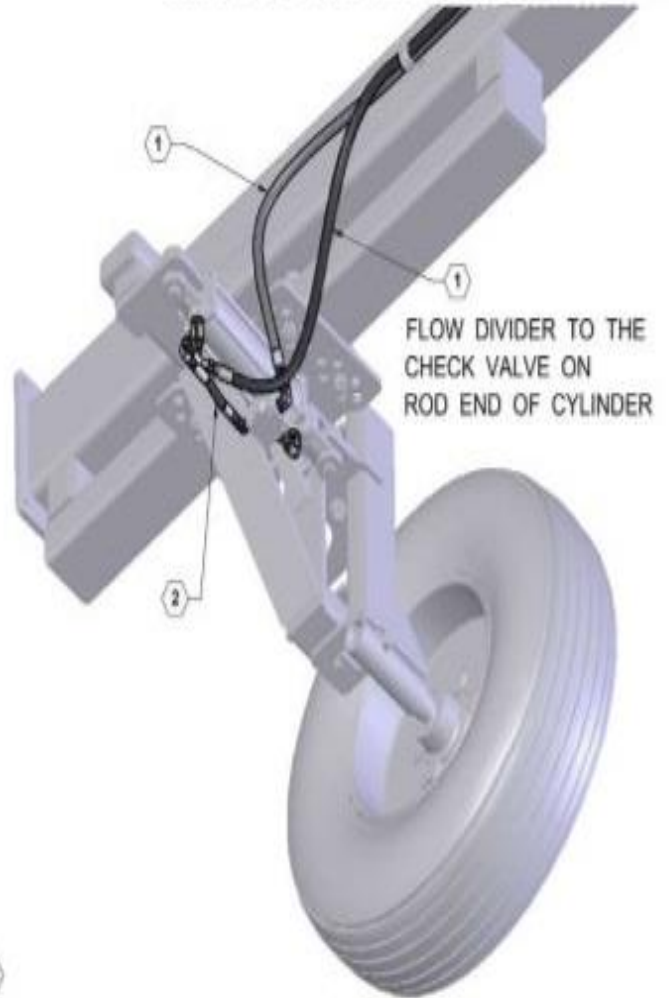
Wing Fold Hoses & Part List

WING FOLD PRESSURE: BLACK HOSE
WING FOLD RETURN: GRAY HOSE

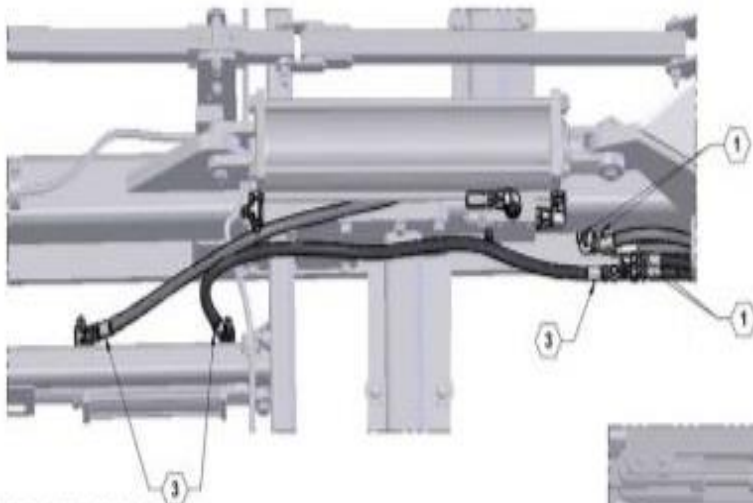


VIEW OF UNDERNEATH LOOKING FROM REAR

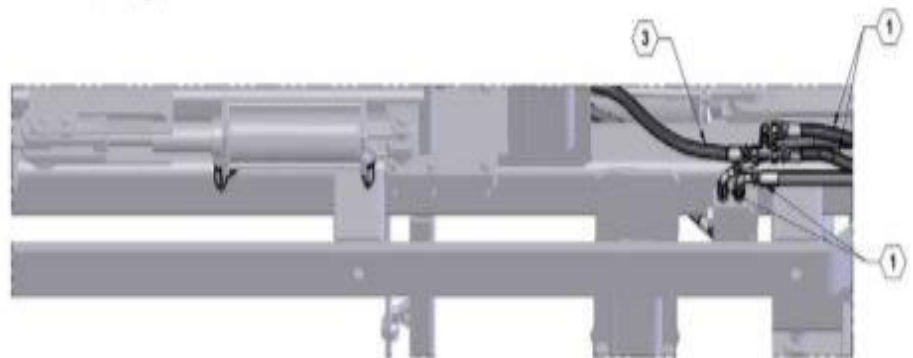
WING FOLD HYDRAULIC LINES



FLOW DIVIDER TO THE CHECK VALVE ON ROD END OF CYLINDER

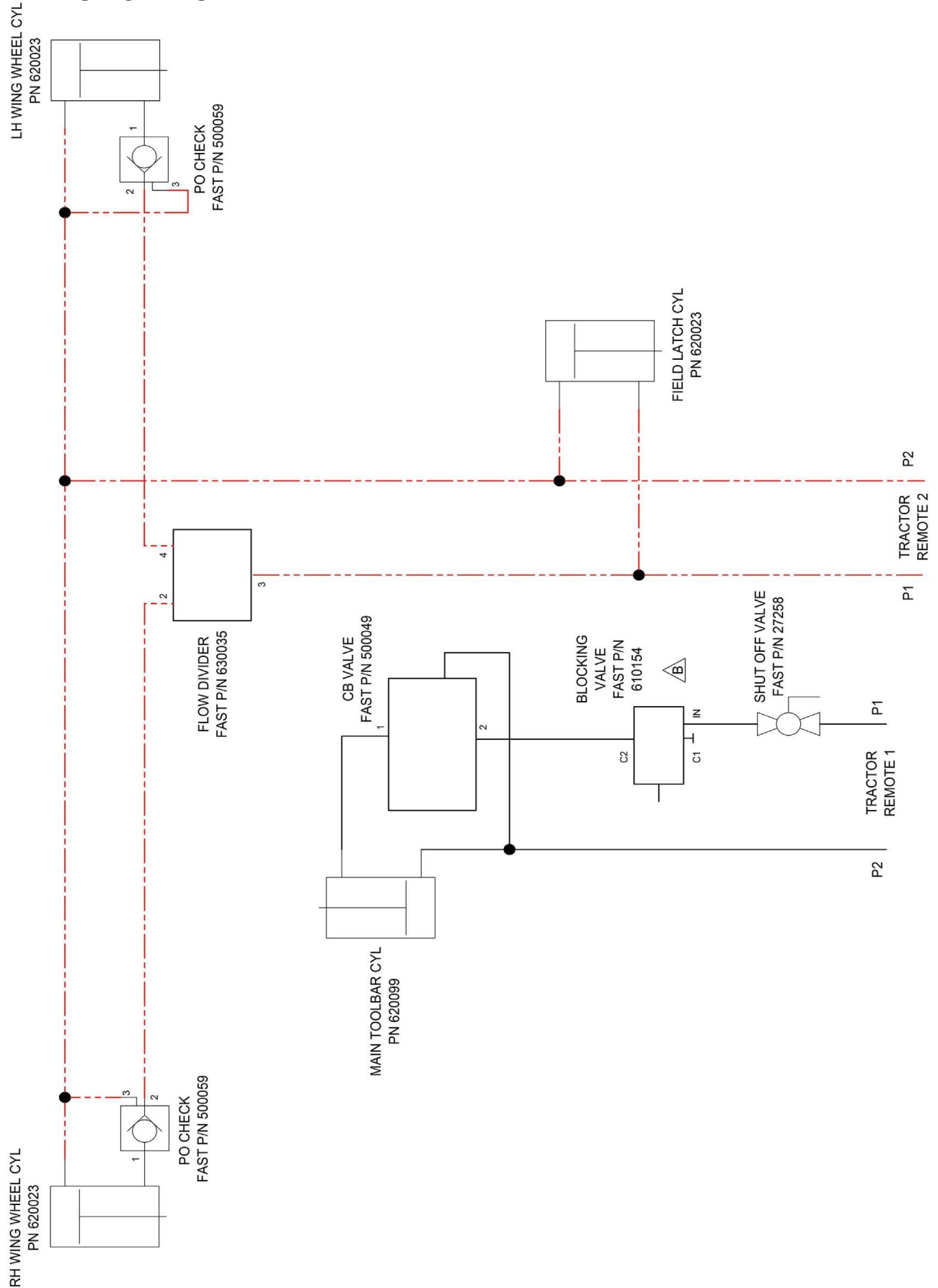


ROD END OF LATCH CYLINDER TO FLOW DIVIDER



ITEM	PART NO.	QTY.	DESCRIPTION
1	600113-5	4	HOSE ASSY, 06-6FJX90-6FJX-319
2	600113-6	2	HOSE ASSY, 04-6FJX90-4FJX-8
3	600113-8	2	HOSE ASSY, 06-6FJX-6FJX-47

HYDRAULIC DIAGRAM





A Tradition of Solutions since 1930

Yetter Farm Equipment Co

PO BOX 358 109 S. McDonough

Colchester, IL 62326-0358

Phone: 309-776-4111

Toll Free: 800-447-5777

Email: info@yetterco.com

For updated models and manuals visit the Yetter website:

www.yetterco.com

© Yetter Farm Equipment Co. All Rights Reserved

2565-974_REV_B • 02/2024