

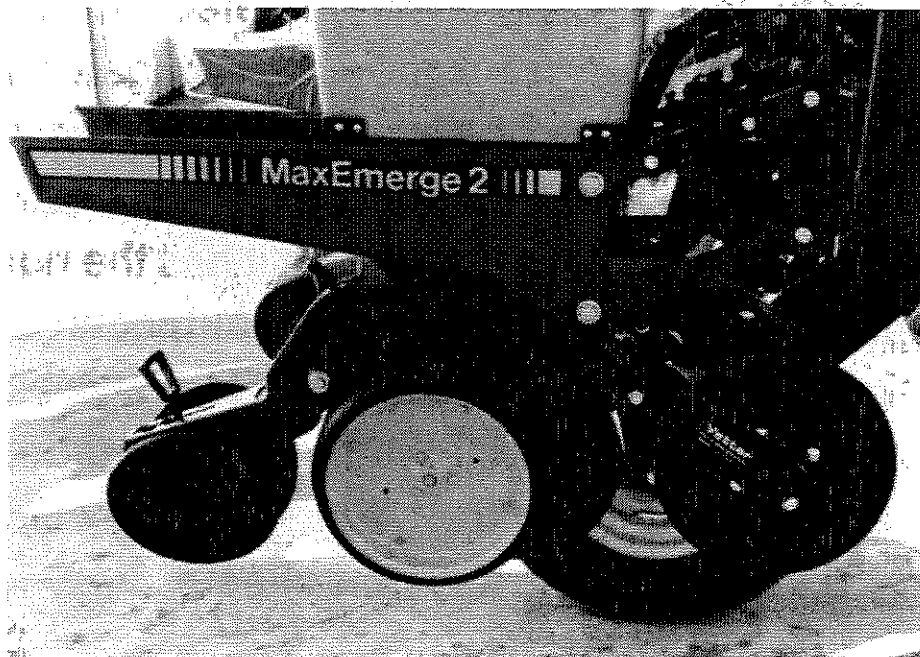
Yetter
... for land's sake

HEAVY DUTY COULTER

ATTACHMENTS FOR PLANTERS

DESIGNED TO FIT

YETTER • JOHN DEERE • MAX EMERGE 2® • KINZE PLANTERS



YETTER MANUFACTURING CO.

FOUNDED 1930

Colchester, IL 62326-0358 • 309/776-4111

Toll free 800/447-5777 (outside Illinois)

800/325-7165 (in Illinois)

309/776-3222 (Fax)

Yetter

WARRANTY POLICY

Yetter Manufacturing warrants all products manufactured and sold by it against defect in material. This warranty being expressly limited to replacement at the factory of such parts or products as shall appear to be defective after inspection. This warranty does not obligate the Company to bear cost of labor in replacement of parts. It is the policy of the Company to make improvements in its products and it has the right to make such improvements without incurring obligations to add them to any unit already sold. No warranty is made or authorized to be made, other than herein set forth. This warranty is in effect until one year after purchase.

**YETTER MODEL 2960
HEAVY DUTY COULTER FOR JOHN DEERE
(YETTER, JOHN DEERE, KINZE)**

This model Heavy Duty Coultter was designed to mount on Yetter, John Deere, and Kinze.

This Heavy Duty Coultter is available as a complete assembly in a box:
2960-100 Unit Coultter, Yetter, J.D., Kinze, 16" Bubble Flute
2960-100-W Unit Coultter, Yetter, J.D., Kinze, 14" Wavy

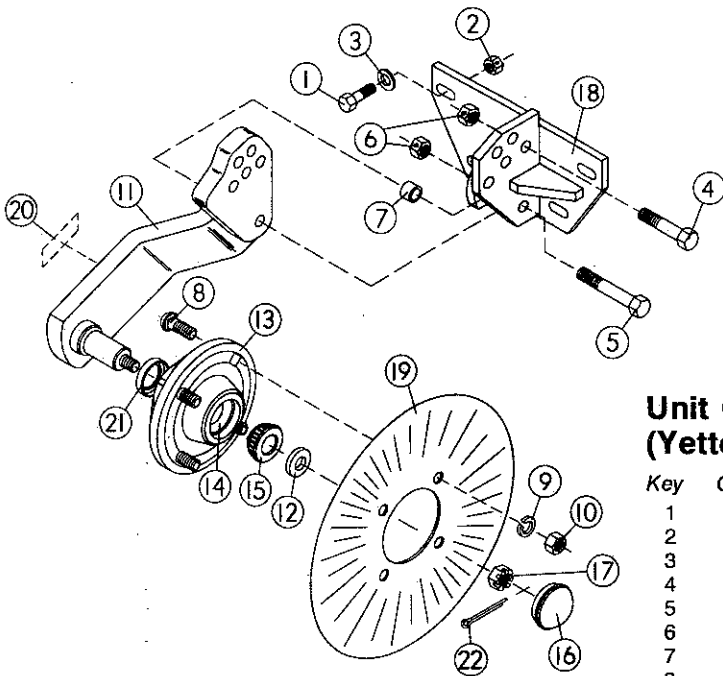
**YETTER MODEL 2960
HEAVY DUTY COULTER FOR JOHN DEERE
MAX EMERGE 2 PLANTERS**

This model Heavy Duty Coultter was designed to mount on John Deere Max Emerge 2 planter units.

This Heavy Duty Coultter is available as a complete assembly in a box:
2960-002 Unit Coultter, J.D. ME-2 16" BUB

HEAVY DUTY COULTER AND DOWN PRESSURE SPRING INSTALLATION (YETTER, JOHN DEERE, KINZE)

1. For John Deere planters that do not have the four (4) mounting holes in the front shank, drill four (4) 17/32 holes using template provided.
2. Mount Unit Couler Bracket to shank, using four (4) 1/2 x 1-1/2 hex head capscrews, flatwashers, and locknuts.
3. Mount Unit Couler Arm to Unit Couler Bracket using 5/8 capscrews and locknuts. Insert 7/8 O.D. bushing in small mounting tab to assemble.
4. Mount Support Plate W.A. (item 7) to planter unit pull angles using existing u-bolts. Mount this plate with the spring anchor tabs toward the bottom.
5. Mount Spring Tube W.A. to upper parallel arms with the slotted plate pointing down and toward the rear of the planter. Use 1/2 x 1-1/2 hex head capscrews and locknuts.
6. Mount blade to hub using 1/2 x 1-1/2 carriage bolts, lockwashers, and nuts.
7. Mount springs using 1/2 x 2-3/4 capscrews, flatwashers, and nuts. Adjust capscrews until there is approximately 1-1/2 inches between the jam nuts and the bottom heads of the capscrews.
8. Adjust couler depth so that the blade is running approximately 3/8" above the planter opener blades. Re-adjust as necessary for blade wear.



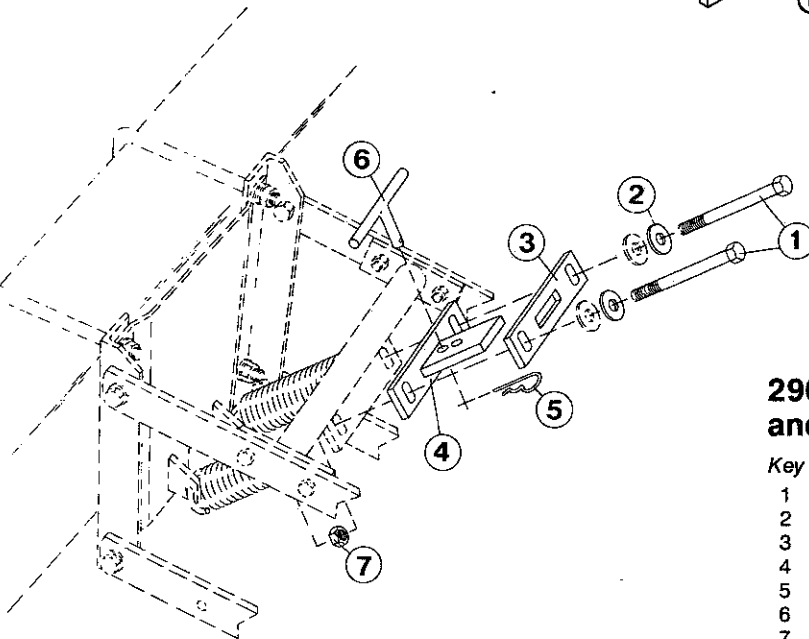
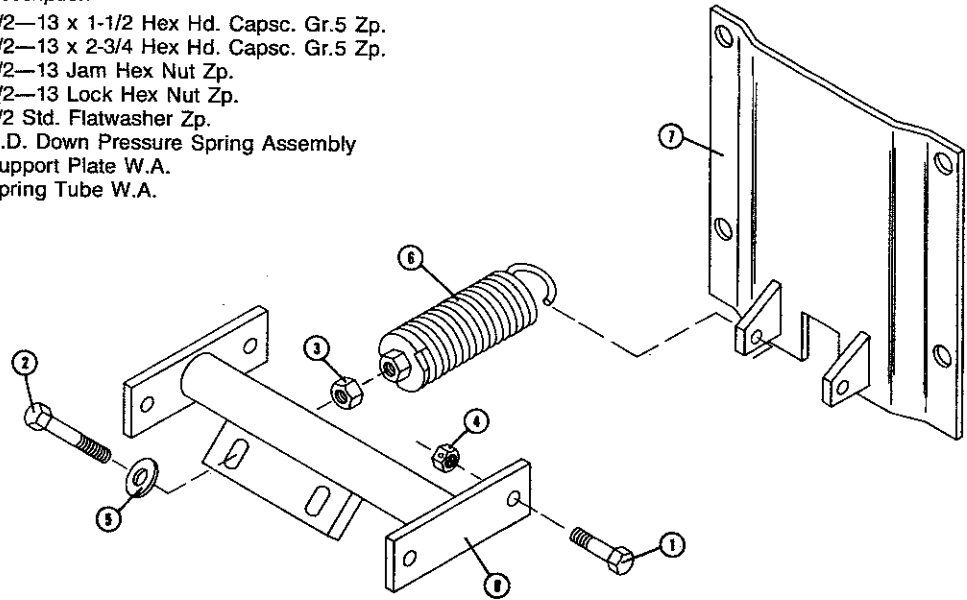
Unit Couler (Yetter, J.D., Kinze)

Key	Qty.	Part No.	Description
1	4	2502-294	1/2—13 x 1-1/2 Hex Hd. Capsc. Gr.5 Zp.
2	4	2520-357	1/2—13 Lock Hex Nut Zp.
3	4	2526-351	1/2 Std. Flatwasher Zp.
4	1	2502-332	5/8—11 x 2-1/4 Hex Hd. Capsc. Gr.5 Zp.
5	1	2502-324	5/8—11 x 3-1/2 Hex Hd. Capsc. Gr.5 Zp.
6	2	2520-459	5/8—11 Lock Hex Nut Zp.
7	1	2960-306	Bushing, 7/8 O.D. x 5/8 I.D. x 5/8
8	4	2505-339	1/2—13 x 1-1/2 Car. Bolt Gr.5 Zp.
9	4	2525-352	1/2 Med. Lockwasher Zp.
10	4	2520-352	1/2—13 Hex Nut Zp.
11	1	2960-201	Unit Couler Arm W.A.
12	1	2526-449	5/8 Flatwash., 11/16 I.D. x 1-3/4 O.D. x 1/4 ± .010
13	1	2900-105	Hub Pressed Assembly
14	2	2550-029	Cup (Pre-Assem., W/No. 13)
15	2	2550-027	Cone
16	1	2570-375	Hub Cap
17	1	2520-461	5/8—18 Slotted Hex Nut, ZP.
18	1	2960-200	Unit Couler Bracket W.A.
19	1	2571-153	.157 x 16" Bubble Flute Couler 3.938
	1	2571-163	14.88 Dia. Bubble Flute Blade
	1	2571-164	14.56 Dia., 3/4" Flute Couler Blade
20	1	2565-179	Yetter Decal 1" x 3"
	1	2550-115	Seal
	1	2531-102	1/8 x 1-1/4 Cotter Pin, Black

SPRING KIT INSTALLATION (YETTER, JOHN DEERE, KINZE)

2960-106 H.D. Down Pressure Spring Kit

Key	Qty.	Part No.	Description
1	4	2502-294	1/2—13 x 1-1/2 Hex Hd. Capsc. Gr.5 Zp.
2	2	2502-295	1/2—13 x 2-3/4 Hex Hd. Capsc. Gr.5 Zp.
3	2	2520-356	1/2—13 Jam Hex Nut Zp.
4	4	2520-357	1/2—13 Lock Hex Nut Zp.
5	2	2526-351	1/2 Std. Flatwasher Zp.
6	2	2960-102	H.D. Down Pressure Spring Assembly
7	1	2960-202	Support Plate W.A.
8	1	2960-203	Spring Tube W.A.



2960-120 Quick Set and Installation

Key	Qty.	Part No.	Description
1	2	2502-362	1/2—13 x 5 HHCS Gr.5
2	2	2526-351	1/2 Flatwasher Zp.
3	1	2960-336	Spring Adjust Plate
4	1	2960-212	Spring Adjust Plate W.A.
5	1	2570-448	1/8 Hair Pin Cotter Zp.
6	1	2960-213	Spring Adjust Pin W.A.
7	2	2520-356	1/2—13 Jam Nut Zp.

1. Remove existing bolts from plugs in springs supplied on unit.
2. Assemble No. 3 and No. 4 plates as shown above. Insert 1/2" bolt (No. 1) with flatwashers installed, thru the slotted holes in all three brackets.
3. Assemble 1/2" jam nut (No. 7) on the bolt (No. 1) and run the nut onto the bolt as far as it will go.
4. Install bolts into spring plugs and tighten using the jam nut to lock it. Check to assure the 1/2" jam nut (No. 7) is at the end of the threads of No. 1 to assure maximum adjustment.
5. The adjustments are as follows:
 - A. Leave plates No. 3 and No. 4 together and insert pin (No. 6) in top hole for minimum down pressure.
 - B. Separate plates No. 3 and No. 4 and install pin (No. 6) in bottom hole for medium down pressure.
 - C. Separate plates No. 3 and No. 4 and install pin (No. 6) in top hole for maximum down pressure.
6. After down pressure has been set, install cotter pin (No. 5) into spring adjust pin.
7. CAUTION: When lowering units for first time after installation of Quick Set, lower units slowly and check to assure for proper clearance between seed boxes and Quick Set.

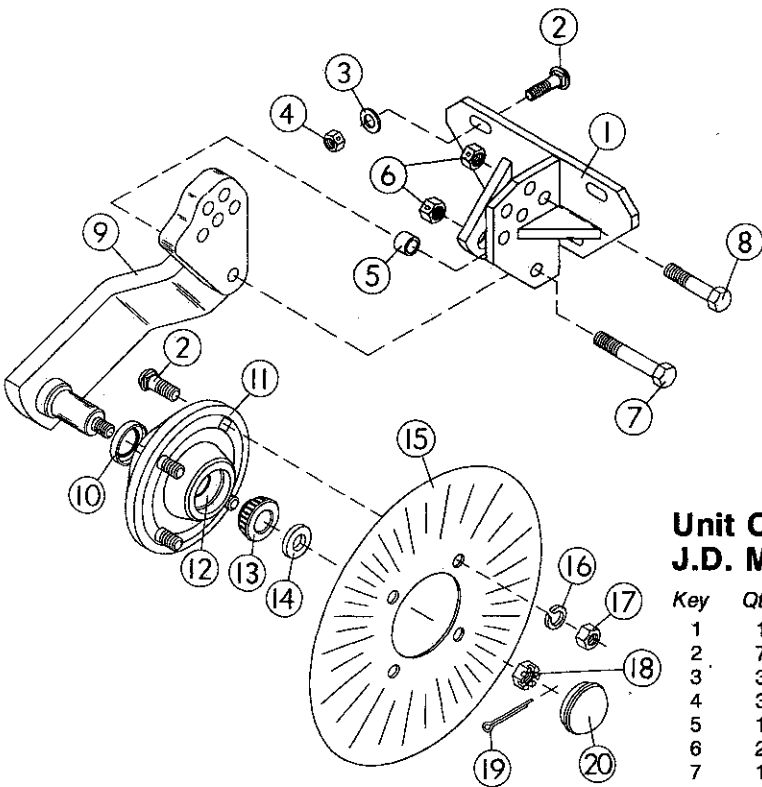
UNIT COULTER INSTALLATION (J.D. MAX EMERGE 2)

1. Mount Unit Coultter support bracket (item 1) to planter breast plate using three (3) 1/2 x 1-1/2 carriage bolts, flatwashers, and locknuts.
2. Mount Unit Coultter Arm to support bracket using 5/8 x 3-1/2 hex head capscrew (item 7), bushing (item 5), and locknut (item 6).
3. Install adjusting bolt (item 8) in top rear hole as shown, or one hole down from all the way up.
4. Install blade on hub using four (4) 1/2 x 1-1/2 carriage bolts, lockwashers, and nuts.
5. Align coultter blade with opener blades by sliding bracket on breast plate, then tighten all bolts and nuts.

OPERATION

Adjust coultter depth so that the blade is running approximately 3/8" above the planter opener blades. Re-adjust as necessary for blade wear.

Adjust spring tension by lifing handle up and forward until the half moon shaft ends disengage the adjustment plate notches. Position spring set to desired position and then rotate handle down and rearward to secure new position.

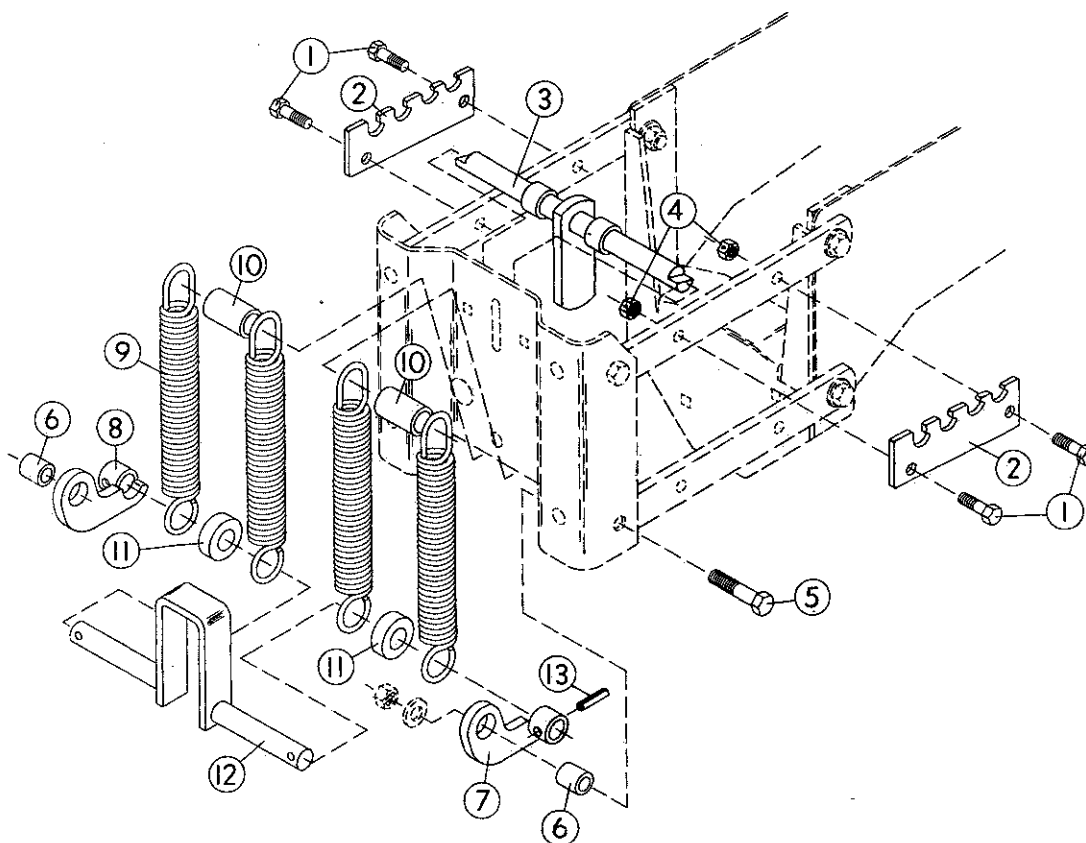


Unit Coultter J.D. Max Emerge 2

Key	Qty.	Part No.	Description
1	1	2960-206	Coultter Bracket W.A., 7200
2	7	2505-339	1/2—13 x 1-1/2 Car. Bolt. Gr.5 Zp.
3	3	2526-351	1/2 Std. Flatwasher Zp.
4	3	2520-357	1/2—13 Lock Hex Nut Zp.
5	1	2960-306	Bushing, 7/8 O.D. x 5/8 I.D. x 5/8
6	2	2520-459	5/8—11 Lock Hex Nut Zp.
7	1	2502-324	5/8—11 x 3-1/2 Hex Hd. Capsc. Gr.5 Zp.
8	1	2502-332	5/8—11 x 2-1/4 Hex Hd. Capsc. Gr.5 Zp.
9	1	2960-207	Coultter Arm W.A., 7200
10	1	2550-115	Seal
11	1	2900-102	Hub Sub-Ass'y.
12	2	2550-029	Cup (Pre-Assem. W/No. 11)
13	2	2550-027	Cone
14	1	2526-449	5/8 Flatwasher, 11/16 I.D. x 1-3/4 O.D. x 1/4 ± .010
15	1	2571-153	16" Bubble Flute Coultter Blade
16	4	2525-352	1/2 Med. Lockwasher Zp.
17	4	2520-352	1/2—13 Hex Nut Zp.
18	1	2520-469	5/8—18 Slotted Hex Nut, Black
19	1	2531-102	1/8 x 1-1/4 Cotter Pin, Black
20	1	2570-375	Hub Cap

SPRING KIT INSTALLATION (J.D. MAX EMERGE 2)

1. Pre-assemble springs to lower spring anchor bar, (items 7, 8, 9, 11, 12, and 13) as shown. Note that smaller spring loops are mounted to this bottom anchor.
2. Remove front lower planter parallel link, pivot bolts, and spacers. Install new longer bolts and spacers (items 6 and 7) with new longer bolt (item 5) thru spring anchor arms (items 7 and 8).
3. Install upper ends of springs and spacers to down pressure bar (item 3) as shown. It will be necessary to have planter units in transport position to install springs.
4. Install spring adjustment plates (item 2) to planter top parallel links using 1/2 x 1-1/2 hex head capscrews and locknuts. Note that the deeper notices mount to the front on both sides.
5. Tighten all bolts and nuts.



2960-110 Down Pressure Spring Kit J.D. Max Emerge 2

Key	Qty.	Part No.	Description
1	4	2502-294	1/2—13 x 1-1/2 Hex Hd. Capsc. Gr.5 Zp.
2	2	2960-327	Spring Adjustment Plate
3	1	2960-208	Down Pressure Bar W.A.
4	4	2520-357	1/2—13 Lock Hex Nut Zp.
5	2	2502-332	5/8—11 x 2-1/4 Hex Hd. Capsc. Gr.5 Zp.
6	2	2960-332	Arm Pivot Bushing
7	1	2960-211	L.H. Spring Anchor Arm W.A.
8	1	2960-210	R.H. Spring Anchor Arm W.A.
9	4	2960-333	Ext. Spring, 1-5/8 O.D. x .26 Wire, Black
10	2	2960-323	Outside Spring Spacer
11	2	2570-082	Rubber Spacer, Solid
12	1	2960-209	Spring Anchor Bar W.A.

Our name Is getting known

Just a few years ago, Yetter products were sold primarily to the Midwest only. Then we embarked on a program of expansion and moved into the East, the South, the West, and now north into Canada. We're even getting orders from as far away as Australia and Africa.

So, when you buy Yetter products . . . you're buying a name that's recognized. A name that's known and respected. A name that's become a part of American agriculture and has become synonymous with quality and satisfaction in the field of conservation tillage.

Thank you

YETTER MANUFACTURING CO.

FOUNDED 1930

Colchester, IL 62326-0358 • 309/776-4111

Toll free 800/447-5777 (outside Illinois)

800/325-7165 (in Illinois)

309/776-3222 (Fax)