



MAXIMIZER  
SEED HANDLING SYSTEM  
1310-010  
OPERATOR'S MANUAL  
PART IDENTIFICATION



**YETTER MANUFACTURING CO.**  
*FOUNDED 1930*  
Colchester, IL 62326-0358  
Toll free: 800/447-5777  
309/776-3222 (Fax)  
Website: [www.yetterco.com](http://www.yetterco.com)  
E-mail: [info@yetterco.com](mailto:info@yetterco.com)

**YETTER**

## FOREWORD

You've just joined an exclusive but rapidly growing club.

For our part, we want to welcome you to the group and thank you for buying a Yetter product.

We hope your new Yetter products will help you achieve both goals-increase your productivity and increase your efficiency so that you may generate more profit.

This operator's manual has been designed into four major sections: Foreword, Safety Precautions, Installation Instructions and Parts Breakdown.



This **SAFETY ALERT SYMBOL** indicates important safety messages in the manual. When you see this symbol, be alert to the possibility of **PERSONAL INJURY** and carefully read the message that follows.

The word **NOTE** is used to convey information that is out of context with the manual text. It contains special information such as specifications, techniques and reference information of a supplementary nature.

The word **IMPORTANT** is used in the text when immediate damage will occur to the machine due to improper technique or operation. Important will

apply to the same information as specified by note only of an immediate and urgent nature.

It is the responsibility of the user to read the operator's manual and comply with the safe and correct operating procedure and to lubricate and maintain the product according to the maintenance schedule in the operator's manual.

The user is responsible for inspecting his machine and for having parts repaired or replaced when continued use of the product would cause damage or excessive wear to the other parts.

It is the user's responsibility to deliver his machine to the Yetter dealer who sold him the product for service or replacement of defective parts, which are covered by the warranty policy.

If you are unable to understand or follow the instructions provided in this publication, consult your local Yetter dealer or contact:

### **YETTER MANUFACTURING CO.**

309/776-4111

800/447-5777

309/776-3222 (FAX)

Website: [www.yetterco.com](http://www.yetterco.com)

E-mail: [info@yetterco.com](mailto:info@yetterco.com)

## WARRANTY

Yetter Manufacturing warrants all products manufactured and sold by it against defects in material. This warranty being expressly limited to replacement at the factory of such parts or products as shall appear to be defective after inspection. This warranty does not obligate the Company to bear cost of labor in replacement of parts. It is the policy of the Company to make improvements without incurring obligations to add them to any unit already sold. No warranty is made or authorized to be made, other than herein set forth. This warranty is in effect for one year after purchase.

Dealer \_\_\_\_\_

**Yetter Manufacturing warrants its own products only and cannot be responsible for damages to equipment on which mounted.**



## **BE ALERT! YOUR SAFETY IS INVOLVED.**



**WATCH FOR THIS SYMBOL. IT POINTS OUT IMPORTANT SAFETY PRECAUTIONS. IT MEANS “ATTENTION---BECOME ALERT!”**

It is your responsibility as an owner, operator, or supervisor to know and instruct everyone using this machine at the time of initial assignment and at least annually thereafter, of the proper operation, precautions, and work hazards which exist in the operation of the machine in accordance with OSHA regulations.

### **Safety Is No Accident**

**The following safety instructions, combined with common sense, will save your equipment from needless damage and the operator from unnecessary exposure to personal hazard. Pay special attention to the caution notes in the text. Review this manual at least once each year with new and/or experienced operators.**



1. Read and understand the operator's manual before operating this machine. Failure to do so is considered a misuse of the equipment.
2. Make sure equipment is secure before operating.
3. Always keep children away from equipment when operating.
4. Make sure everyone that is not directly involved with the operation is out of the work area before beginning the operation.
5. Make sure all safety devices, shields, and guards are in place and are functional before beginning the operation.
6. Shut off power to adjust, service, or clean.
7. Keep hands, feet, and clothing away from moving parts. It is a good idea to remove all jewelry before starting the operation.
8. Visually inspect the machine periodically during operation for signs of excessive vibration, loose fasteners, and unusual noises.



## CAUTION

1. Read and understand instruction manual before operating.
2. Keep all safety shields and devices in place.
3. Make certain everyone is clear before operating machine.
4. Keep hands, feet, and clothing away from moving parts.
5. Shut off power to adjust, service, or clean.
6. Make sure machine is secured before operating.
7. When transporting, shut fuel lever off.
8. DO NOT operate machine when guards are removed.

### Pre-Operating Check List:

1. Service the gas engine and gear reduction box.
2. Connect the wire harness.
3. Check all bearings for proper lubrication.
4. Check the tube for foreign material.
5. Check all belts for proper tension.
6. Tighten all setscrews.
7. Start unit and check tender belt alignment while unit is empty.

### **BELT CARE.....**

It is suggested that the unit be run every two to three days or more often if possible. This tends to keep the tender belt alive and stops any forming of the belt to the curvature of the tube while the unit is not in use.

NOTE: Belt may deteriorate if not in use and exposed to weather conditions for any prolonged period of time.

### Operation Sequence

1. Check drive belt for proper tension.
2. Make sure tender belt is properly tensioned.
3. Allow unit to run empty for a few minutes to flex tender belt.
4. Check tender belt for proper alignment.
5. Before shutting power off, be certain drive belt and tender belt are empty of seed.

### **STORAGE.....**

#### Temporary Storage

1. Relieve tension from all belts; both v-belt and tender belt.
2. Store all belt equipment in a dry place. If equipment cannot be stored out of the weather, cover engine and mechanical parts with waterproof material.

### **IMPORTANT**

#### **Prolonged Storage**

1. Remove all belts and store in a cool, dark, dry place.
2. Wash tender belt thoroughly.
3. Wash tender tube both inside and out.
4. Lubricate all bearings.
5. Store in a dry shelter.

# MAINTENANCE

Preventative maintenance is the key to the long life of any mechanical device.

Careful and systematic inspection of the machine will result in maximum, trouble-free service.

## **BELT REPLACEMENT.....**

To replace the belt, Remove the splice pin and hand rotate the head roller until belt has been removed. Install appropriate belt as outlined in assembly instructions.

## **HEAD ASSEMBLY TAKE-UP.....**

After extended use, the tender belt may stretch to the point that there is not sufficient take-up in the head assembly to tighten it. Obtain additional take-up by cutting a 6" to 8" section from the belt. A new splice lacing may be ordered from your dealer.

## **PERIODIC CLEAN-OUT.....**

Due to the characteristics of certain materials, residue sometimes collects between the tender belt and the tube. Check the unit periodically for any material build up in this area. If residue appears excessive, remove the tender belt and thoroughly wash the belt and tube. Allow belt and tube to dry before reinstalling the belt.

## **LUBRICATION.....**

All bearings which are fitted with grease zerks should be lubricated at the conclusion of each operating day. Before greasing the bearings, make certain the zerks are free of dirt, otherwise this will be passed into the bearing race. If the unit will be out of service for period of time, purge the bearings.

## **TENDER BELT TRAINING PROCEDURE.....**

A tender belt correctly installed and trained will run straight and true. The belt must run centered on all head rollers and tail roller throughout the entire belt length.

Incorrect installation and training can result in severe edge damage, material spillage, material leakage through the skirt rubber at the loading point, and excessive power demands. Material spillage is the usual reason for belt carcass ruptures and pulley covers gouging and stripping, while leakage at the skirt rubber results in excessive conveyor cover wear under the skirts.

## **ALIGNMENT.....**

All rotating parts-head roller and tail roller must be at a 90 degree angle to the direction of belt travel, must be level, and the midpoint of each centered on a line when properly aligned.

Alignment is checked by running a tight wire from the center of the head roller to the center of the tail roller.

Level all rotating parts. If a part is not level, the belt will run to the lower side.

## **BELT SPLICING.....**

A tender belt must not run out at the splice area. Run out will occur if the belt is not cut square or splice is not installed square.

# BOLT TORQUE

## Mounting bolts and hardware

All hardware used on the Maximizer is Grade 5 unless otherwise noted. Grade 5 cap screws are marked with three radial lines on the head. If hardware must be replaced, be sure to replace it with hardware of equal size, strength and thread type. Refer to the torque values chart when tightening hardware.

**Important:** Over tightening hardware can cause as much damage as when under tightening. Tightening hardware beyond the recommended range can reduce its shock load capacity.

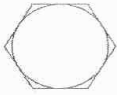
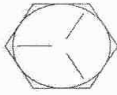

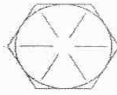


The chart below is a guide for proper torque. Use it unless a specified torque is called out elsewhere in the manual.

**Torque is the force you apply to the wrench handle or the cheater bar, times the length of the handle or bar.**

**Use a torque wrench whenever possible.**

The following table shows torque in ft. lbs. for coarse thread hardware.

BOLT DIA. AND THREADS PER INCH	 GRADE 2	 OR  GRADE 5 A-325	 GRADE 8
1/4	6	10	14
5/16	12	20	30
3/8 - 16	25	35	50
7/16 - 14	35	55	80
1/2 - 13	55	85	125
9/16 - 12	75	125	175
5/8 - 11	105	170	235
3/4 - 10	185	305	425
7/8 - 9	170	445	690
1-8	260	670	1030
1 1/8 - 7	365	900	1460
1 1/4 - 7	515	1275	2060
1 3/8 - 6	675	1675	2700
1 1/2 - 6	900	2150	3500
1 3/4 - 5	1410	3500	5600

## OPERATION

1. Prior to the start-up, check to see that belt is free from any objects that would bind or tear.
2. On starting for the first time, with no load on belt, apply power for a few seconds only to see that the tender belt is well centered in the tube and on the return.
3. It should be noted at this time that too much tension on the on the tender belt will make adjustment or training much more difficult, shorten the life of the belt, and waste power. The belt should be tensioned tight enough so the drive roller does not slip.

**IMPORTANT Fuel valve: When engine is not in use leave the fuel valve in the OFF position to prevent fuel in the oil crankcase and or carburetor flooding. Shut off the fuel and run the motor completely out of fuel before transporting.**

## BELT TRAINING.....

It is essential that the tender belt be properly trained at all times. For this reason, all rotating parts should always be at right angles to the tender belt.

Slight adjustment of roller shafts may be required to keep belts centered on them i.e., if the belt runs to one side of the roller – apply more tension to this side of the belt by advancing the roller shaft on this side.

1. One or more rotating parts not in alignment.
2. Belt tensions in some part of system (usually at tail section) are below minimum recommendation.
3. Belt not loaded centrally.

When a belt is initially started, it should be jogged around the system to determine if a major run out occurs which could damage belt and belt edges. If run out occurs at some point of the system, the reason is usually a roller out of alignment before the run out. Alignment should be rechecked before restarting.

After the belt can be safely run without damage, final training should begin with the head roller. The belt must enter the head roller in the center without movement from side to side. If the belt is not centered on the tail pulley, the return strand of the belt should be observed for any section that is not centered.

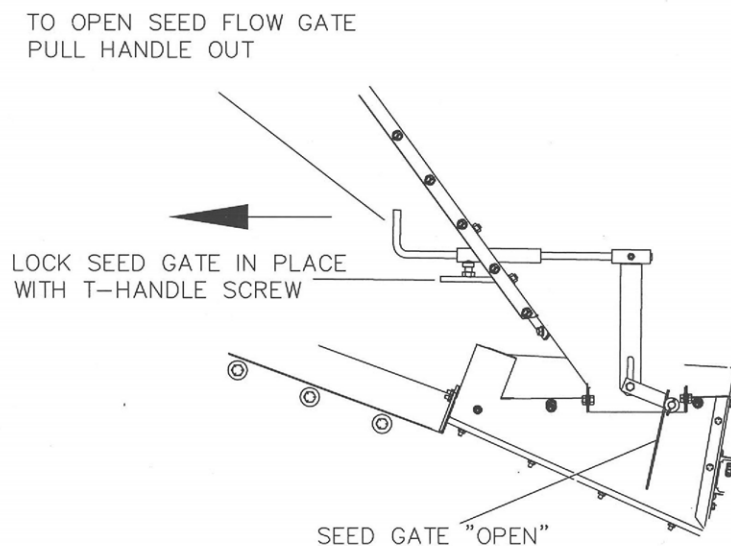
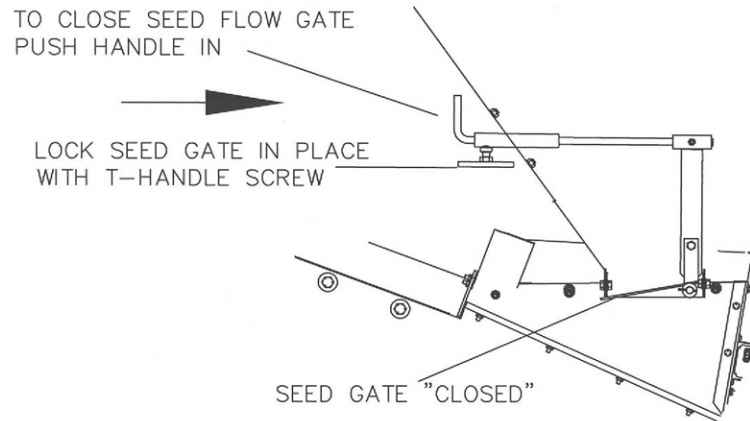
After the belt is trained empty, the belt should be trained with a load. The take-up adjustments are made to prevent belt slip and keep tensions at all points above minimums recommended when belt is operating with a load.

If slip occurs under, additional belt tension should be adjusting the take-up only enough to prevent slip from occurring under load, and when started with a load.

## PRODUCT HANDLING.....

1. Load seed box onto frame and engage the lock down brackets. Ensure that the seed boxes are secure before transporting.
2. Start the engine
3. Open seed box gate.
4. Open hopper seed flow gate
5. Move the toggle switch to control the start and stop of the seed flow.

## OPERATION HOPPER SEED FLOW GATE



### CLEANOUT...

1. Close the seed box gate or hopper seed flow gate before the seeding implement is full, so that the Maximizer belts are empty of seed before transporting.
2. Run the conveyor until all the seed that is on the belts has been transferred.

### TRANSPORTING...

1. Lower the tube.
2. Shut off fuel supply.
3. Run engine empty of fuel.
4. Make sure all the lights and reflectors that are required by local highway authorities are in place, are clean and can be seen clearly by all traffic.
5. Make sure the seed box gates are closed.
6. Make sure the seed boxes are securely seated and locked to the frame.
7. Lock conveyor in place.



## SERVICE...

1. Check engine oil level daily.
2. Change engine oil every 25 hours.
3. Check for oil leaks daily.
4. Grease bearings every 50 hours.
5. Check bearings annually.
6. Check belt tension and adjust as required. Belt tension should be just enough to drive the belt. Belt will require 10 hours of operation to break in. Some adjustment may be required at this time.
7. Belt and splice should be in good condition, check daily.

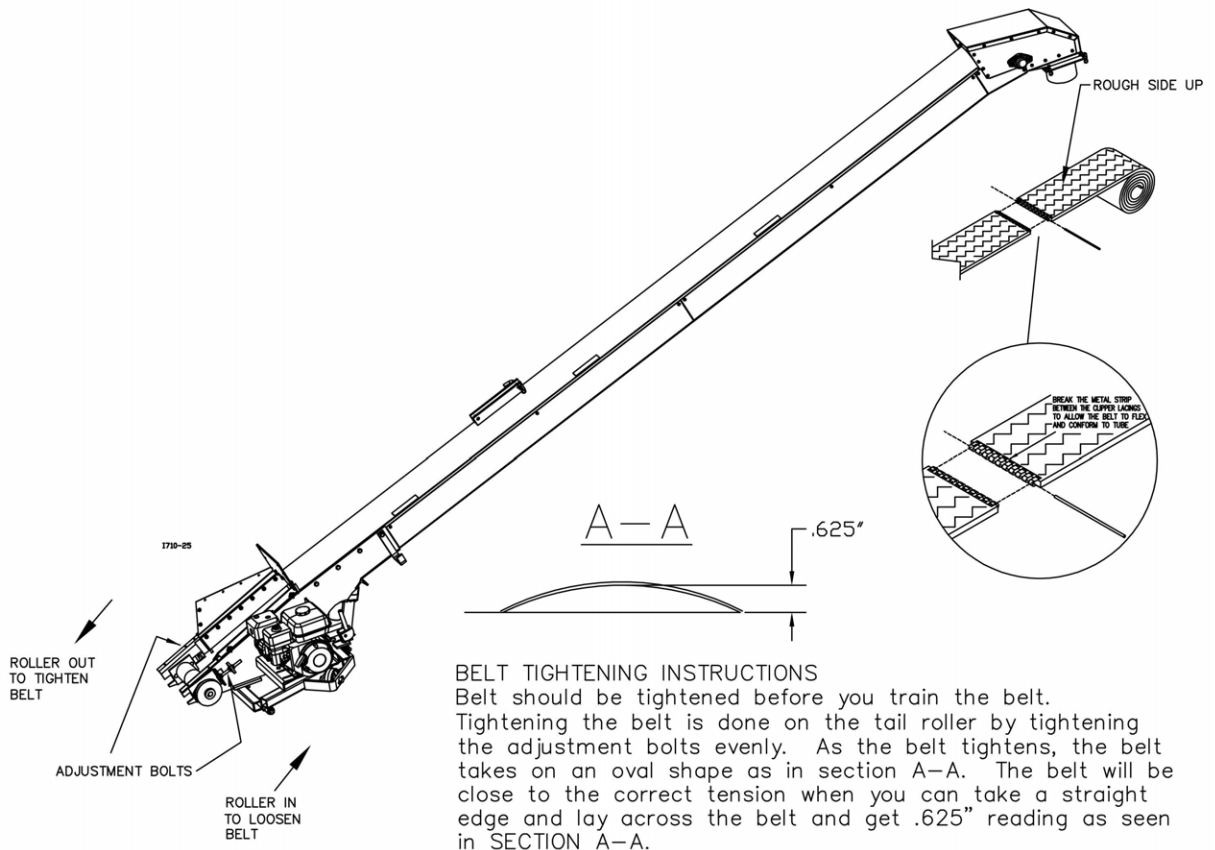
## BELT REPLACEMENT INSTRUCTIONS

Route both ends around head and tail roller, slide belt forward and back through tube so ends of the belt meet at a convenient location.

Align and interlace belt and clipper lacings. Slip splice pin through clipper lacings to secure. NOTE: The clipper lacings are connected on a metal strip that needs to be broken to allow the belt to flex.

Tighten belt by turning adjustment nuts on head roller assembly in. Tighten evenly on each side until belt is tight.

To train belt, see belt training instructions in this manual.



# TROUBLE SHOOTING

This is a list of many of the possible problems, causes and solutions to problems that you may encounter. If you have a problem that is not covered, please contact your dealer or Yetter Manufacturing Co. at 1-800-447-5777. Before you call, please have your operator's manual and the model number of the machine.

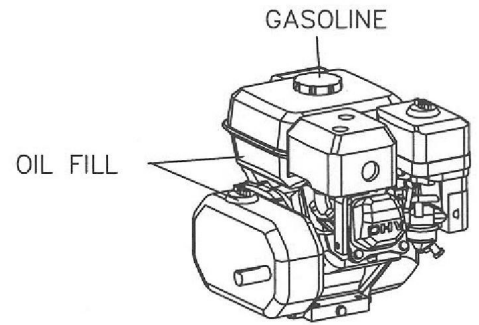
<b>PROBLEM</b>	<b>CAUSE</b>	<b>SOLUTION</b>
Belt edge is frayed	Belt not aligned	Align and tension belt.  Make certain belt is not Rubbing against anything
Tender belt will not turn	V-belt is loose  Key sheared on pulley	Tighten V-belt  Replace key
Engine will not start	Fuel shut off  Poor battery connection or dead battery	Turn on fuel  Tighten cable connection and charge battery
Electric switch will not work.	Poor connection.  Broken wire	Check connections  Test wire for continuity
Seed will not flow	Blockage exists	Remove blockage
Tender tube will not rise	Dead battery  Broken wire or switch	Charge battery  Test wire for continuity

# ASSEMBLY

## PREPARE ENGINE FOR USE

- ① FILL THE ENGINE CRANKCASE WITH OIL
- ② FILL THE GEAR REDUCTION UNIT, MOUNTED TO THE ENGINE, WITH OIL
- ③ FILL THE GAS TANK ON THE ENGINE WITH GAS

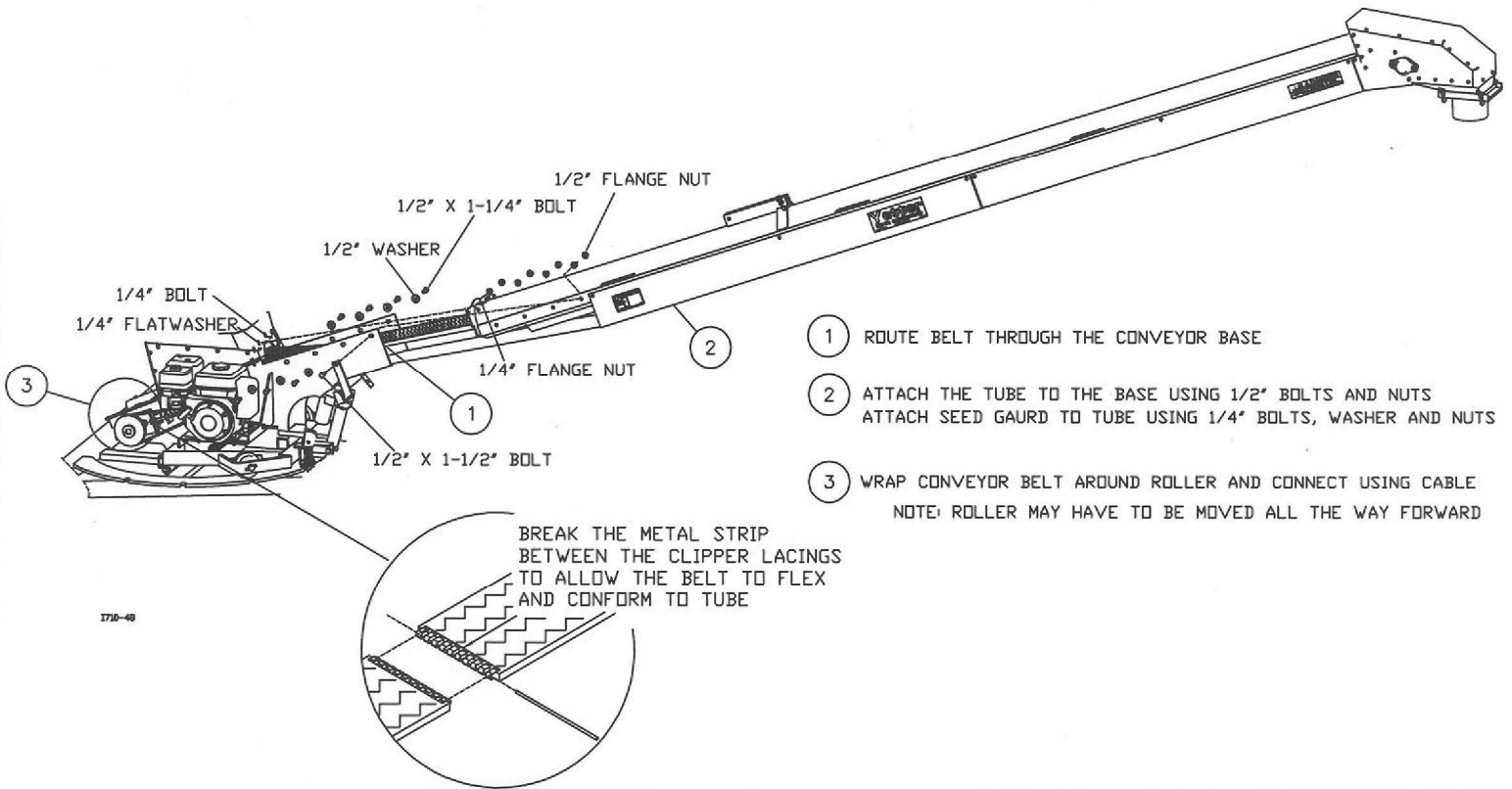
NOTE: REFER TO THE HONDA ENGINE OWNERS MANUAL FOR PROPER OIL TYPE AND AMOUNT



1710-45 ENGINE

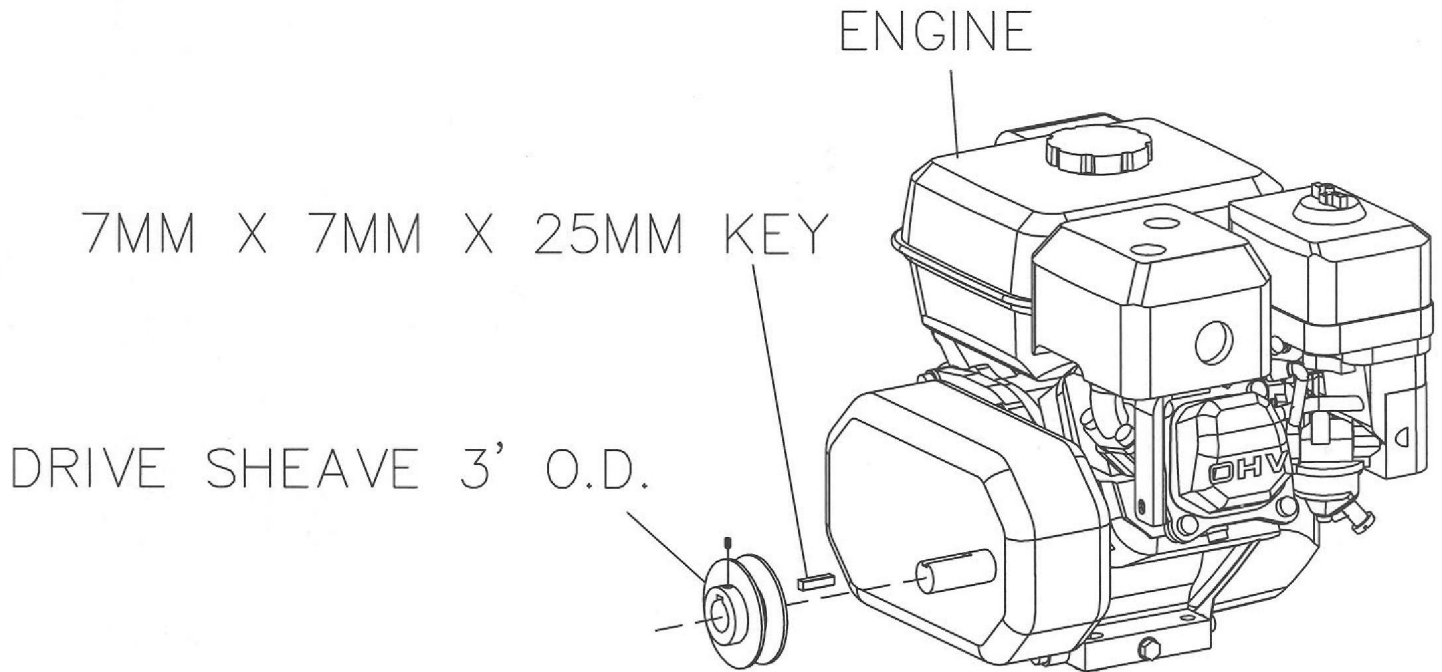
# ASSEMBLY

## CONVEYOR TUBE INSTALLATION



# ASSEMBLY

## ENGINE ASSEMBLY

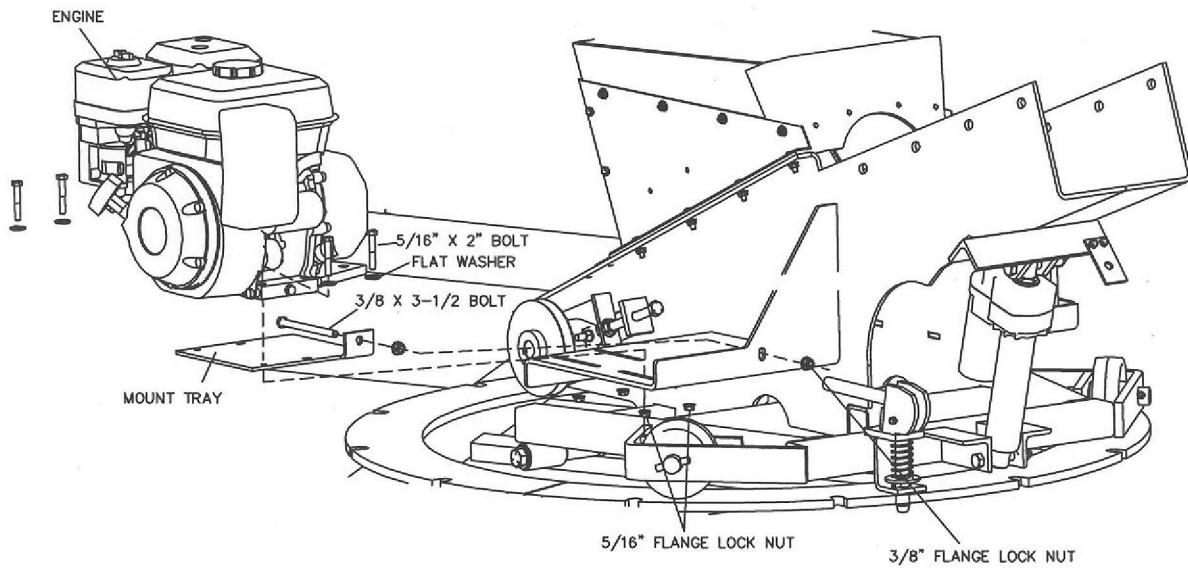


INSTALL DRIVE SHEAVE ON SHAFT  
LEAVE SET SCREW LOOSE TO ALLOW FOR  
SHEAVE ALIGNMENT DURING LATER STEP.

I710-45

# ASSEMBLY

## POWER UNIT ASSEMBLY



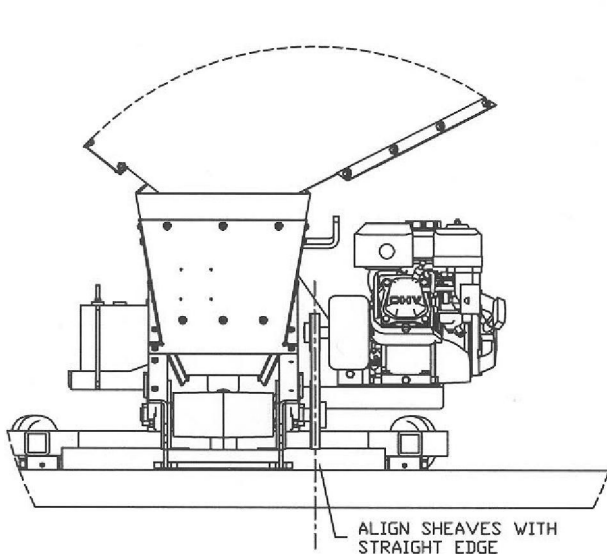
ATTACH ENGINE AND MOUNT TRAY TO THE CONVEYOR BASE

NOTE: LEAVE MOUNTING BOLTS LOOSE FOR BELT INSTALLATION DURING LATER STEP

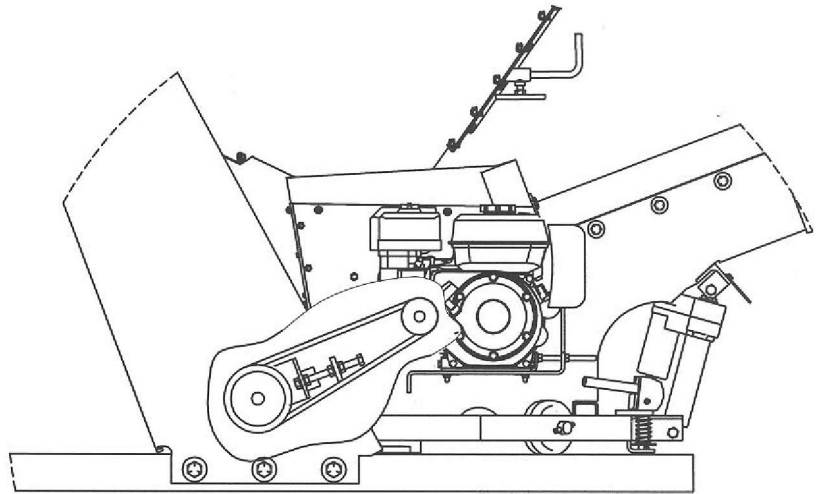
I710-46

# ASSEMBLY

## DRIVE BELT INSTALLATION



- 1 PLACE BELT AROUND SHEAVES
- 2 ALIGN SHEAVES SO BELT IS STRAIGHT
- 3 TIGHTEN SET SCREWS ON SHEAVES



NOTE: CHECK BELT GAIRD FIT FOR CLEARENCE  
AROUND DRIVE SHEAVE  
ADJUST SHEAVE IF NEEDED  
DO NOT INSTALL GAIRD AT THIS TIME

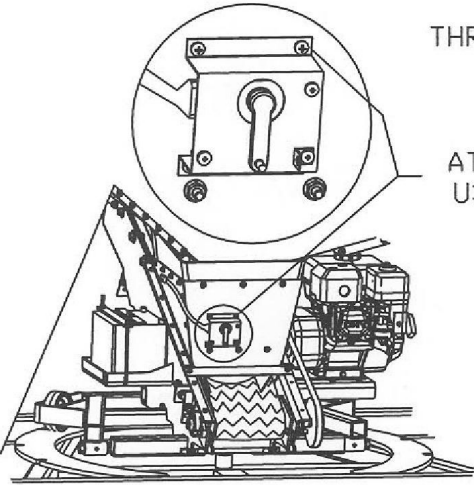
NOTE: DO NOT TENSION BELT DURING THIS STEP  
LEAVE ENGINE MDUNTING BOLTS LOOSE FOR LATER STEP

I710-47

# ASSEMBLY

## THROTTLE CONTROL INSTALLATION

ATTACH (VTC) VARIABLE THROTTLE CONTROL TO HOPPER PANEL  
USING 4) 2513-501 #10x1/2" PAN HEAD SCREW

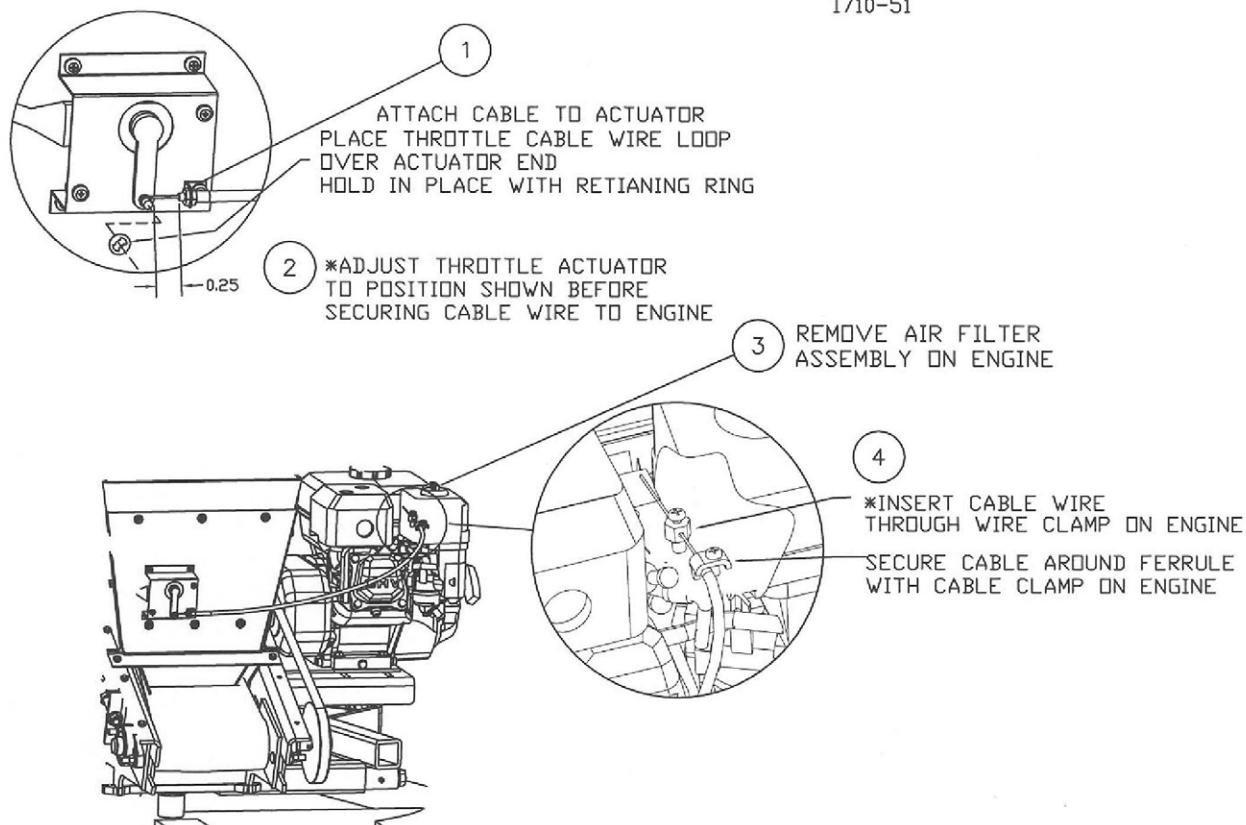




# ASSEMBLY

## THROTTLE CABLE INSTALLATION

I710-51



- 1 ATTACH THROTTLE CABLE HOUSING TO ACTUATOR  
INSERT CABLE WIRE THROUGH HOUSING AND ATTACH TO ACTUATOR
- 2 ADJUST THROTTLE ACTUATOR TO .25" AS SHOWN
- 3 REMOVE AIR FILTER ASSEMBLY ON ENGINE
- 4 INSERT THROTTLE CABLE WIRE THROUGH CLAMP ON ENGINE  
CLAMP THE THROTTLE CABLE HOUSING AROUND THE FERRULE TO THE ENGINE  
TIGHTEN SCREW ON WIRE CLAMP
- 5 REINSTALL AIR FILTER ASSEMBLY

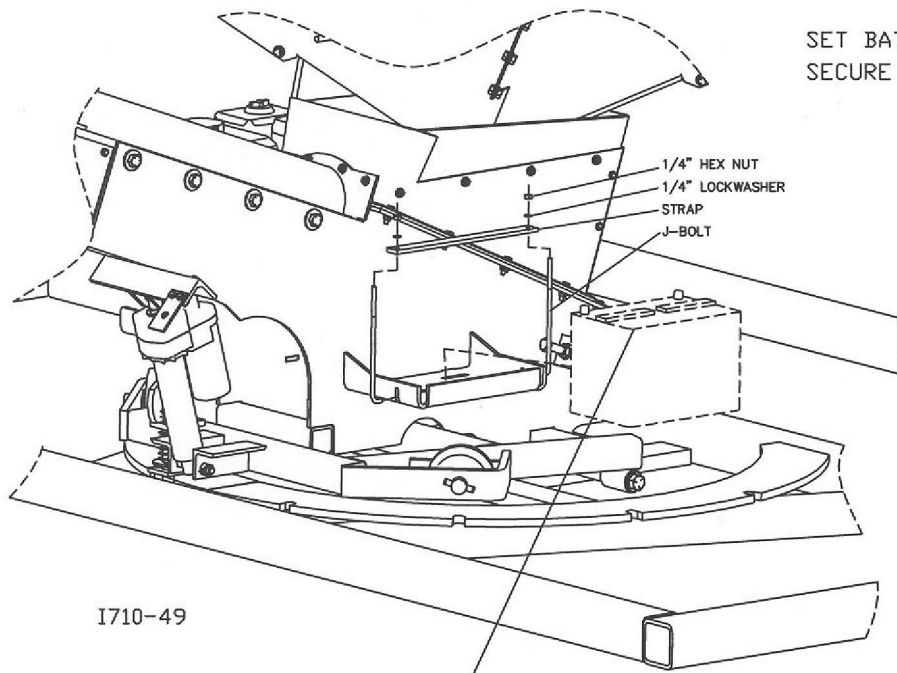
NOTE: THE NUT HOLDING THE THROTTLE  
LEVER ON THE ENGINE MAY NEED TO BE  
LOOSENED TO ALLOW REMOTE THROTTLE CONTROL

NOTE: USING THROTTLE LEVER LOCATED ON THE ENGINE  
TO ADJUST SPEED AFTER THE CABLE IS INSTALLED  
WILL CREATE BINDING IN THE THROTTLE WIRE  
CAUSING THE REMOTE THROTTLE SYSTEM TO NOT FUNCTION PROPERLY

# ASSEMBLY

## BATTERY INSTALLATION

SET BATTERY IN TRAY  
SECURE USING STRAP AND HARDWARE AS SHOWN



- 1/4" HEX NUT
- 1/4" LOCKWASHER
- STRAP
- J-BOLT

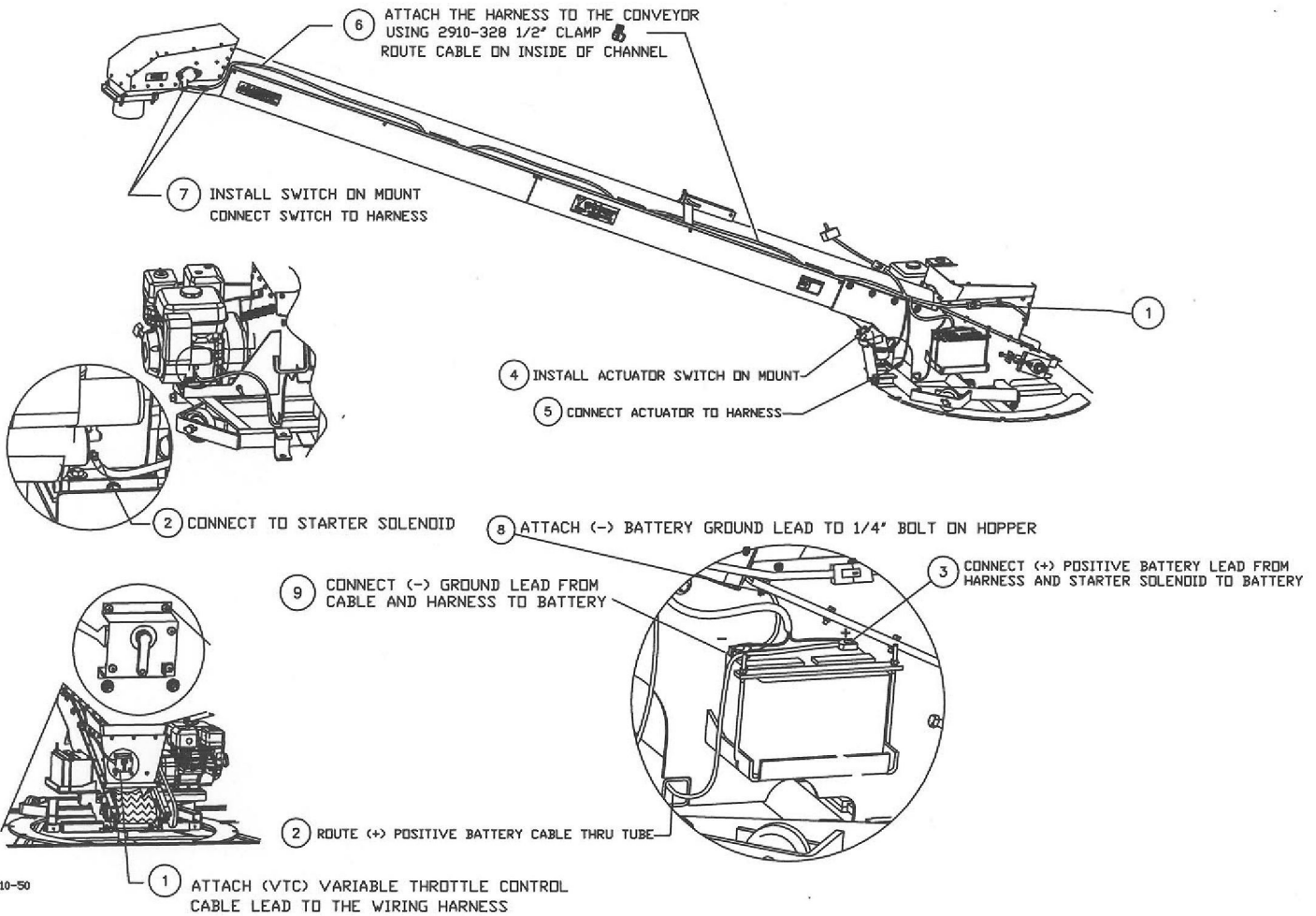
I710-49

BATTERY (NOT SUPPLIED BY YETTER)

# ASSEMBLY

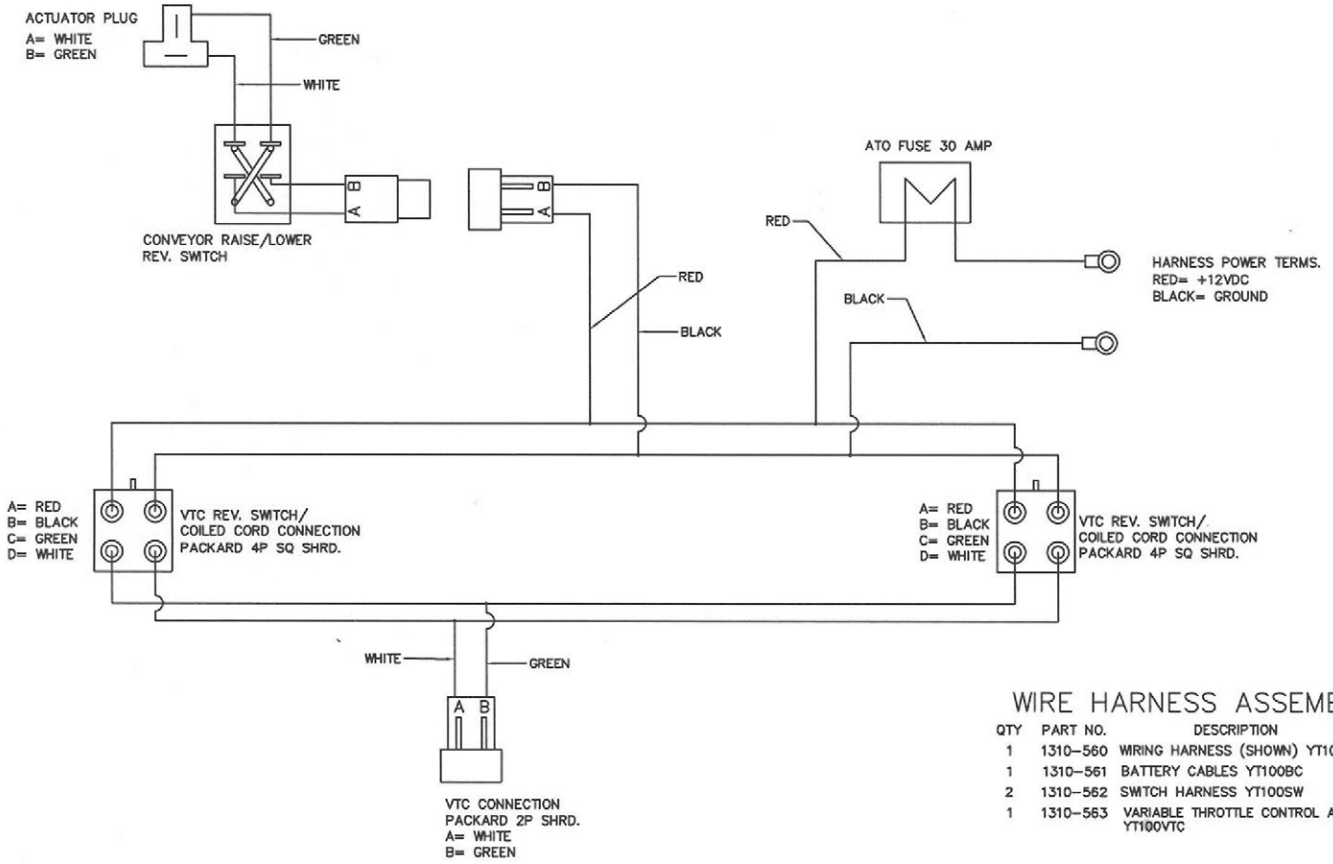
## WIRE HARNESS INSTALLATION

- 1 ATTACH (VTC) VARIABLE THROTTLE CONTROL CABLE LEAD TO HARNESS
- 2 ROUTE (+) POSITIVE BATTERY CABLE THRU TUBE CONNECT TO STARTER SOLENOID
- 3 CONNECT (+) POSITIVE BATTERY LEAD FROM HARNESS AND STARTER SOLENOID TO BATTERY
- 4 INSTALL SWITCH ON MOUNT
- 5 CONNECT ACTUATOR TO HARNESS
- 6 ATTACH THE HARNESS TO THE CONVEYOR USING 2910-328 1/2" CLAMP
- 7 INSTALL SWITCH ON MOUNT CONNECT SWITCH TO HARNESS
- 8 ATTACH (-) BATTERY GROUND LEAD TO 1/4" BOLT ON HOPPER
- 9 CONNECT (-) GROUND LEAD FROM CABLE AND HARNESS TO BATTERY



# ASSEMBLY

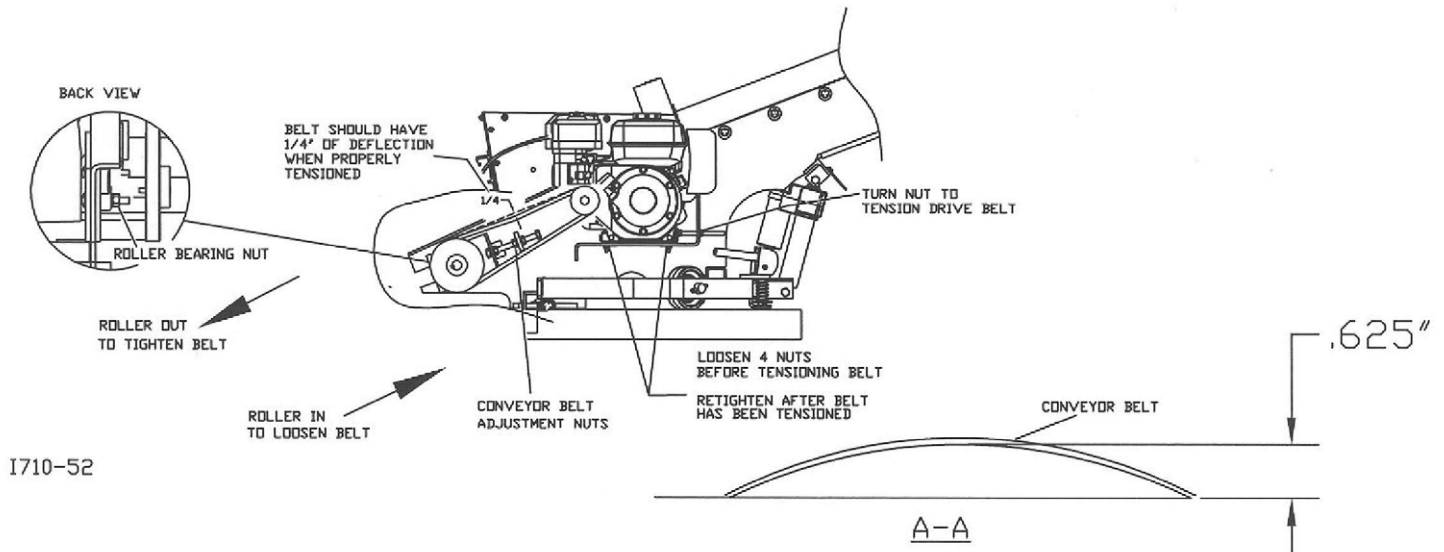
## WIRE HARNESS SCHEMATIC



# ASSEMBLY

## TENSION AND TRAIN BELTS

- ① LOOSEN ENGINE MOUNT BOLTS AND ROLLER BEARING NUTS  
TIGHTEN CONVEYOR BELT TO PROPER TENSION (SEE NOTE)
- ② TENSION DRIVE BELT TO HAVE 1/4" OF DEFLECTION  
TIGHTEN ENGINE MOUNT BOLTS
- ③ START ENGINE (LET WARM UP) OPEN THROTTLE TO ENGAGE DRIVE  
CHECK FOR ANY BELT SLIPPAGE, IF FOUND, ADD MORE TENSION TO BELT
- ④ CENTER CONVEYOR BELT ON ROLLER BY TURNING ADJUSTMENTS NUTS  
WHILE BELT IS MOVING, BELT SHOULD STAY CENTERED AT FULL THROTTLE
- ⑤ TURN OFF ENGINE  
TIGHTEN ALL LOOSE NUTS AND BOLTS



I710-52

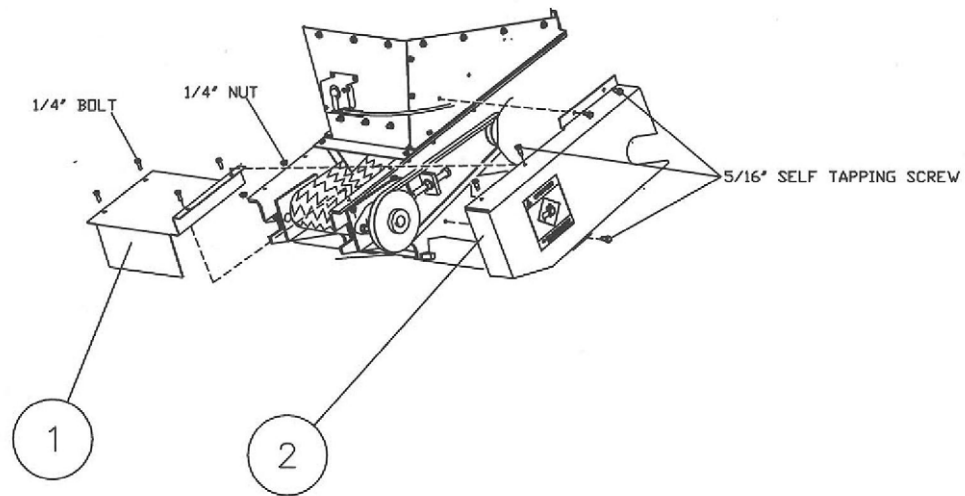
### NOTE: BELT TIGHTENING INSTRUCTIONS

Belt should be tightened before you train the belt. Tightening the belt is done on the tail roller by tightening the adjustment nuts evenly. As the belt tightens, the belt takes on an oval shape as in section A-A. The belt will be close to the correct tension when you can take a straight edge and lay across the belt (return side) and get .625" reading as shown in SECTION A-A.

# ASSEMBLY

## INSTALL BELT GAURDS

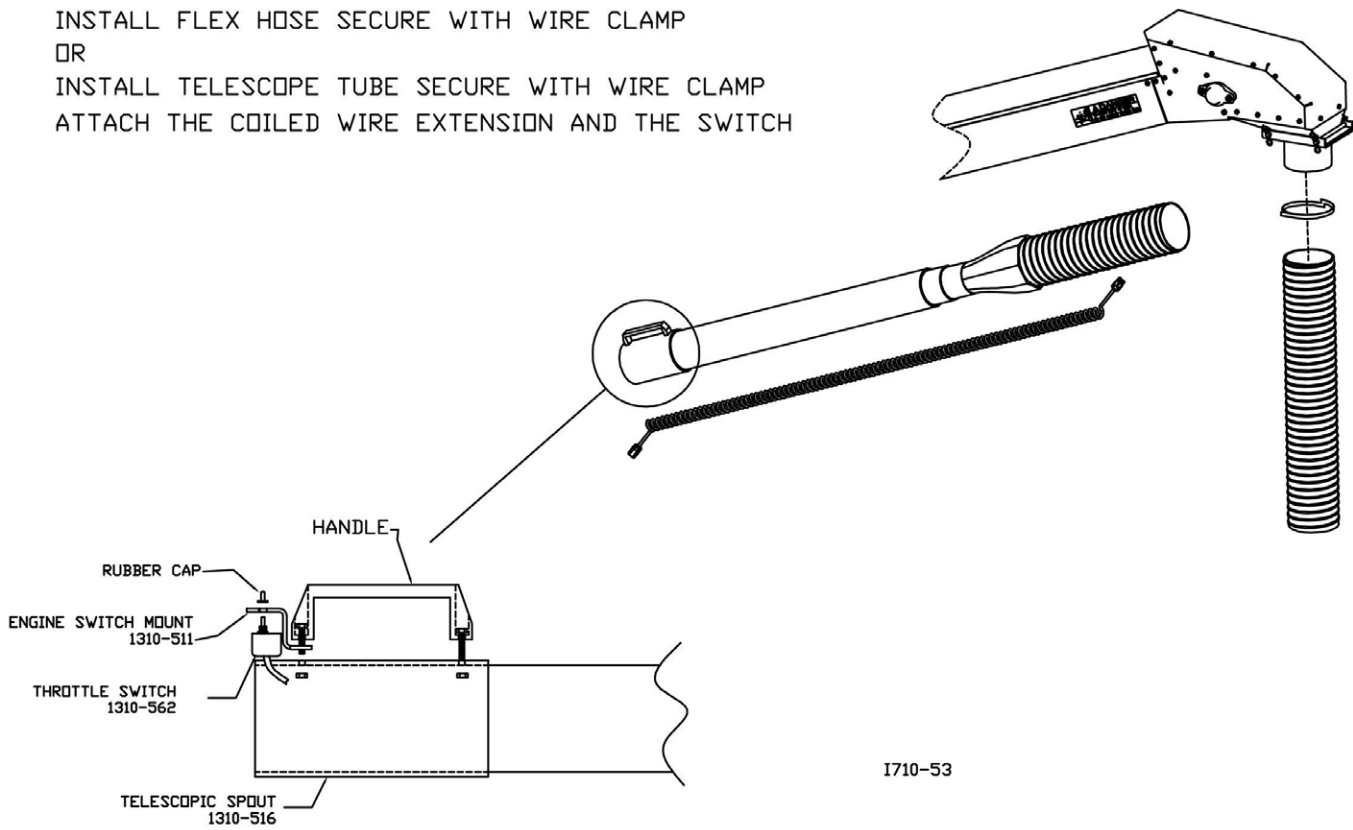
- 1 INSTALL CONVEYOR BELT GAURD USING 1/4" HARDWARE
- 2 INSTALL DRIVE BELT GAURD USING 5/16" SELF TAPPING SCREWS



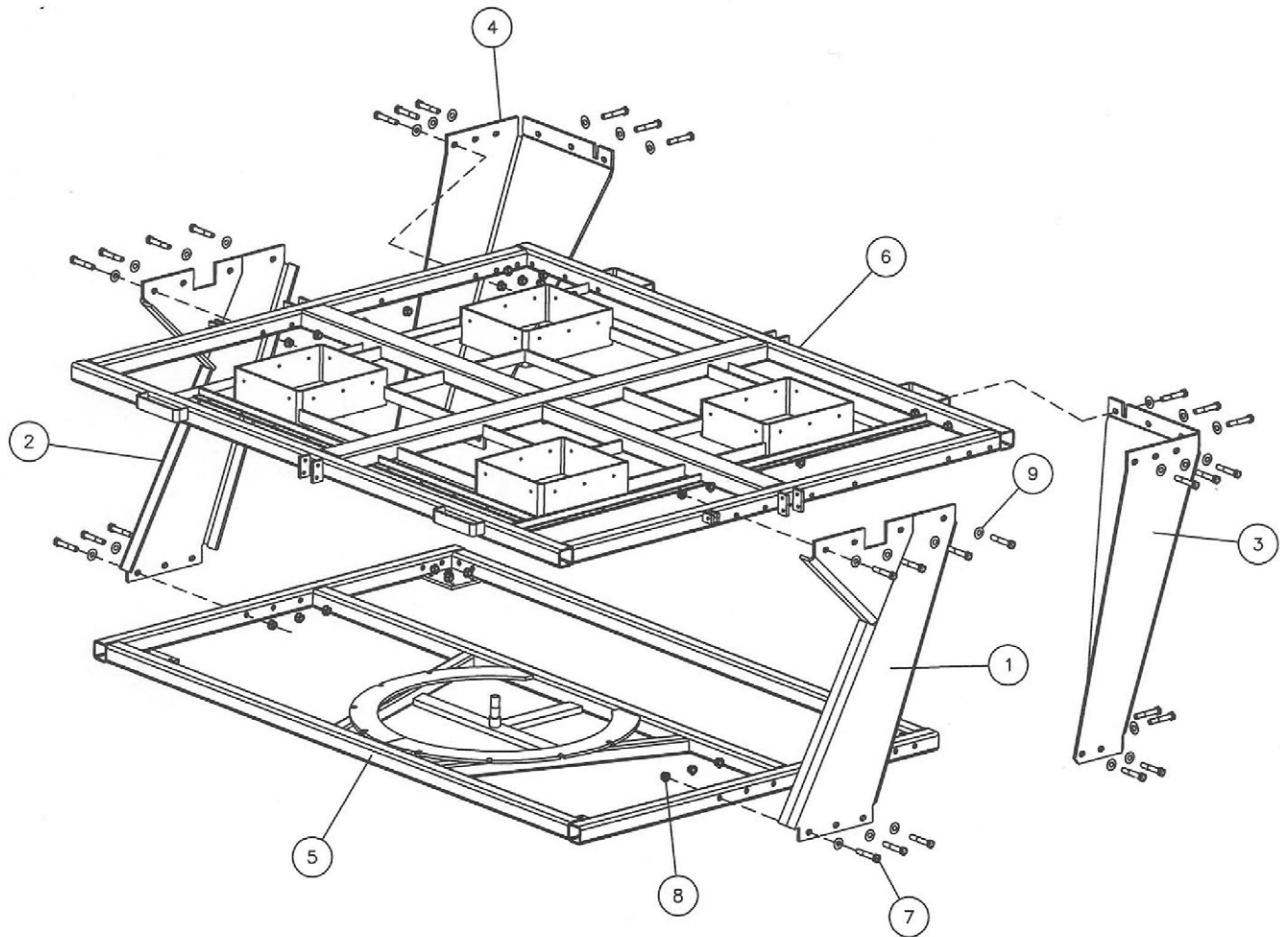
# ASSEMBLY

## INSTALL DELIVERY HOSE

INSTALL FLEX HOSE SECURE WITH WIRE CLAMP  
OR  
INSTALL TELESCOPE TUBE SECURE WITH WIRE CLAMP  
ATTACH THE COILED WIRE EXTENSION AND THE SWITCH



# PARTS IDENTIFICATION

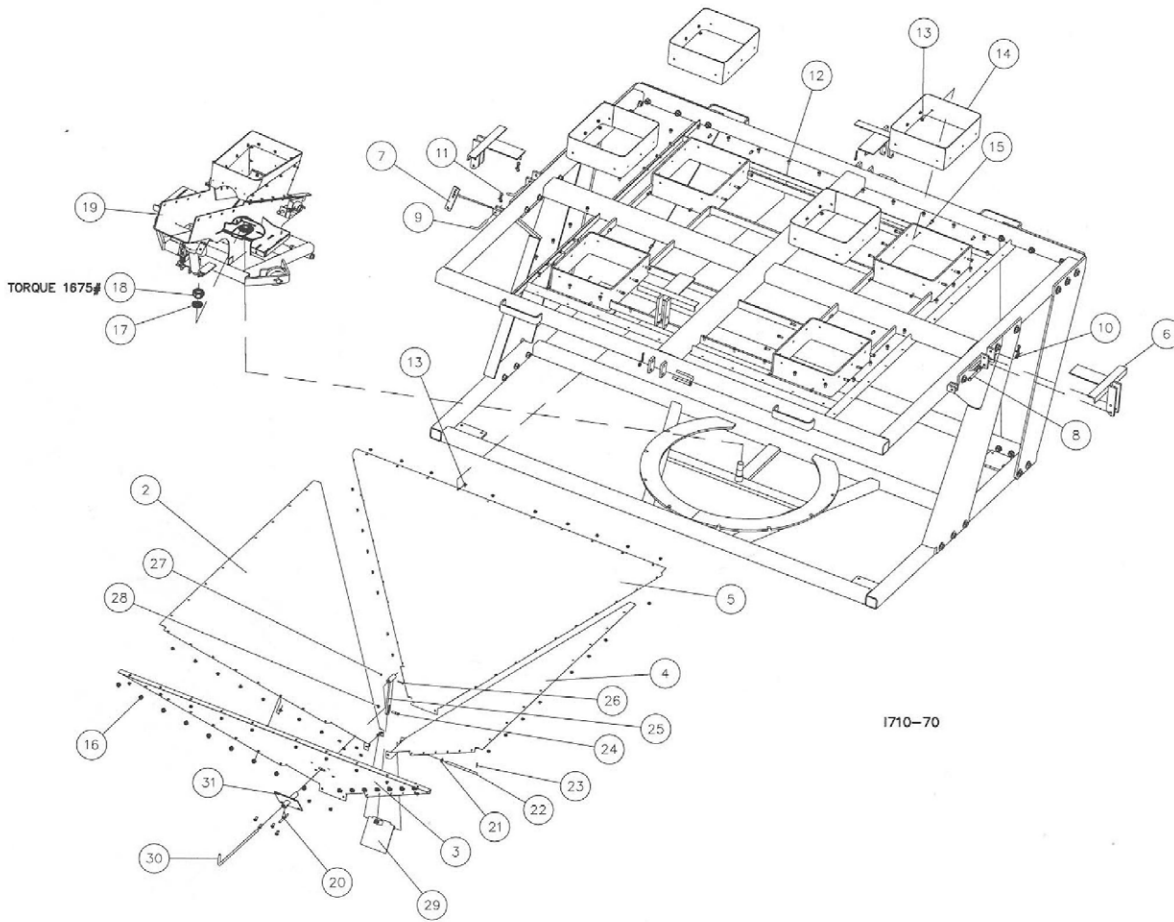


MAIN FRAME ASSEMBLY 1710-69

DET	QTY	PART NO.	DESCRIPTION
1	1	1310-245	BACK FRAME SUPPORT W.A.
2	1	1310-244	FRONT FRAME SUPPORT W.A.
3	1	1310-546	RH BACK CORNER SUPPORT
4	1	1310-547	RH FRONT CORNER SUPPORT
5	1	1310-235	MAXIMIZER BOTTOM FRAME W.A.
6	1	1310-234	MAXIMIZER FRAME TOP W.A.
7	34	2502-406	3/4-10 X 4-1/2 HHCS GR5 ZP
8	34	2520-520	3/4-10 FLANGED HEX LOCKNUT
9	34	2526-501	3/4 STANDARD FLATWASHER ZYD



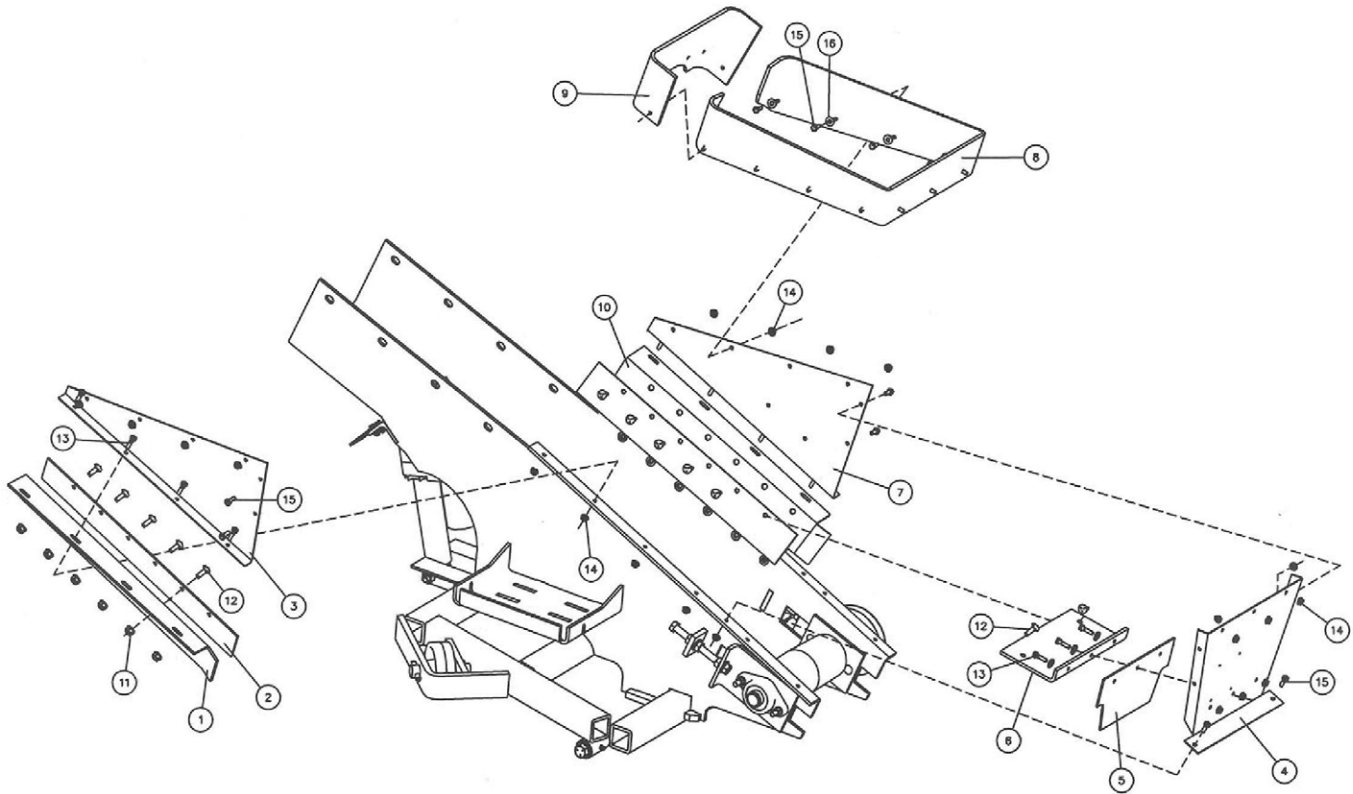
# PARTS IDENTIFICATION



1710-70

DET	QTY	PART NO.	DESCRIPTION
1	1	1310-240	MAXIMIZER FRAME WELDMENT
2	1	1310-448	FRONT HOPPER PANEL
3	1	1310-450	LEFT HOPPER PANEL
4	1	1310-449	BACK HOPPER PANEL
5	1	1310-451	RIGHT HOPPER PANEL
6	4	1310-239	BOX LOCK
7	1	1310-458	STRAP
8	4	2502-363	1/2-13 X 4-1/2 HHCS GR5 ZP
9	5	6100-321	TRANSPORT PIN LOCK ZYD
10	4	2520-357	1/2-13 LOCK HEX NUT ZP
11	5	2570-448	.120 BOWTIE LCKING COTT ZYD
12	40	2502-249	3/8-16 X 3/4 PLN FLNG HHCS GR. 2 ZP
13	119	2520-258	3/8-16 HEX FLANGE LOCK NUT ZP
14	4	1310-522	SEED CHUTE SKIRT
15	40	2502-237	3/8-16 X 1 HHCS GR 5 ZP
16	39	2502-238	3/8-16 X 1/2 FLNG HHCS GR. 2 ZP
17	1	2525-553	1-3/8 MED LOCKWASHER ZP
18	1	2520-577	1-3/8-12 UNF 2A HEX NUT ZP
19	1	1310-116	CONVEYOR ASSEMBLY
20	1	1310-249	HANDLE LOCK W.A.
21	2	2526-352	1/2 SAE FLATWASHER ZP
22	1	1310-585	PIN
23	2	2531-107	1/8 X 1 COTTER PIN ZP
24	1	2502-252	3/8-16 X 1-1/2 HHCS GR 2 ZP
25	1	1310-247	GATE LINK W.A.
26	1	2502-106	1/4 20 X 1-1/4 HHCS GR5 ZP
27	1	2520-152	1/4-20 LOCK HEX NUT ZP
28	1	2520-255	3/8-16 LOCK HEX NUT ZP
29	1	1310-248	SEED GATE W.A.
30	1	1310-576	HANDLE
31	1	1310-246	HANDLE GUIDE W.A.

# PARTS IDENTIFICATION

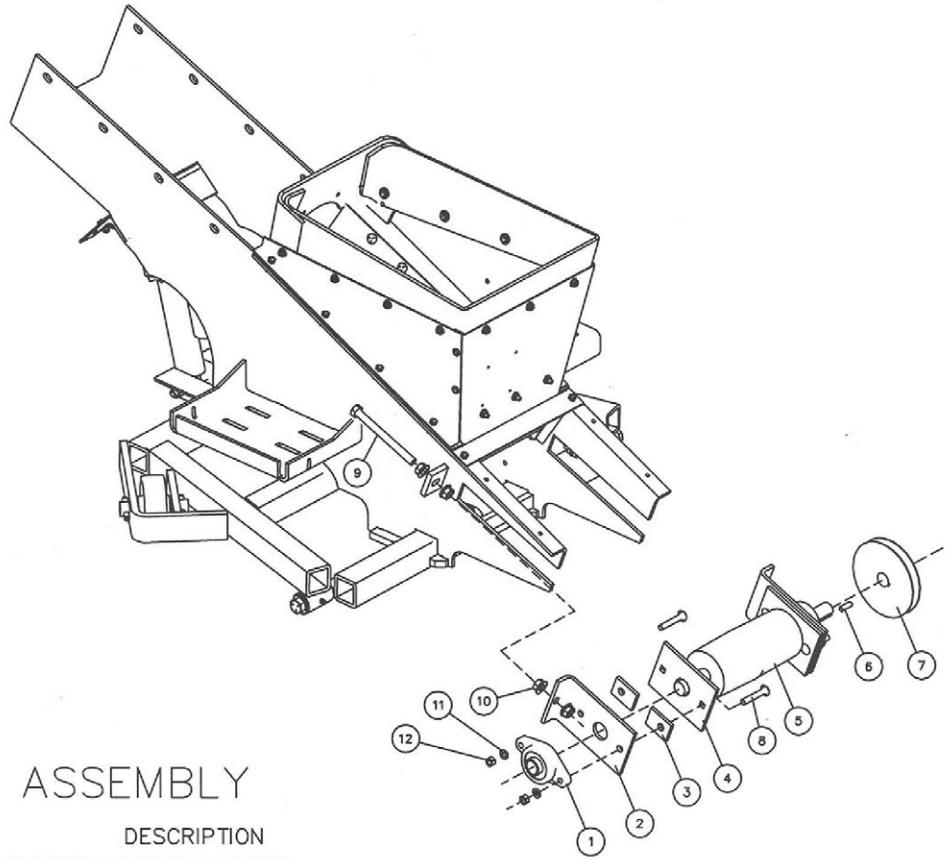


I710-57

## SEED FILL BOX ASSEMBLY

DET	QTY	PART NO.	DESCRIPTION
1	1	1310-459	BELT GUIDE LH
2	2	1310-512	BELT SKIRTING
3	1	1310-476	LH SEED BOX PANEL
4	1	1310-462	REAR SEED BOX PANEL
5	1	1310-479	FRONT SEED SPILL GUARD
6	1	1310-492	TOP SEED SPILL GUARD
7	1	1310-477	RH SEED BOX PANEL
8	1	1310-510	SEED BOX SPILL GUARD
9	1	1310-503	FRONT SEED BOX SPILL GUARD
10	1	1310-457	BELT GUIDE RH
11	12	2520-258	3/8-16 HEX FLNG LCK NUT ZP
12	12	2505-260	3/8-16 X 1 CAR BLT GR5 ZP
13	11	2502-110	1/4-20 X 1 HHCS GR5 ZP
14	30	N10217	1/4-20 UNC-2B FLNG ZP
15	19	2502-105	1/4-20 X 3/4 HHCS GR 5 ZP
16	26	2526-151	1/4 STANDARD FLATWASHER ZP

# PARTS IDENTIFICATION

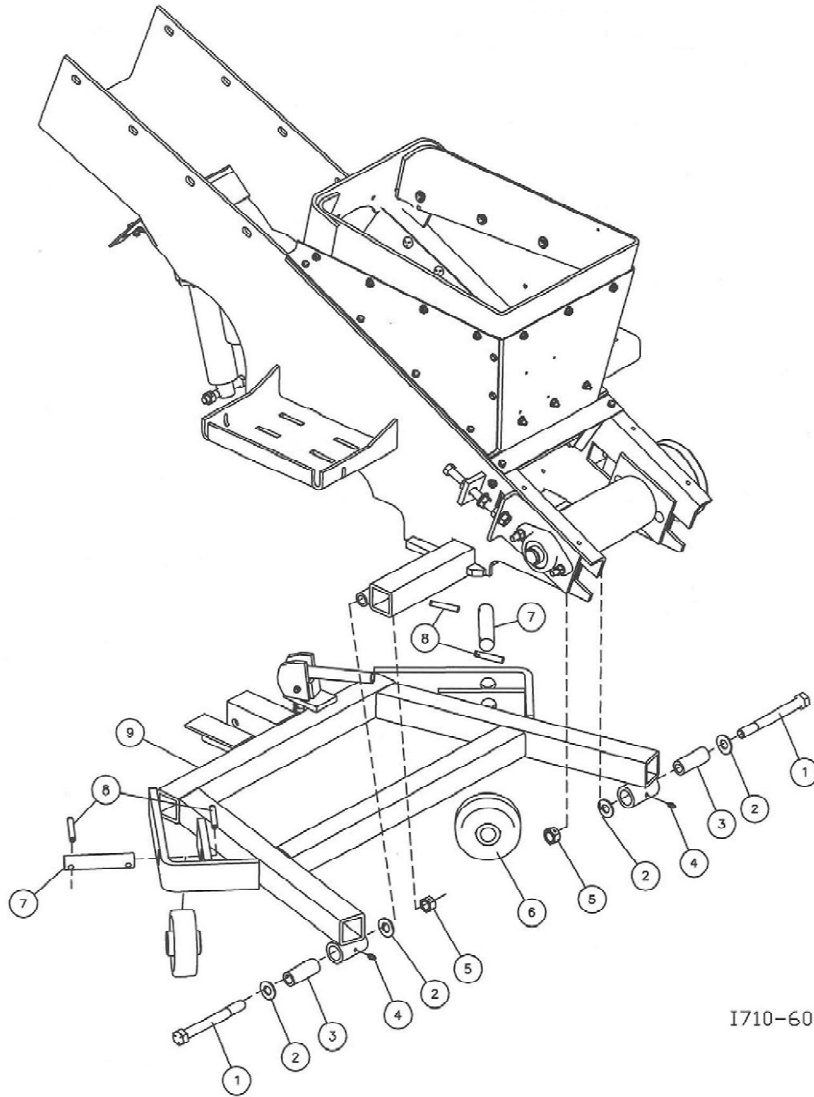


## ROLLER DRIVE ASSEMBLY

DET	QTY	PART NO.	DESCRIPTION
1	2	1310-333	FLANGE MOUNT BEARING
2	2	1310-489	BEARING MOUNT PLATE
3	4	1310-509	SPACER
4	2	1310-453	BACKING PLATE
5	1	1310-504	CROWNED LAGGED ROLLER
6	1	2590-035	1/4 X 1/4 X 1 KEY
7	1	1310-416	5.5" PULLEY-B
8	4	2505-255	3/8-16 X 2 1/4 CRBLT GR5 ZP
9	2	2502-366	1/2-13 X 5-1/2 FLL THD HHCS GR5 ZP
10	8	2520-361	1/2-13 FLNG WHZLCK HXNT ZP
11	4	2525-251	3/8 MED. LOCKWASHER ZP
12	4	2520-251	3/8-16 HEX NUT ZP

I710-58

# PARTS IDENTIFICATION

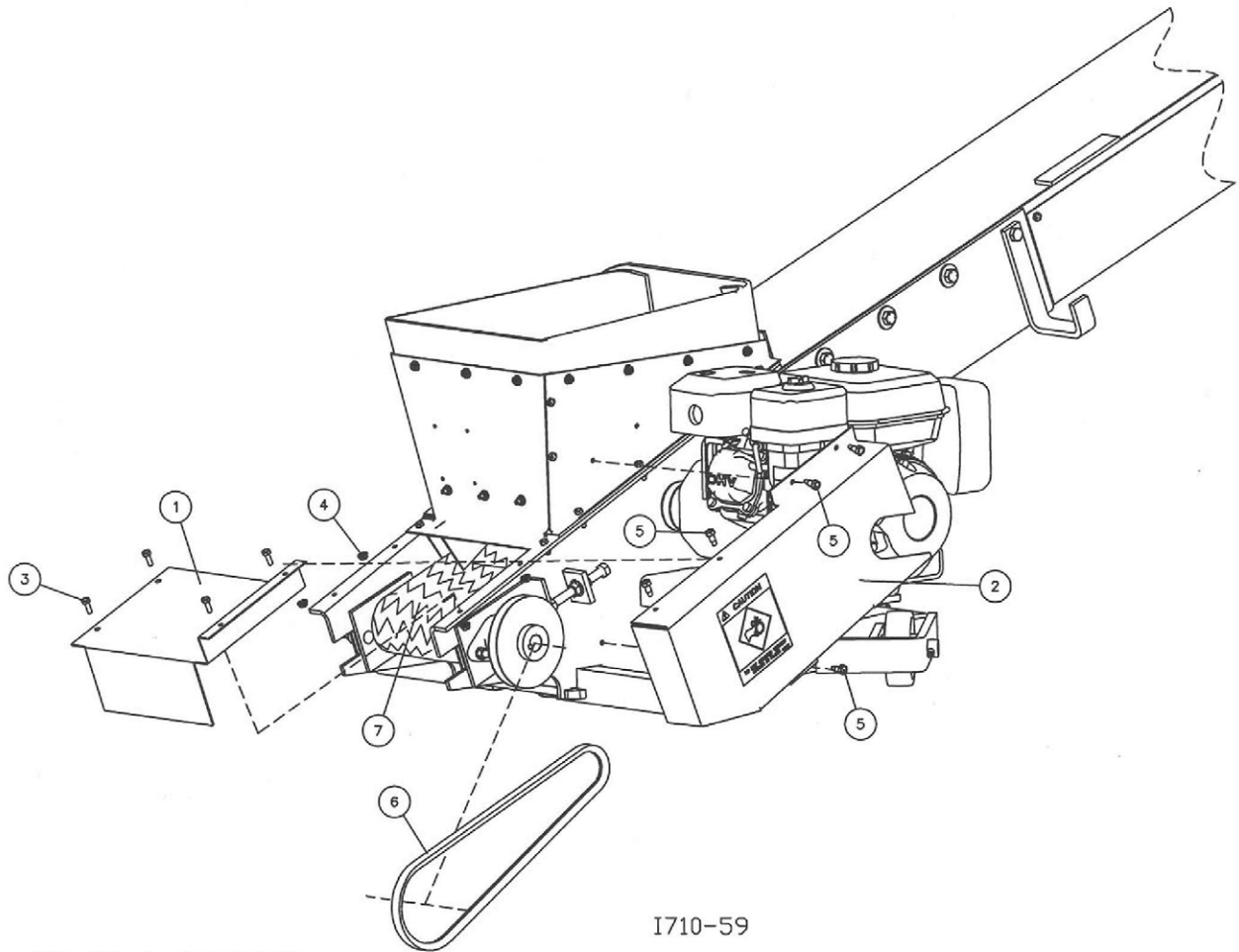


I710-60

## SWING ARM ASSEMBLY

DET	QTY	PART NO.	DESCRIPTION
1	2	2502-335	5/8-11 X 6 HHCS GR. 5 ZP
2	4	2526-453	5/8 SAE FLATWASHER ZP
3	2	1310-499	BUSHING
4	2	2533-110	1/4-28 ZERK ST SELF-TAP
5	1	2520-459	5/8-11 LOCK HEX NUT ZP
6	2	3500-390	WHEEL
7	2	1310-474	WHEEL PIN
8	4	2530-212	3/8 X 2 ROLL PIN ZP
9	1	1310-241	CONVEYOR SWING ARM W.A.

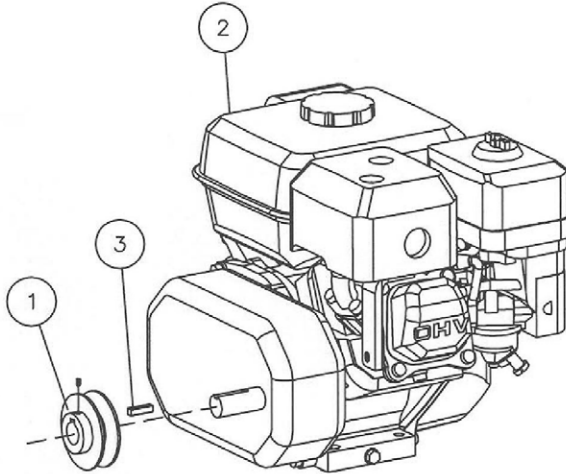
# PARTS IDENTIFICATION



## BELTS & GAURDS

DET	QTY	PART NO.	DESCRIPTION
1	1	1310-475	REAR BELT GAURD
2	1	1310-464	DRIVE BELT GAURD
3	4	2502-105	1/4-20 X 3/4 HHCS GR 5 ZP
4	4	N10217	1/4-20 UNC-2B FLANGE HEX NUT
5	5	2513-509	5/16-18X3/4TYP 23HHSTWHS YD
6	1	1310-472	BELT VBB41
7	1	1310-399	8" Z-TOP BELT

# PARTS IDENTIFICATION

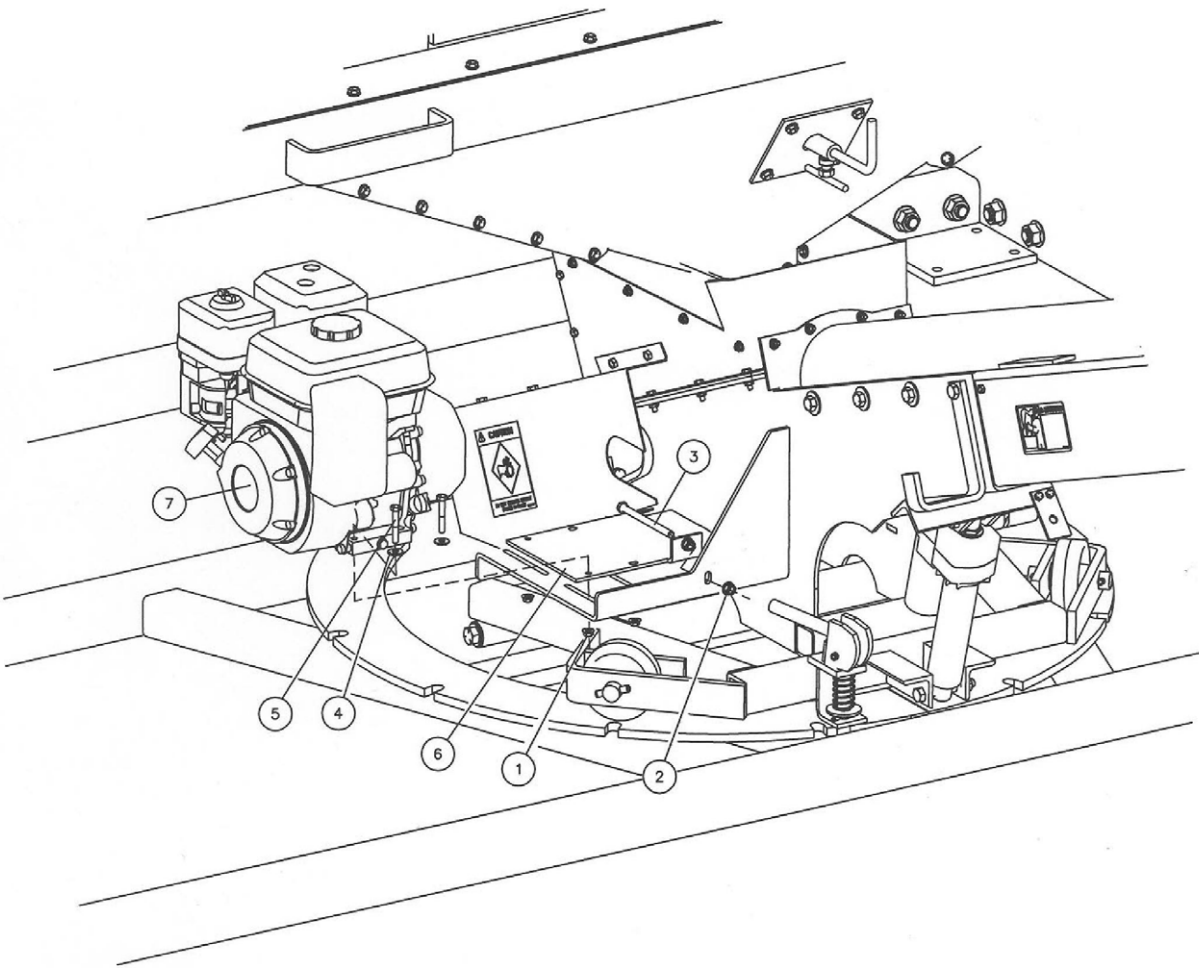


I710-56

## ENGINE ASSEMBLY

DET	QTY	PART NO.	DESCRIPTION
1	1	1310-460	DRIVE SHEAVE 3' O.D.
2	1	1310-506	HONDA 5.5HP ENGINE
3	1		7MM X 7MM X 25MM KEY SUPPLIED WITH #2

# PARTS IDENTIFICATION

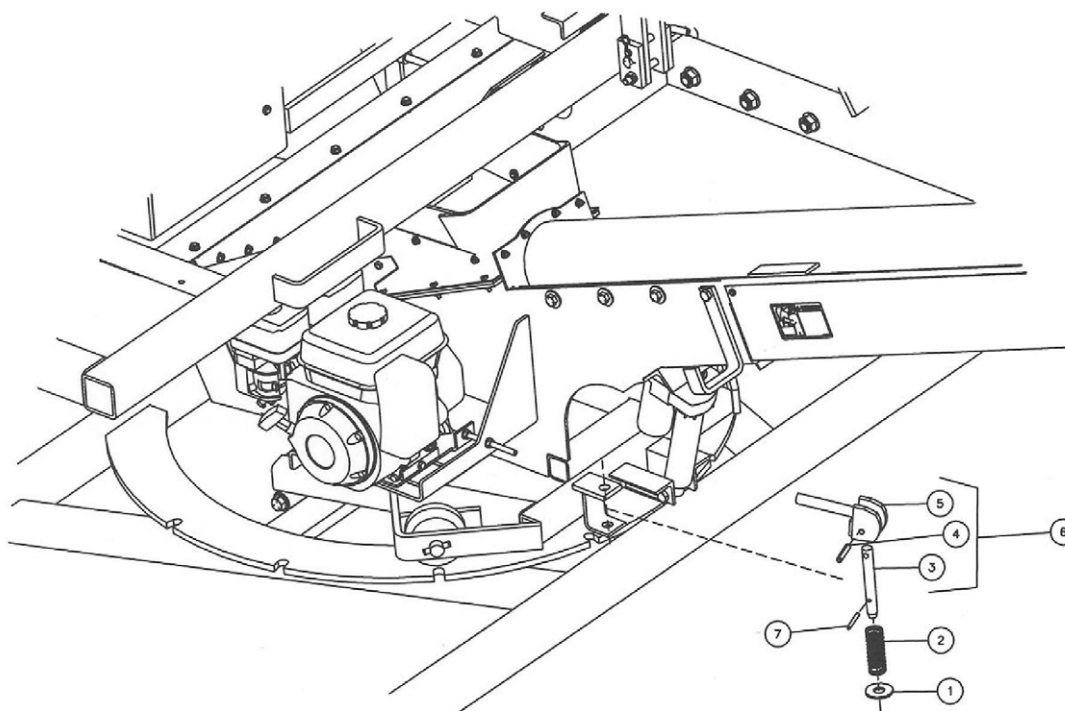


I710-55

## ENGINE MOUNT

DET	QTY	PART NO.	
1	4	2520-206	5/16-18 FLANGE LOCK NUT
2	2	2520-258	3/8-16HEX FLANGE LCK NUT ZP
3	1	2502-248	3/8-16 X 3-1/2 FLL THD HHCS GR5 ZP
4	4	2526-201	5/16STANDARD FLATWASHER ZP
5	4	2502-207	5/16-18 X 2 HHCS GR5 ZP
6	1	1310-478	ENGINE MOUNT TRAY
7	1	1310-506	HONDA 5.5HP #GX160U1YET

# PARTS IDENTIFICATION



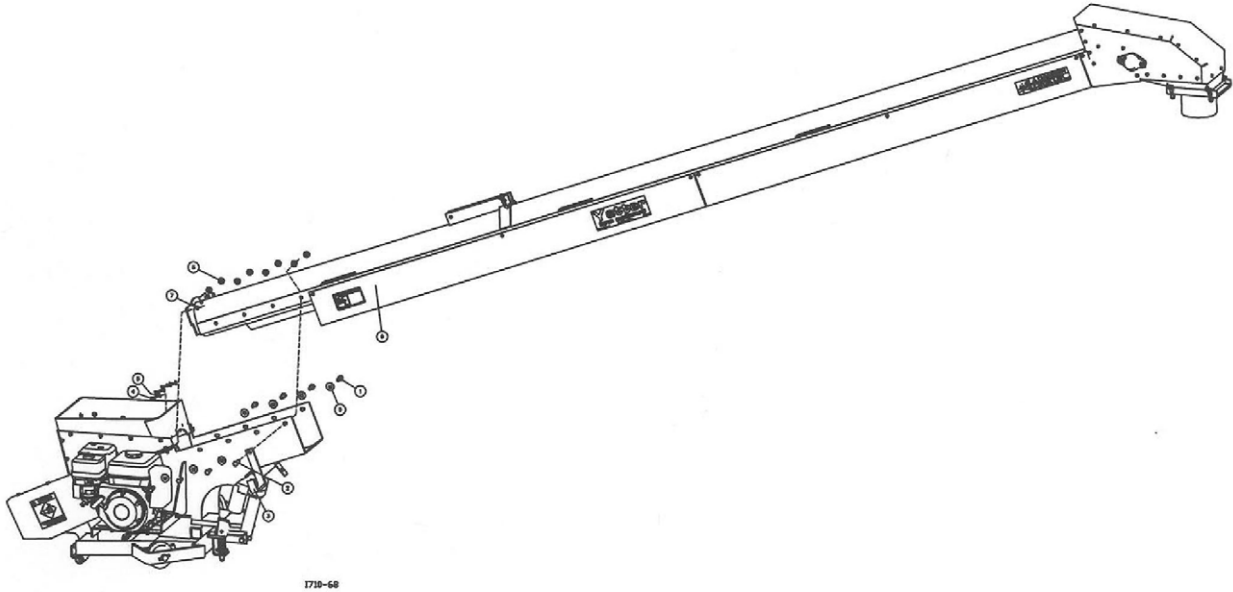
I710-54

## CAM LOCK ASSEMBLY

DET	QTY	PART NO.	DESCRIPTION
1	1	2526-501	3/4 STANDARD FLATWASHER ZP
2	1	2550-732	THROW OUT CLUTCH COMP SPRING
3	1	2000-388	LOCK PIN
4	1	2530-212	3/8 X 2 ROLL PIN Z.P
5	1	2000-229	CAM LOCK W.A.
6	1	2000-163	CAM LOCK ASSEMBLY
7	1	2530-153	1/4 X 2 ROLL PIN ZP



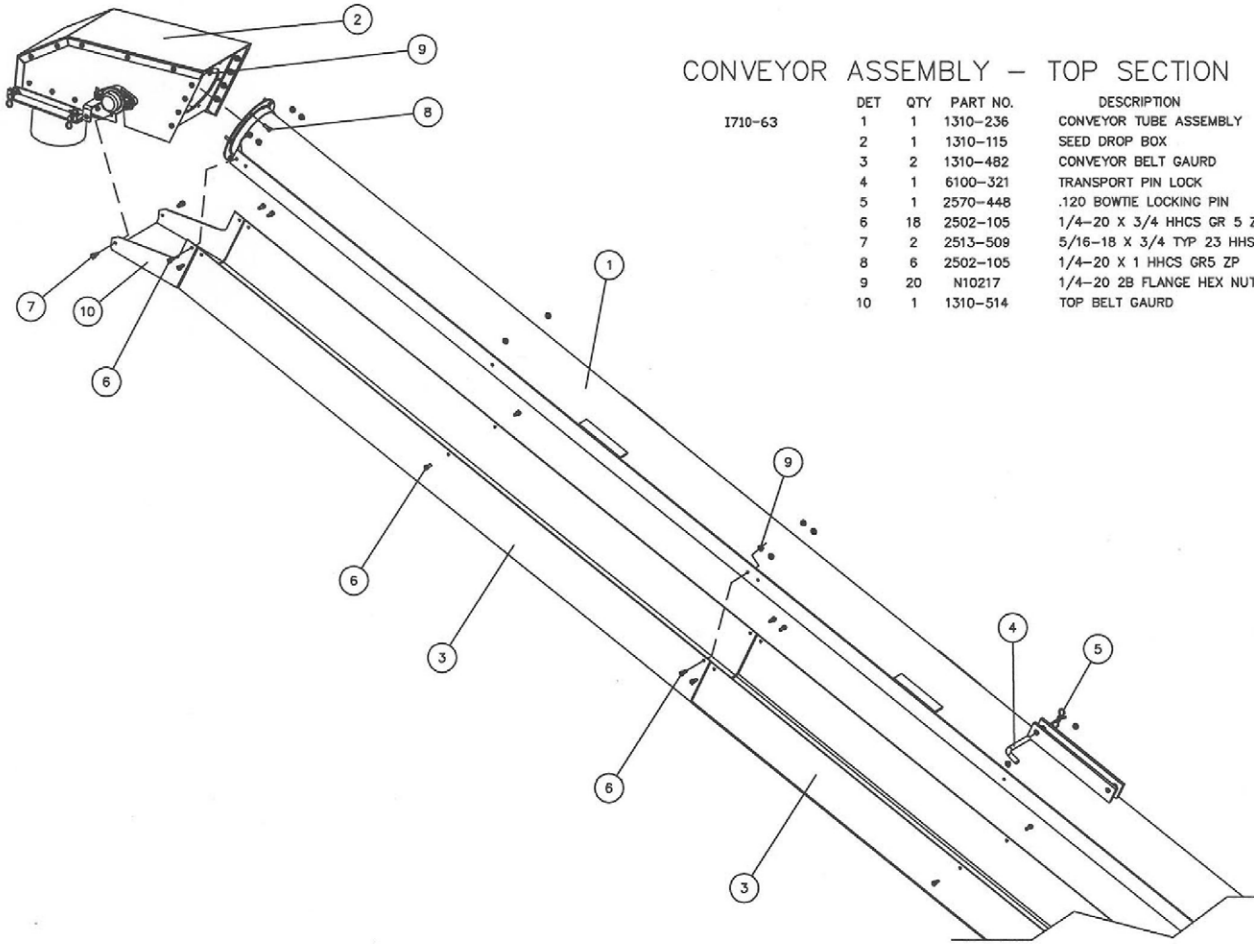
# PARTS IDENTIFICATION



## CONVEYOR TUBE ATTACHMENT

DET	QTY	PART NO.	DESCRIPTION
1	7	2502-293	1/2-13 X 1-1/4 HHCS GR5 YD
2	1	2502-294	1/2-13 X 1-1/2 HHCS GR5 YD
3	1	1310-444	TELESCOPE HANGER
4	4	2502-110	1/4-20 X 1 HHCS GR 5 ZP
5	4	2526-151	1/4 STANDARD FLATWASHER ZP
6	1	1310-125	CONVEYOR TUBE ASSEMBLY
7	4	N10217	1/4-20 UNC-2B FLANGE NUT
8	8	2520-361	1/2-13 FLNGE WHZLCK HXNT ZP
9	7	2526-351	1/2 STANDARD FLATWASHER ZP

# PARTS IDENTIFICATION



CONVEYOR ASSEMBLY - TOP SECTION

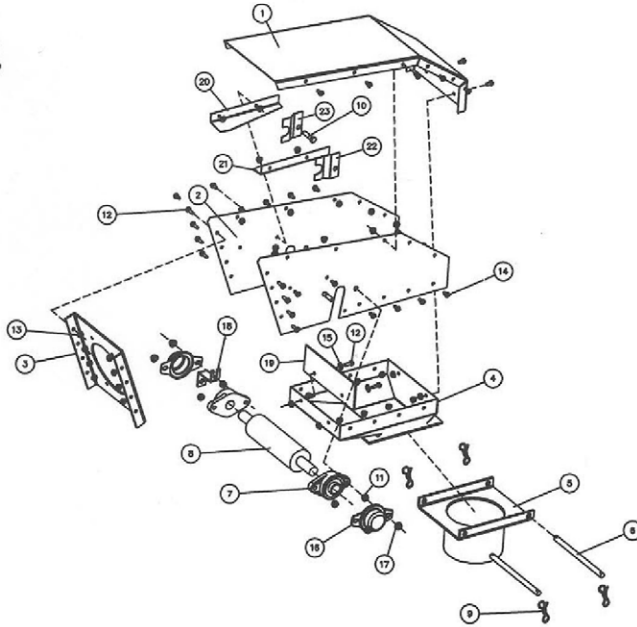
DET	QTY	PART NO.	DESCRIPTION
I710-63	1	1310-236	CONVEYOR TUBE ASSEMBLY
	1	1310-115	SEED DROP BOX
	2	1310-482	CONVEYOR BELT GAIRD
	1	6100-321	TRANSPORT PIN LOCK
	1	2570-448	.120 BOWTIE LOCKING PIN
	18	2502-105	1/4-20 X 3/4 HHCS GR 5 ZP
	2	2513-509	5/16-18 X 3/4 TYP 23 HHSTWHS YD
	6	2502-105	1/4-20 X 1 HHCS GR5 ZP
	20	N10217	1/4-20 2B FLANGE HEX NUT ZP
	1	1310-514	TOP BELT GAIRD

# PARTS IDENTIFICATION

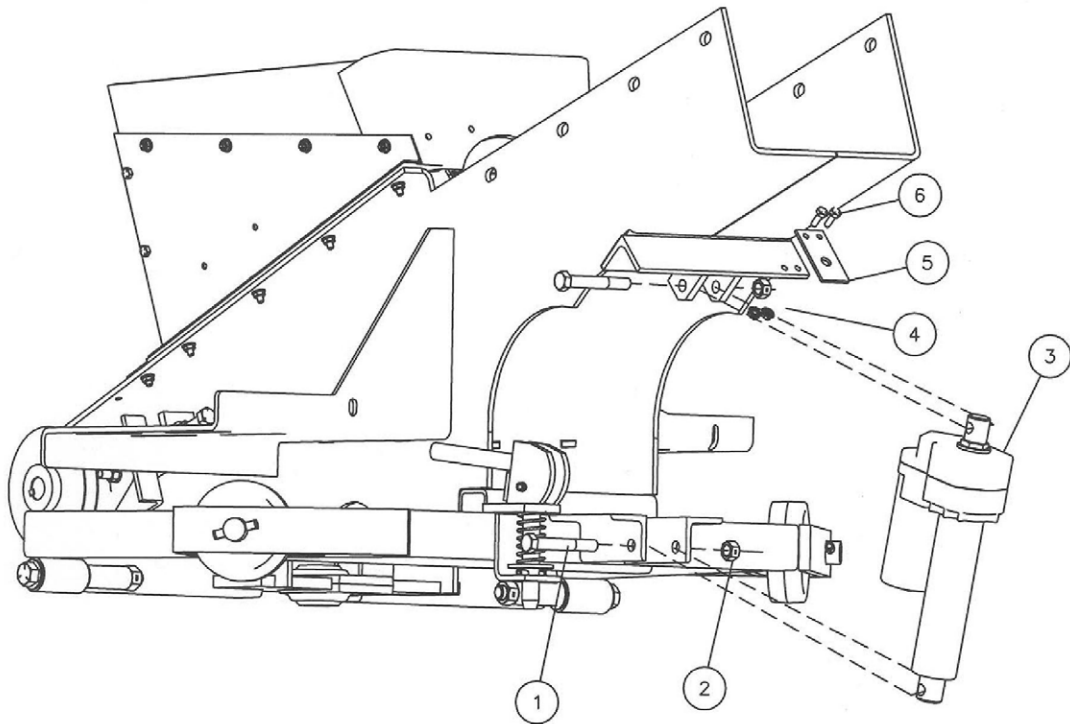
## SEED DROP BOX ASSEMBLY

1710-67

DET	QTY	PART NO.	DESCRIPTION
1	1	1310-524	TOP COVER
2	2	1310-523	SIDE PLATE
3	1	1310-463	FLANGE MOUNT
4	1	1310-242	SEED DROP HOPPER W.A.
5	1	1310-238	SEED DROP ATTACHMENT
6	2	1310-441	ATTACHMENT BAR
7	2	1310-333	FLANGE MOUNT BEARING
8	1	1310-334	FLAT LAGGED ROLLER
9	4	2570-448	.120 BOWTIE LOCKING COTT
10	4	2502-232	3/8-16 X 1 1/2 HHCS
11	4	2520-255	3/8-16 LOCK HEX NUT
12	10	2502-105	1/4-20 X 3/4 HHCS
13	34	N10217	1/4-20 2B FLANGE HEX NUT ZP
14	24	2502-104	1/4-20 X 1/2 HHCS
15	2	2526-151	1/4 STANDARD FLATWASHER ZP
16	2	1310-517	BEARING COVER
17	4	2520-258	3/8-16HEX FLANGE LCK NUT ZP
18	1	1310-511	SWITCH MOUNT
19	1	1310-488	SEED SPILL GAURD
20	1	1310-572	SEED GAURD
21	1	1310-571	SEED GAURD
22	1	1310-573	SEED GAURD
23	1	1310-574	SEED GAURD



## PARTS IDENTIFICATION

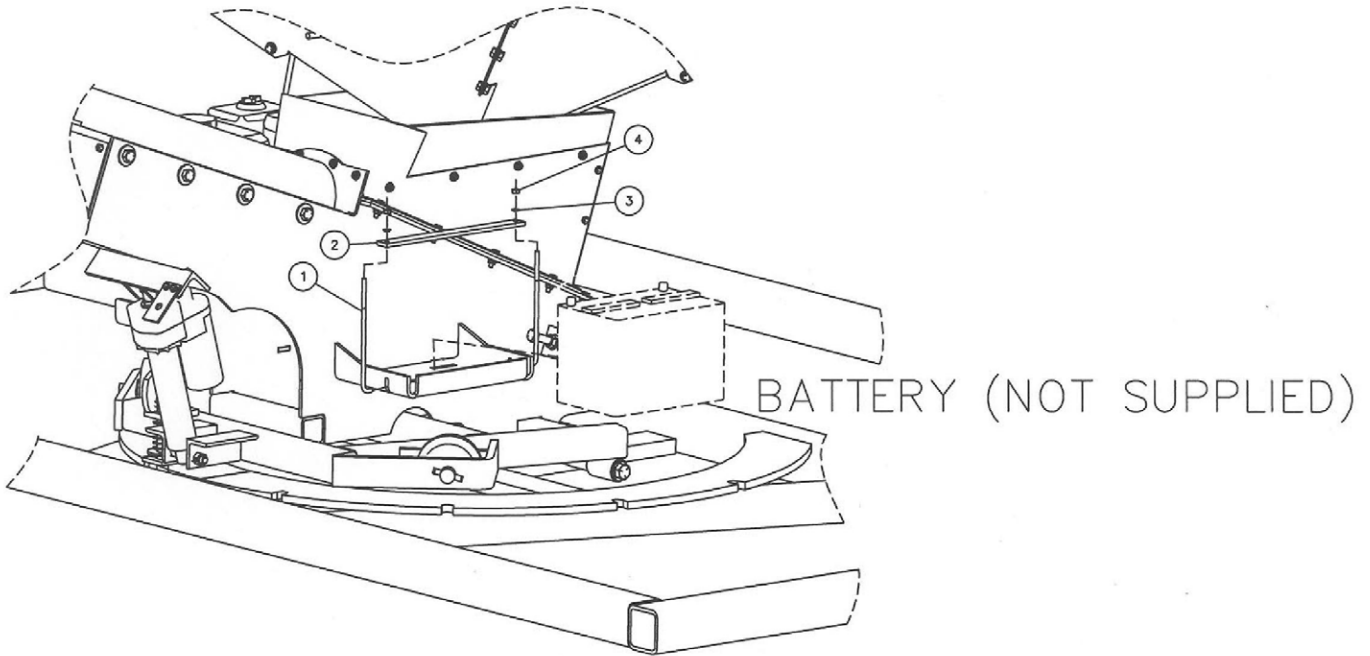


## ACTUATOR ASSEMBLY

I710-62

DET	QTY	PART NO.	DESCRIPTION
1	2	2502-358	1/2-13 X 3 1/2 HHCS G8 ZP
2	2	2520-357	1/2-13 LOCK HEX NUT ZP
3	1	1310-501	LINEAR ACTUATOR 2200LB
4	2	N10217	1/4-20 UNC-2B FLANGE NUT
5	1	1310-468	ACTUATOR SWITCH MOUNT
6	2	2502-105	1/4-20 X 3/4 HHCS GR 5 ZP

# PARTS IDENTIFICATION

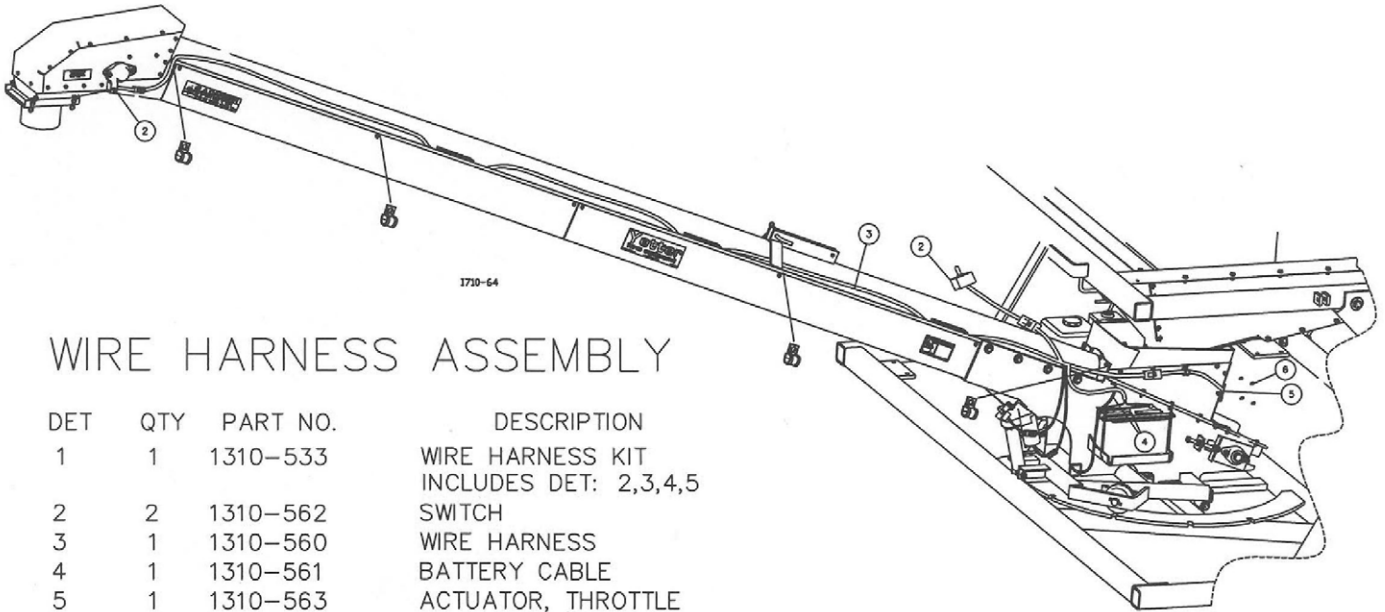


I710-61

## BATTERY ASSEMBLY

DET	QTY	PART NO.	DESCRIPTION
1	2	1300-407	J-BOLT 1/4-20 X 7 1/2 ZP
2	1	1310-555	BATTERY STRAP
3	2	2525-151	1/4 MED. LOCKWASHER ZP
4	2	2520-151	1/4-20 HEX NUT ZP

# PARTS IDENTIFICATION



## WIRE HARNESS ASSEMBLY

DET	QTY	PART NO.	DESCRIPTION
1	1	1310-533	WIRE HARNESS KIT INCLUDES DET: 2,3,4,5
2	2	1310-562	SWITCH
3	1	1310-560	WIRE HARNESS
4	1	1310-561	BATTERY CABLE
5	1	1310-563	ACTUATOR, THROTTLE
6	4	2513-501	SCREW #10-1/2"
7	8	2910-328	1/2" CLAMP

# PARTS IDENTIFICATION



2565-162 YETTER DECAL, 1-1/2 X 4-1/2 (QTY 2)



2565-800 'CAUTION' DECAL (QTY 1)



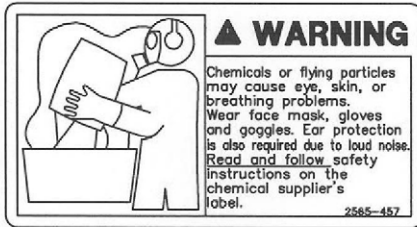
2565-800 MARKER DANGER DECAL (QTY 2)



2565-058 YETTER FARM EQUIPMENT DECAL 3-7/16X10-5/16 (QTY 2)

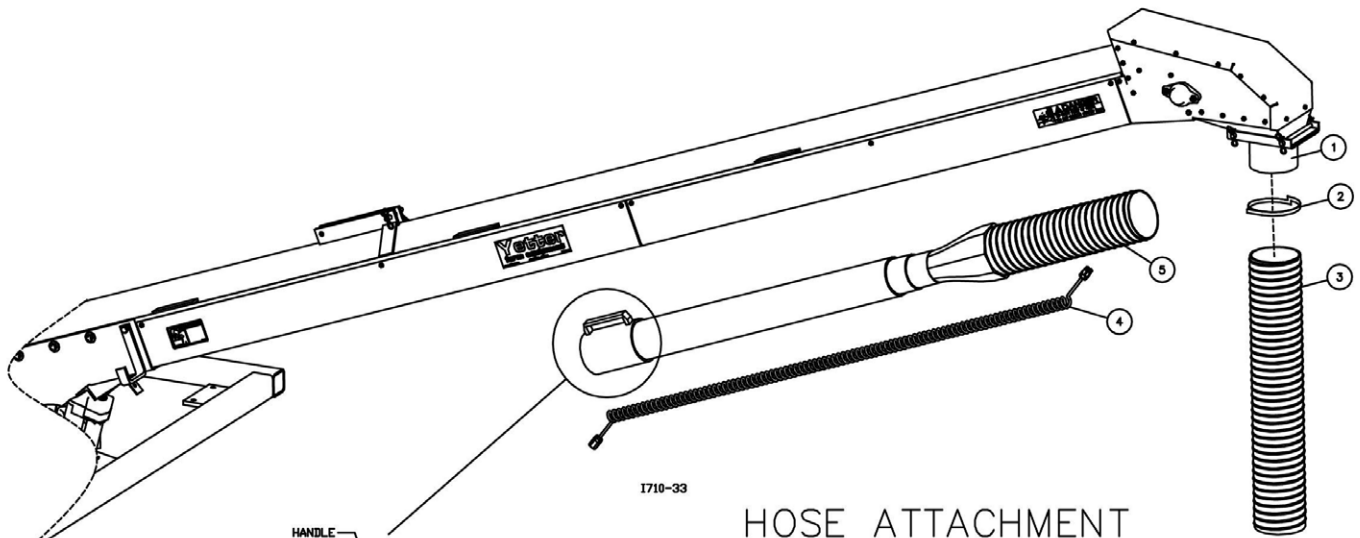


2565-687 GUARD CAUTION DECAL (QTY 1)

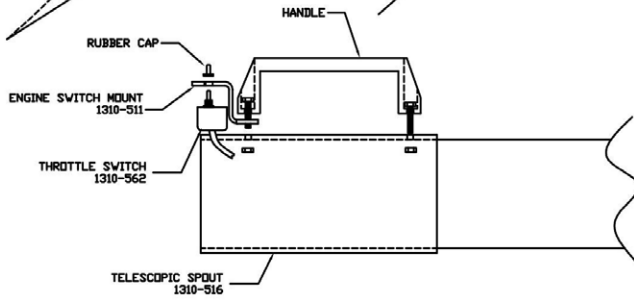


2565-457 EYE, EAR, AND FACE WARNING DECAL (QTY 2)

# PARTS IDENTIFICATION



## HOSE ATTACHMENT



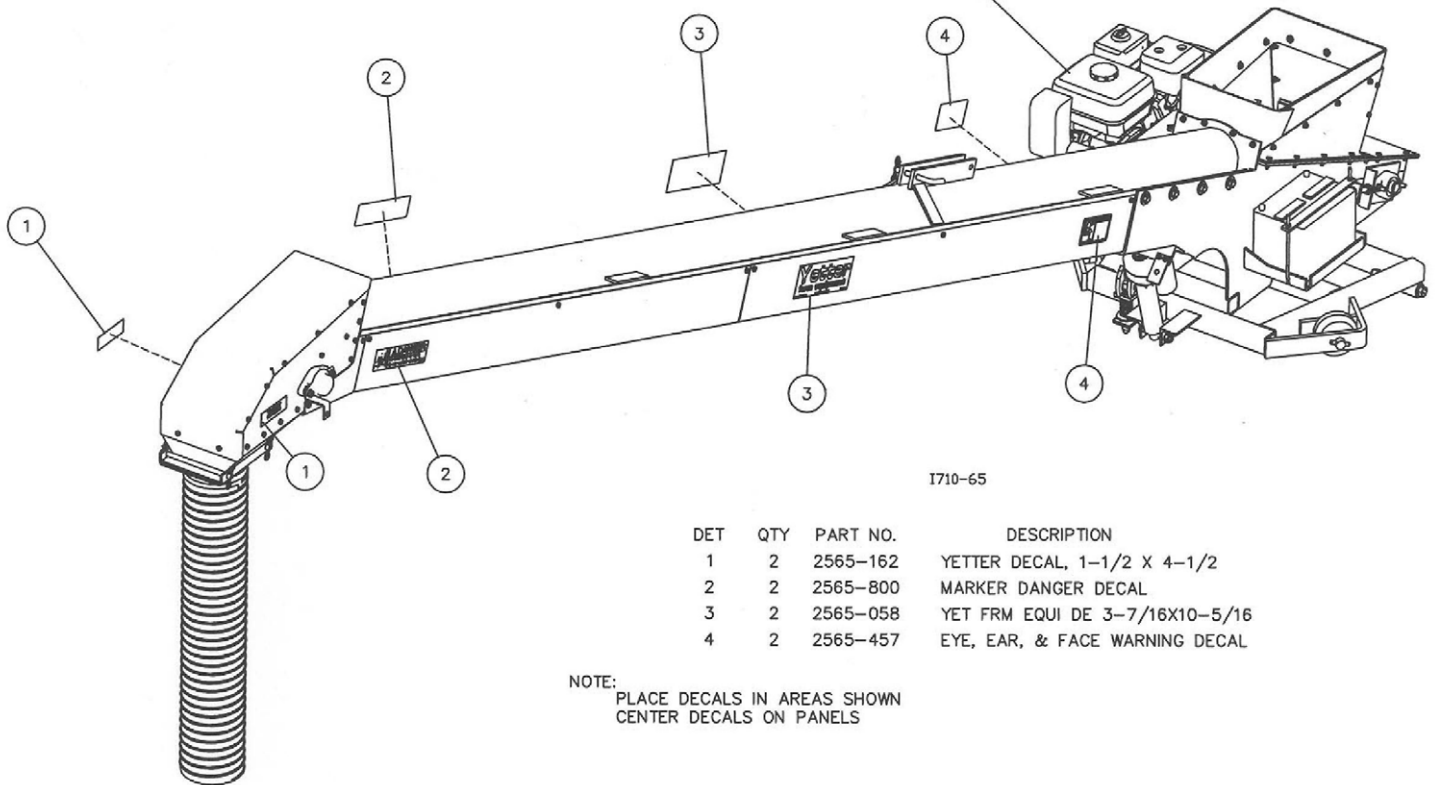
DET	QTY	PART NO.	DESCRIPTION
1	1	1310-238	SEED DROP ATTACHMENT W.A.
2	1	1310-490	WIRE DUCT CLAMP
3	1	1310-525	FLEX HOSE
4	1	1310-527	COILED WIRE
5	1	1310-516	TELESCOPING TUBE 7'-16'
6	1	1310-011	16FT TELESCOPIC TUBE KIT (OPTIONAL)

INCLUDES DET: 6, 2, 3, 4



# PARTS IDENTIFICATION

PLACE FUEL SHUT OFF DECAL HERE  
DECAL SUPPLIED WITH ENGINE

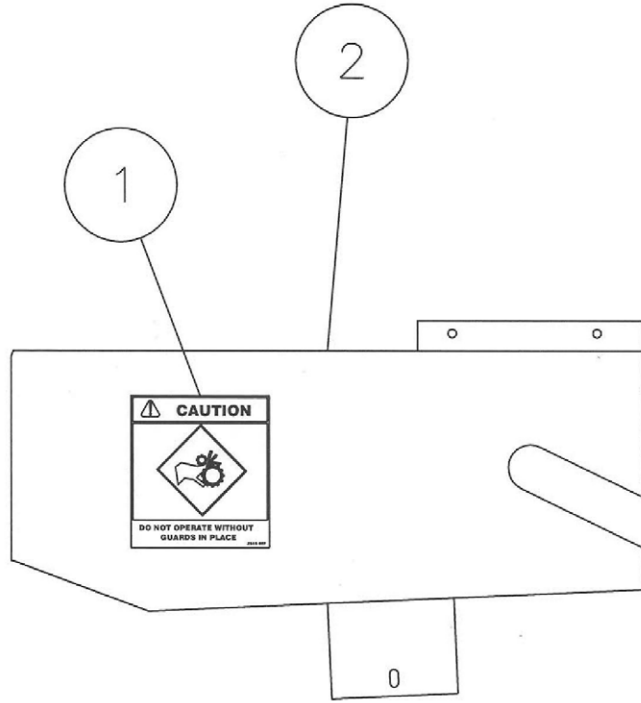


I710-65

DET	QTY	PART NO.	DESCRIPTION
1	2	2565-162	YETTER DECAL, 1-1/2 X 4-1/2
2	2	2565-800	MARKER DANGER DECAL
3	2	2565-058	YET FRM EQUI DE 3-7/16X10-5/16
4	2	2565-457	EYE, EAR, & FACE WARNING DECAL

NOTE:  
PLACE DECALS IN AREAS SHOWN  
CENTER DECALS ON PANELS

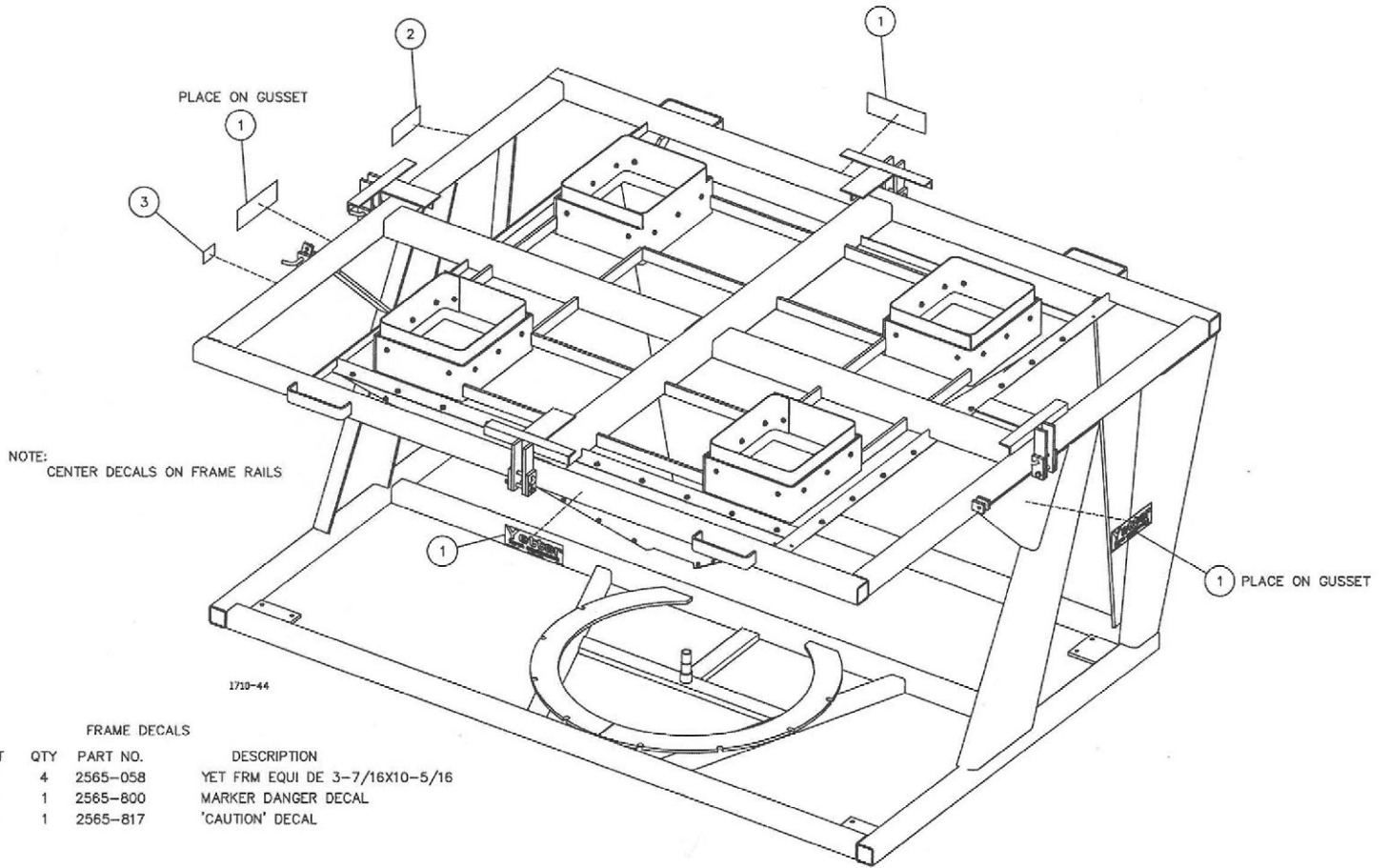
# PARTS IDENTIFICATION



I710-66

DET	QTY	PART NO.	DESCRIPTION
1	1	2565-687	GUARD CAUTION DECAL
2	1	1310-464	DRIVE BELT GAURD

# PARTS IDENTIFICATION



# Our name Is getting known

Just a few years ago, Yetter products were sold primarily to the Midwest only. Then we embarked on a program of expansion and moved into the East, the South, the West and now north into Canada. We're even getting orders from as far away as Australia and Africa.

So, when you buy Yetter products . . .you're buying a name that's recognized. A name that's known and respected. A name that's become a part of American agriculture and has become synonymous with quality and satisfaction in the field of conservation tillage.

Thank you.

**YETTER MANUFACTURING CO.**

Colchester, IL 62326-0358 • 309/776-4111

Toll Free 800/447-5777

Fax 309/776-3222

Website: [WWW.YETTERCO.COM](http://WWW.YETTERCO.COM)

E-MAIL: [INFO@YETTERCO.COM](mailto:INFO@YETTERCO.COM)

2565-757\_REV\_B • 01/2011