



2967-037

TITAN™

**RESIDUE MANAGER
FOR
JOHN DEERE COULTER**

**OPERATOR'S MANUAL
PART IDENTIFICATION**

2565-693_REV_B 02/2016



YETTER MANUFACTURING CO.

FOUNDED 1930

Colchester, IL 62326-0358

Toll free: 800/447-5777

309/776-3222 (Fax)

Website: www.yetterco.com

E-mail: info@yetterco.com

YETTER

FOREWORD

You've just joined an exclusive but rapidly growing club.

For our part, we want to welcome you to the group and thank you for buying a Yetter product.

We hope your new Yetter products will help you achieve both goals-increase your productivity and increase your efficiency so that you may generate more profit.

This operator's manual has been designed into four major sections: Foreword, Safety Precautions, Installation Instructions and Parts Breakdown.



This **SAFETY ALERT SYMBOL** indicates important safety messages in the manual. When you see this symbol, be alert to the possibility of **PERSONAL INJURY** and carefully read the message that follows.

The word **NOTE** is used to convey information that is out of context with the manual text. It contains special information such as specifications, techniques and reference information of a supplementary nature.

The word **IMPORTANT** is used in the text when immediate damage will occur to the machine due

to improper technique or operation. Important will apply to the same information as specified by note only of an immediate and urgent nature.

It is the responsibility of the user to read the operator's manual and comply with the safe and correct operating procedure and to lubricate and maintain the product according to the maintenance schedule in the operator's manual.

The user is responsible for inspecting his machine and for having parts repaired or replaced when continued use of the product would cause damage or excessive wear to the other parts.

It is the user's responsibility to deliver his machine to the Yetter dealer who sold him the product for service or replacement of defective parts, which are covered by the warranty policy.

If you are unable to understand or follow the instructions provided in this publication, consult your local Yetter dealer or contact:

YETTER MANUFACTURING CO.

309/776-4111

800/447-5777

309/776-3222 (FAX)

Website: www.yetterco.com

E-mail: info@yetterco.com

WARRANTY

Yetter Manufacturing warrants all products manufactured and sold by it against defects in material. This warranty being expressly limited to replacement at the factory of such parts or products as shall appear to be defective after inspection. This warranty does not obligate the Company to bear cost of labor in replacement of parts. It is the policy of the Company to make improvements without incurring obligations to add them to any unit already sold. No warranty is made or authorized to be made, other than herein set forth. This warranty is in effect for one year after purchase.

DEALER: _____

Yetter Manufacturing warrants its own products only and cannot be responsible for damages to equipment on which mounted.

SAFETY

A brief description of signal words that may be used in this manual:

CAUTION: Used as a general reminder of good safety practices or to direct attention to unsafe practices.

WARNING: Denotes a specific potential hazard.

DANGER: Denotes the most serious specific potential hazard.

SAFETY PRECAUTIONS

You can make your farm a safer place to live and work if you observe the safety precautions given. Study these precautions carefully and insist that those working with you and for you follow them.

Finally, remember this: an accident is usually caused by someone's carelessness, neglect or oversight.



WARNING

Never clean, lubricate or adjust a machine that is in motion. Always lower or block the implement before performing service.

If the machine must be serviced in the raised position, jack or block it up to prevent it from accidentally falling and injuring someone.

Do not allow riders on the tractor or implement.

Use speeds and caution dictated by the terrain being traversed. Do not operate on any slope steep enough to cause tipping or loss of control.

Be sure all personnel are clear of the immediate area before operating.

Read and understand the operator's manual and require all other persons who will operate the equipment to do the same.

Be familiar with all tractor and implement controls and be prepared to stop engine and implements quickly in an emergency.



CAUTION

Consult your implement and tractor operator's manual for correct and safe operating practices.

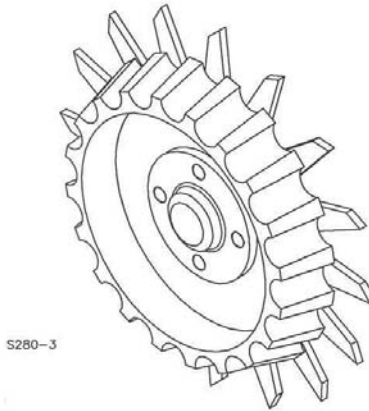
Beware of towed implement width and allow safe clearance.

FAILURE TO HEED MAY RESULT IN PERSONAL INJURY OR DEATH.

TABLE OF CONTENTS

Introduction.....	pg. 2
Warranty.....	pg. 2
Safety Information.....	pg. 3
Table of Contents.....	pg. 4
Optional Equipment.....	pg. 4
Installation Instruction.....	pg.5-7
Operation.....	pg. 8
Maintenance.....	pg. 8
Parts Identification.....	pg. 9

OPTIONAL EQUIPMENT



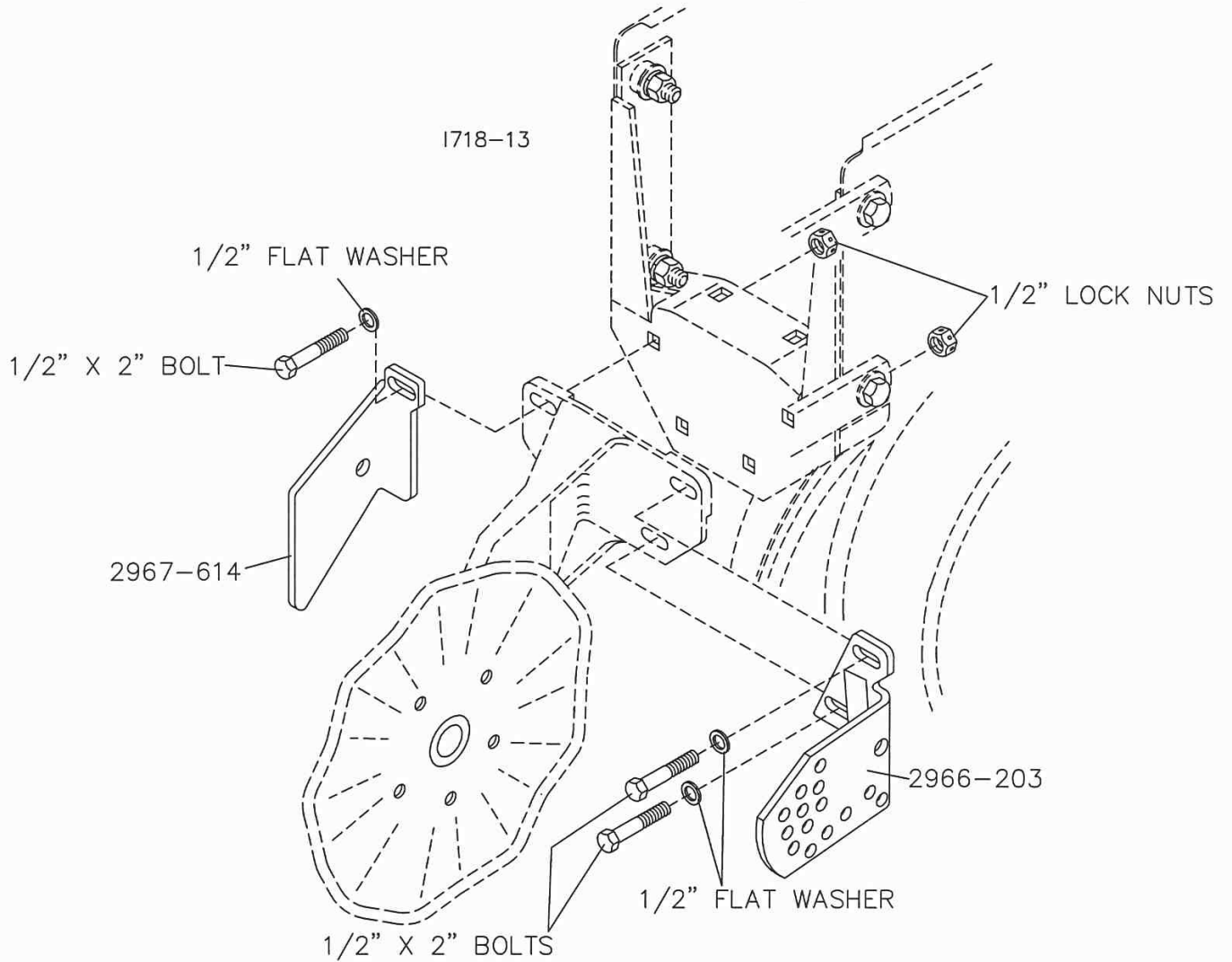
S280-3

2967-186 FLOATER WHEEL
L.H. ASSEMBLY SHOWN
(2) REQUIRED PER ROW

2967-037 – TITAN™ FOR JOHN DEERE COULTER

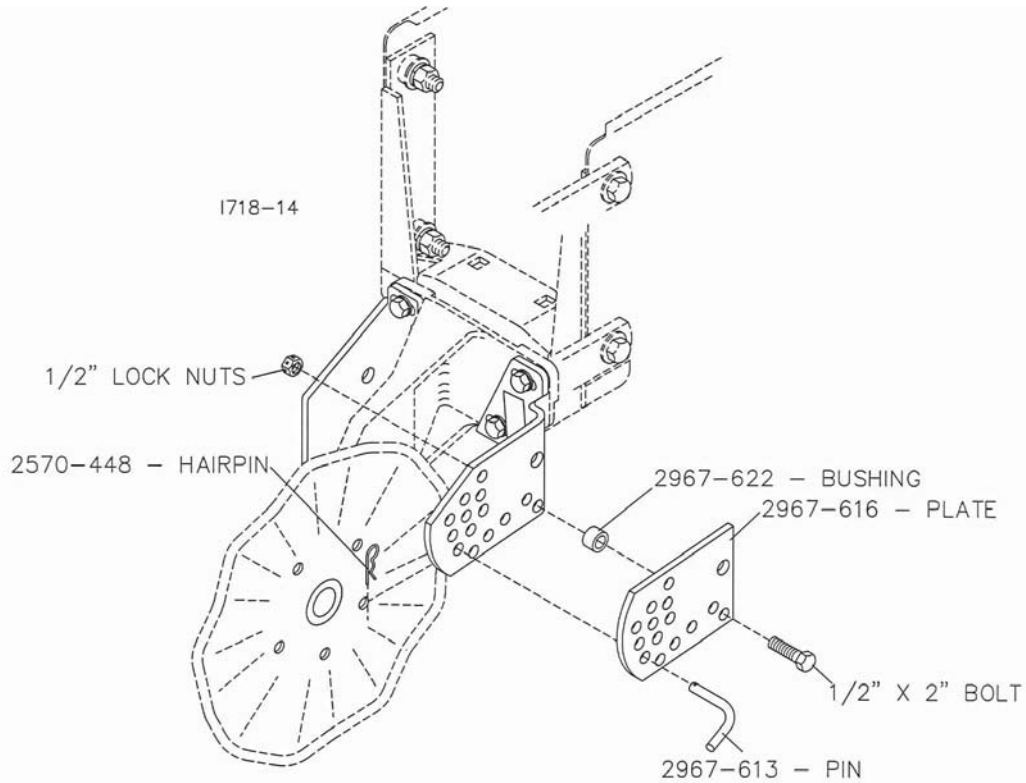
INSTALLATION INSTRUCTIONS

STEP 1. Install the 2966-203 and 2967-614 to the coulters using the 1/2" x 2" bolts, washers and locknuts. **Tighten the brackets snug where they can be moved as needed.** For the 2966-203-bracket, align the slots with the coulters slots. For the 2967-614-bracket, move as close to the coulters arm as the part will allow.

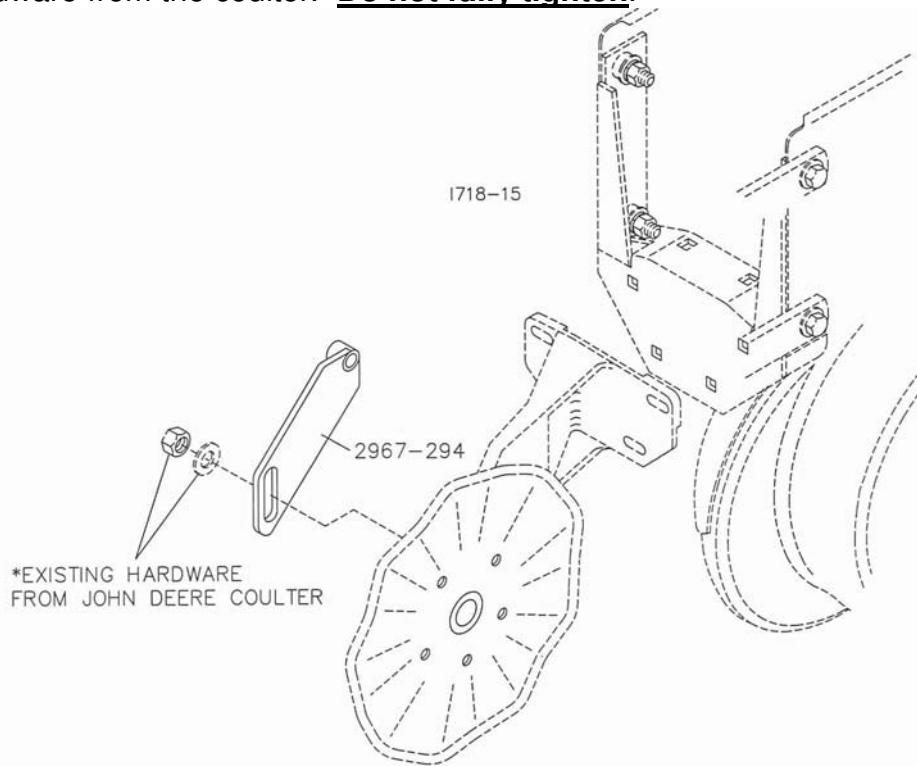


INSTALLATION INSTRUCTIONS

STEP 2. Attach the 2967-616 support plate to the adjustment bracket using the 1/2" x 2" bolt and 2967-622 spacer. **Do not fully tighten.** Install the 2967-613-adjustment pin and hairpin cotter.

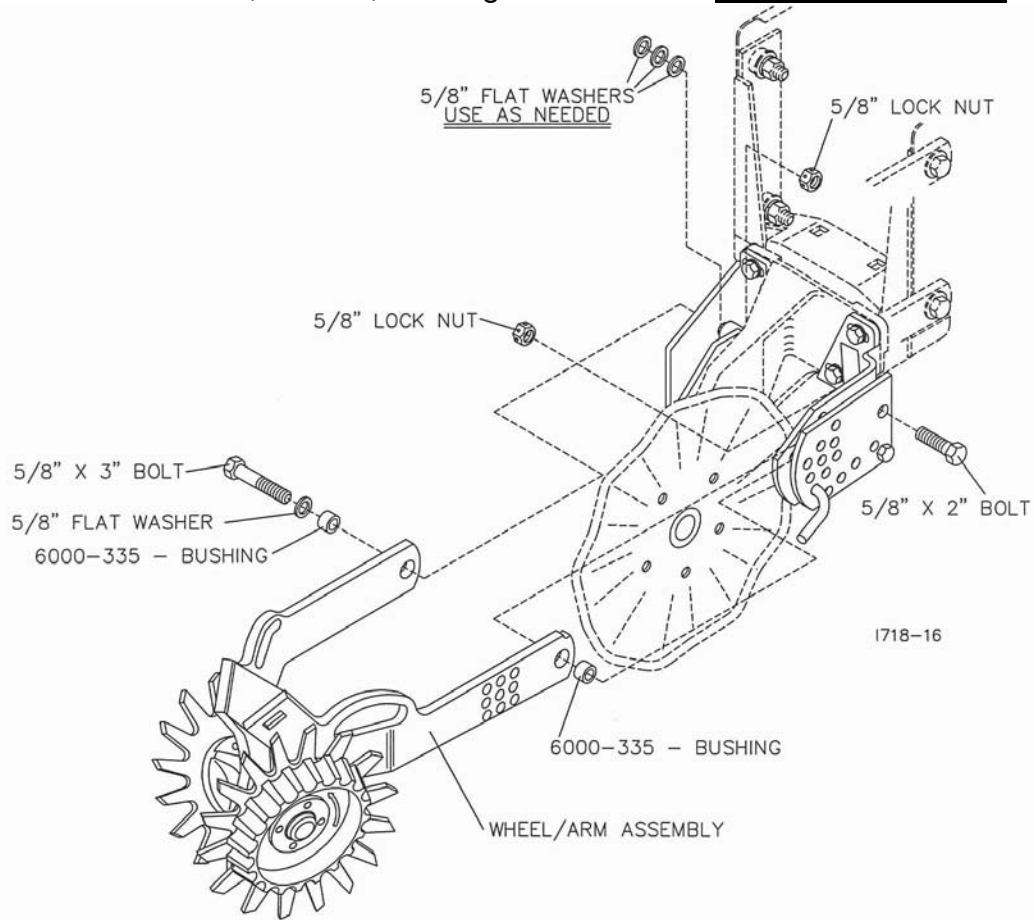


STEP 3. Install the 2967-294-support bracket to the couler adjustment using the existing hardware from the couler. **Do not fully tighten.**

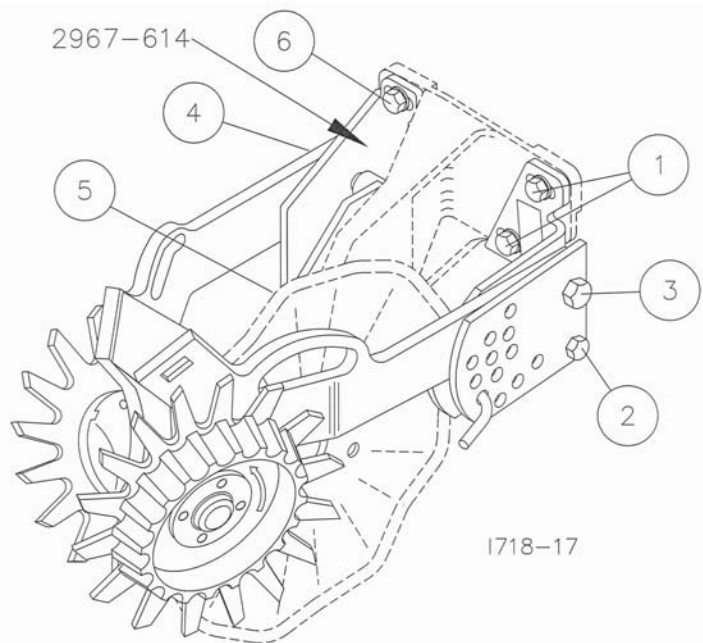
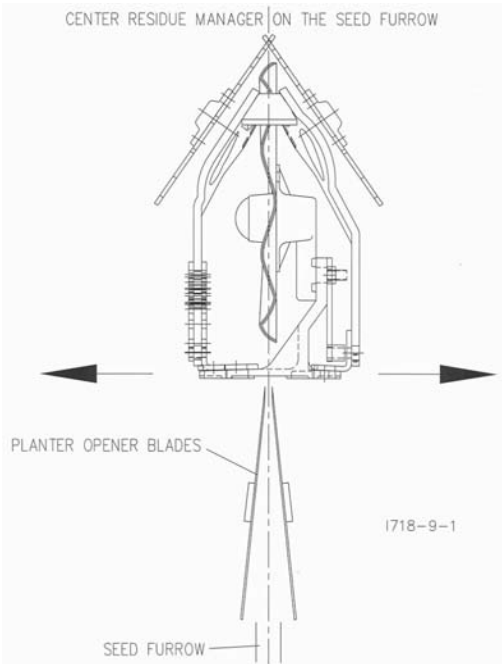


INSTALLATION INSTRUCTIONS

STEP 4. Attach the residue manager arm/wheel assembly using the 5/8" x 2" bolt, bushing and 5/8" x 3" bolt, washer, bushing and locknuts. **Do not fully tighten.**



STEP 5. Tighten the hardware using the sequence illustrated. Start with #1 and end at #6. Before tightening #6 check the clearance on each side of the coulter blade, you may need to move the 2967-614 bracket in or out on the slotted hole.



OPERATION

CAUTION: Where rocks are present the residue manager should be set in the “float” position, not locked down.

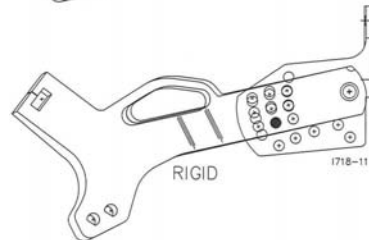
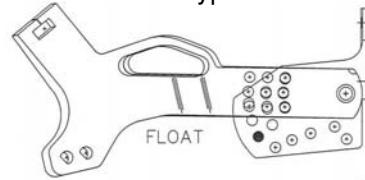
STEP 1. Adjust the residue manager to move crop residue aside and not move any soil. Adjustments to the residue manager may have to be made when changing field conditions and type and amount of residue. Use the handle for leverage when changing depth settings.

“FLOAT SETTINGS”

Install the adjustment pin below the combo arm.

“RIGID SETTING”

Install the adjustment pin through the combo arm.



ROW CLEANER DO'S AND DON'TS

1. **DO NOT** move soil; Residue Managers are designed to move crop residue only.
2. **DO NOT** operate planter at slow speeds, ground speed affects how aggressive the spoke wheels are; operate at sufficient speed (4-6 mph) to maintain good residue flow.
3. **DO NOT** expect 100% of crop residue to be cleared, it is not necessary and would necessitate engaging the soil. The width of path cleared depends on ground conditions, depth setting and ground speed.
4. **DO** expect to see wheels occasionally quit turning, indicates ideal (shallow) setting which is not moving soil.

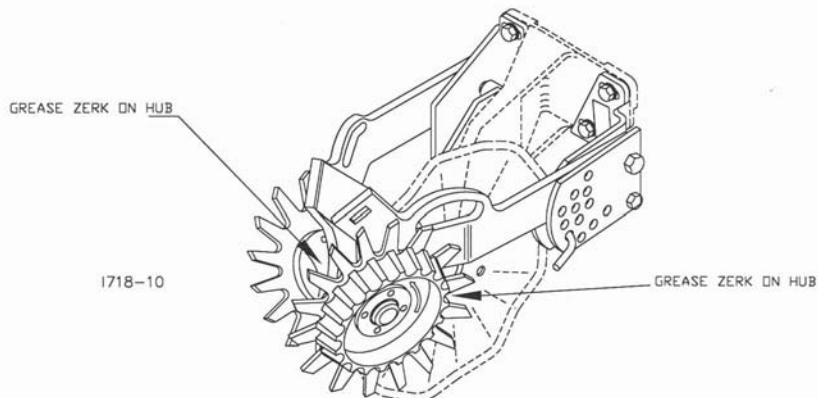


DO adjust toolbar frame height 20”-22” and drawbar to “level” correctly. Very important to ensure planter opener will follow ground contours properly.

MAINTENANCE

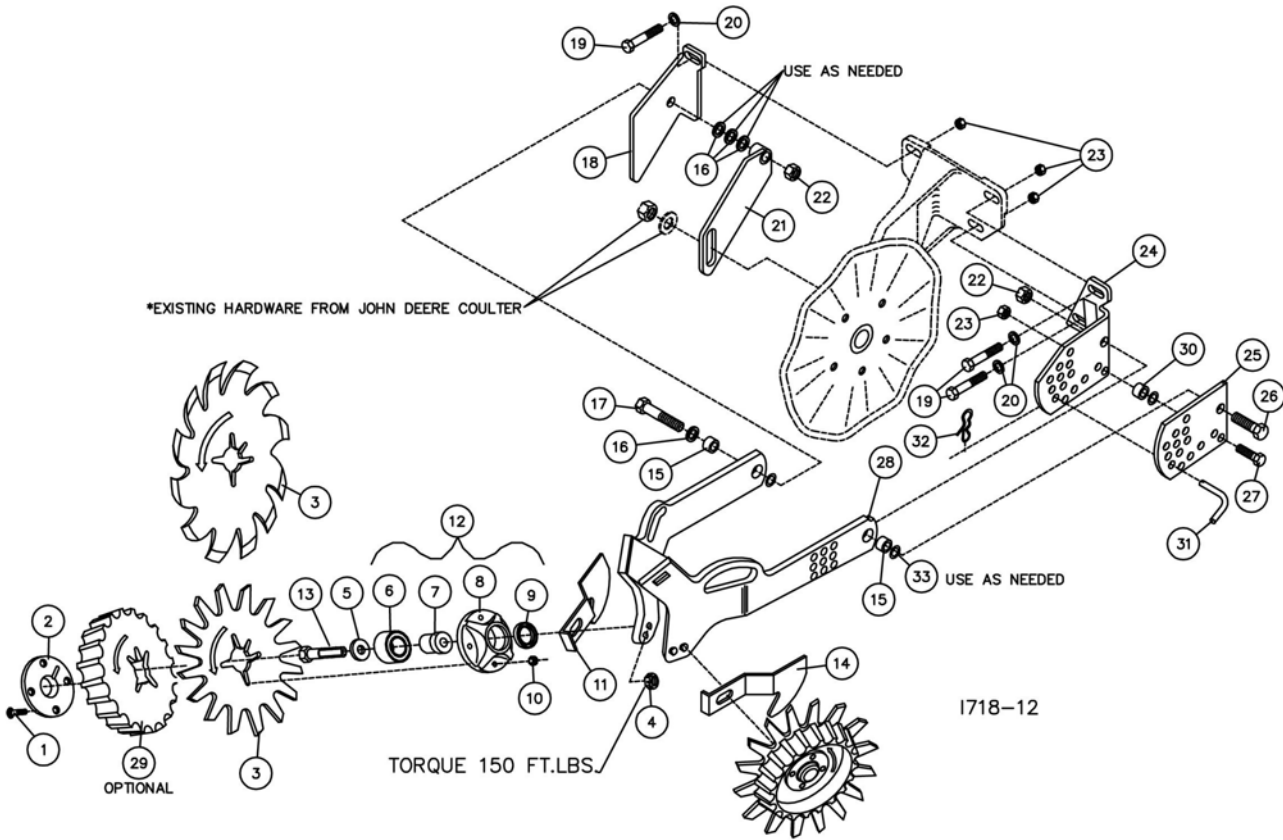
STEP 1. Regularly inspect the residue manager for loose or worn parts. Repair and replace as needed.

STEP 2. Fill the hub with grease.



IMPORTANT: For proper operation, the planter frame must operate level (for, aft and side to side) and at the correct height, typically 20”-22”.

PARTS IDENTIFICATION



2967-037 – TITAN FOR JOHN DEERE COULTER

DET	QTY	PART NO.	DESCRIPTION	DET	QTY	PART NO.	DESCRIPTION
1	8	2505-207	5/16-18 X 1 1/4 CAR BLT GR5	14	1	2967-611	SCRAPER, L.H.
	8	2505-208	5/16-18 X 1 1/2 CAR BLT GR5 (USE WITH HEAVY DUTY WHEELS ONLY)	15	2	6000-335	9/16" BUSHING
	8	2505-209	5/16-18 X 1 3/4 CAR BLT GR5 (USE WITH FLOATER WHEEL OPTION)	16	4	2526-453	5/8 SAE FLATWASHER ZP
2	2	2965-352	HUB CAP CASTING, 4 BOLT, BLACK	17	1	2502-325	5/8-11 X 3 HHCS GR 5 ZP
3	2	2967-404	13" TAPER TOOTH SPOKE WHEEL (SHOWN)	18	1	2967-614	PIVOT BRACKET
	2	2967-596	3/8" TAPER TOOTH SPOKE WHEEL	19	3	2502-351	1/2-13 X 2 HHCS GR. 5 ZP
	2	2967-602	13" SHARK TOOTH WHEEL	20	3	2526-355	1/2 FLAT WASHER HARD'ND ZYD
4	2	2520-464	5/8-11 WHIZLOCK HEX NUT, ZP	21	1	2967-294	SUPPORT W.A.
5	2	2526-454	5/8 SAE FLATWASHER HARD'ND ZYD	22	2	2520-459	5/8-11 LOCK HEX NUT ZP
6	2	2570-594	BEARING, 2 ROW NTN# DF0654L	23	4	2520-357	1/2-13 LOCK HEX NUT ZP
7	2	2570-715	BEARING INSERT, TRASHMASTER	24	1	2966-203	ADJUSTMENT BRACKET W.A.
8	2	2965-351	HUB CAST, MACHINED, 4 BOLT	25	1	2967-616	SUPPORT PLATE
9	2	2550-069	SEAL, TRIPLE LIP, NTI# 1812-5	26	1	2502-391	5/8-11 X 2 HHCS GR 5 ZP
10	8	2520-205	5/16-18 LOCK HEX NUT ZP	27	1	2502-351	1/2-13 X 2 HHCS GR.5 ZP.
11	1	2967-612	SCRAPER, R.H.	28	1	2967-293	COMBO ARM W.A.
12	2	2965-128	HUB AND BEARING ASS'Y., 4 BOLT	29	2	2967-555	FLOATER WHEEL (OPTIONAL)
13	2	2570-766	5/8-11 X 2-3/4 D-BOLT GR5 ZYD	30	1	2967-622	9/16" SPACER ZYD.
				31	1	2967-613	TITAN PIN, JD, ZYD
				32	1	2570-448	1/8 BOWTIE LOCKING COTTER ZYD
				33	4	2527-562	5/8ID X 10D X .049 WASHER ZYD

UPDATED 12/21/15

NOTES:

NOTES:

Our name Is getting known

Just a few years ago, Yetter products were sold primarily to the Midwest only. Then we embarked on a program of expansion and moved into the East, the South, the West and now north into Canada. We're even getting orders from as far away as Australia and Africa.

So, when you buy Yetter products . . .you're buying a name that's recognized. A name that's known and respected. A name that's become a part of American agriculture and has become synonymous with quality and satisfaction in the field of conservation tillage.

Thank you.

YETTER MANUFACTURING CO.
Colchester, IL 62326-0358 • 309/776-4111
Toll Free 800/447-5777
Fax 309/776-3222
Website: WWW.YETTERCO.COM
E-MAIL: INFO@YETTERCO.COM

2565-693_REV_B 02/2016

