



**RESIDUE MANAGER ATTACHMENT**  
**FOR**  
**YETTER/JOHN DEERE 7000**  
**UNIT MOUNTED CONSERVATION COULTER**  
**OPERATOR'S MANUAL**  
**PART IDENTIFICATION**

**YETTER MANUFACTURING CO.**  
*FOUNDED 1930*  
Colchester, IL 62326-0358  
Toll free: 800/447-5777  
309/776-3222 (Fax)  
Website: [www.yetterco.com](http://www.yetterco.com)  
E-mail: [info@yetterco.com](mailto:info@yetterco.com)

**YETTER**

# FOREWORD

You've just joined an exclusive but rapidly growing club.


For our part, we want to welcome you to the group and thank you for buying a Yetter product.

We hope your new Yetter implement will help you achieve both increased productivity and increased efficiency so that you may generate more profit. This operator's manual has been designed into six major sections.

Foreword, Safety Precautions, assembly instructions, Operation, parts identification and troubleshooting.


It is important the owner/operator knows the implement model number and serial number. Write the serial and model number in the space provided and use it in all correspondence when referring to the implement.

Throughout the manual references may be made to left side and right side. These terms are used as viewed from the operator's seat facing the front of the tractor.

 This **SAFETY ALERT SYMBOL** indicates important safety messages in the manual. When you see this symbol, be alert to the possibility of **PERSONAL INJURY** and carefully read the message that follows.

The word **NOTE** is used to convey information that is out of context with the manual text. It contains special information such as specifications, techniques, reference information and other information of a supplementary nature. The word **IMPORTANT** is used in the text when immediate damage will occur to the machine due to improper technique or operation. Important will apply to the same information as specified by note only of an immediate and urgent nature.

It is the responsibility of the user to read the operator's manual and comply with the safe and correct operating procedure and to lubricate and maintain the product according to the maintenance schedule in the operator's manual.

The user is responsible for inspecting his  machine and for having parts repaired or replaced when continued use of the product would cause damage or excessive wear to the other parts.

It is the user's responsibility to deliver his machine to the Yetter dealer who sold him the product for service or replacement of defective parts that are covered by the warranty policy.

If you are unable to understand or follow the instructions provided in the publication, consult you local Yetter dealer or contact:

## YETTER MANUFACTURING CO.

309/776-4111

800/447-5777

309/776-3222 (FAX)

Website: [www.yetterco.com](http://www.yetterco.com)

E-mail: [info@yetterco.com](mailto:info@yetterco.com)

## WARRANTY POLICY

Yetter Manufacturing warrants all products manufactured and sold by it against defects in material. This warranty being expressly limited to replacement at the factory of such parts or products as will appear to be defective after inspection. This warranty does not obligate the Company to bear cost of labor in replacement of parts. It is the policy of the company to make improvements without incurring obligations to add them to any unit already sold. No warranty is made or authorized to be made, other than herein set forth. This warranty is in effect for one year after purchase.

Dealer : \_\_\_\_\_

**Yetter Manufacturing warrants its own products only and cannot be responsible for damage to equipment on which mounted.**

# SAFETY

**A brief description of signal words that may be used in this manual.**

**CAUTION:** Used as a general reminder of good safety practices or to direct attention to unsafe practices.

**WARNING:** Denotes a specific potential hazard.

**DANGER:** Denotes the most serious specific potential hazard.

## SAFETY PRECAUTIONS

You can make your farm a safer place to live and work if you observe the safety precautions given. Study these precautions carefully and insist that those working with you and for you follow them.

Finally, remember this: an accident is usually caused by someone's carelessness, neglect or oversight.

### **WARNING**

Never clean, lubricate or adjust a machine that is in motion. Always install the transport lock pins and bracket when transporting for any length of time or on public roadways.

If required to service unit in raised position, be sure to install all transport lock pins and locking bracket.

Be sure the implement is securely locked in the 3-point quick hitch before operating.

Do not allow children to operate this equipment.

Do not allow riders on the tractor or implement.

Use speeds and caution dictated by the terrain being traversed. Do not operate on any slope steep enough to cause tipping or loss of control.

Be sure all personnel are clear of the immediate area before operating.

Read and understand the operator's manual and require all other persons who will operate the equipment to do the same.

In operating on public roadways, where legal, be certain all lighting is operating properly and observe all traffic laws. Ensure slow moving vehicle emblem on tractor is visible.

Beware of increased stopping distances and control effort when operating with implements attached.

Be familiar with all tractor and implement controls and be prepared to stop engine and implements quickly in an emergency.

### **CAUTION**

Consult your implement and tractor operator's manual for correct and safe operating practices.

Be aware of towed implement width and allow safe clearance.

**FAILURE TO HEED MAY RESULT IN PERSONAL INJURY OR DEATH**

# Table of Contents

<b>FOREWORD.....</b>	<b>2</b>
<b>SAFETY .....</b>	<b>3</b>
<b>TABLE OF CONTENTS .....</b>	<b>4</b>
<b>OPERATION PRECAUTIONS .....</b>	<b>5</b>
<b>PLANTER ADJUSTMENT .....</b>	<b>6</b>
<b>INSTALLATION.....</b>	<b>7-9</b>
<b>OPERATION.....</b>	<b>10</b>
<b>MAINTENANCE .....</b>	<b>11-16</b>
<b>PARTS IDENTIFICATION.....</b>	<b>17-18</b>

## OPERATION PRECAUTIONS

# STOP

Read this before using the Yetter product.

### - MACHINE OPERATION

**IMPORTANT:** failure to properly set the planter frame height and levelness can result in less than successful operation of the planter and the Yetter product and may result in damaged equipment. All operators should read and thoroughly understand the instructions given prior to using the Yetter product.

NOTE: **DO NOT** use this product if the planter is not adjusted properly!

Leveling the planter:

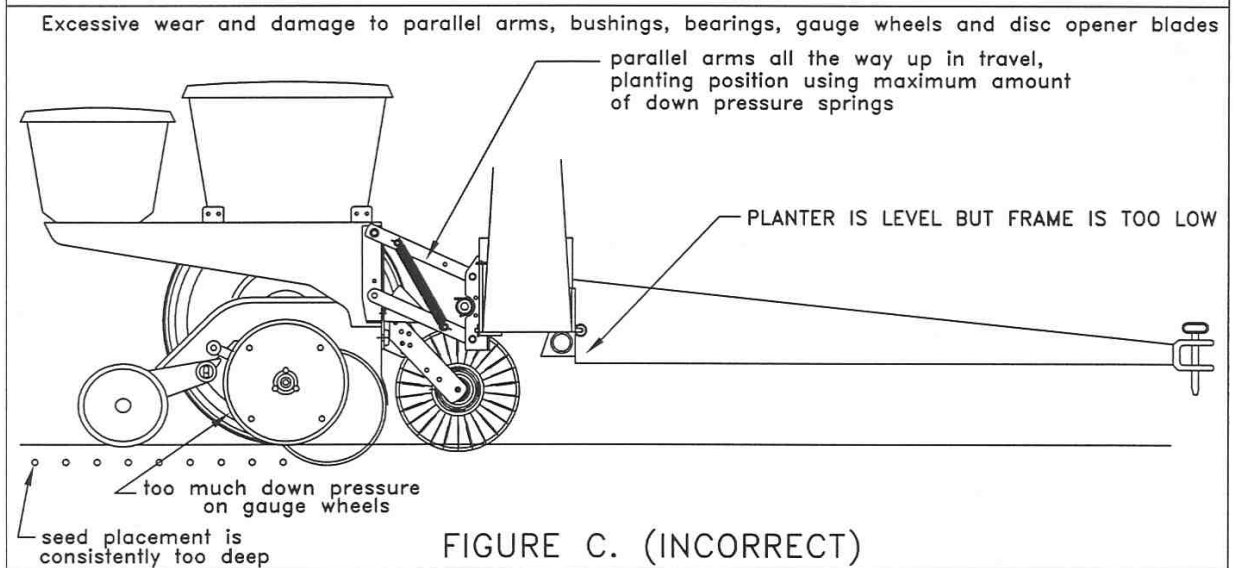
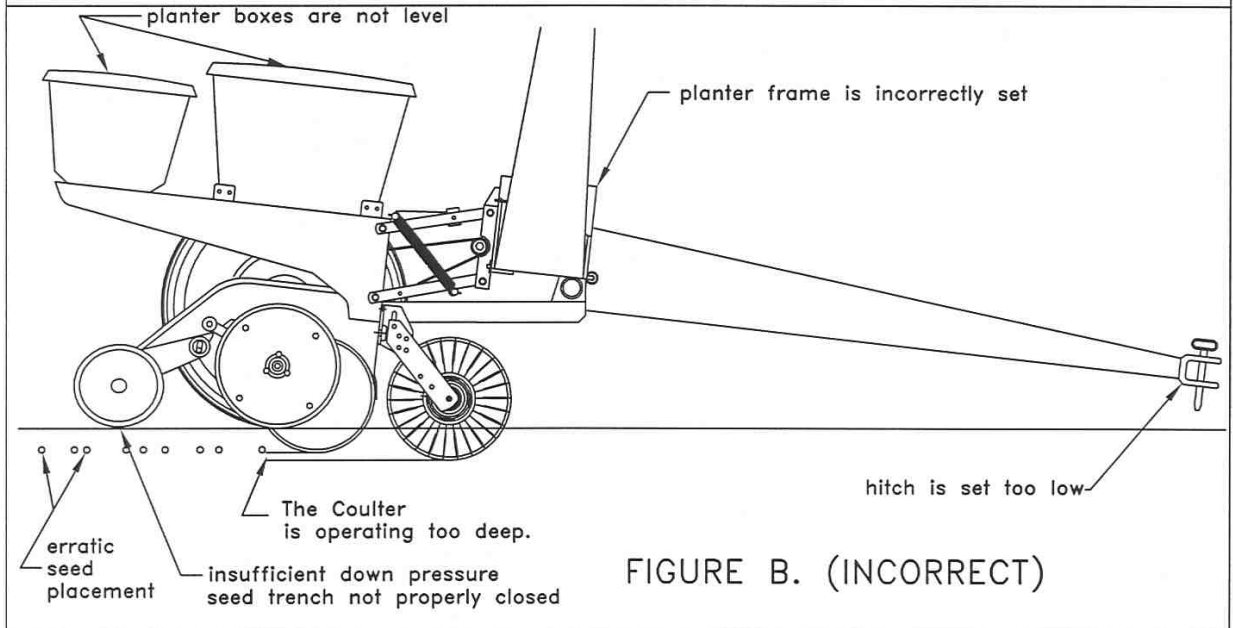
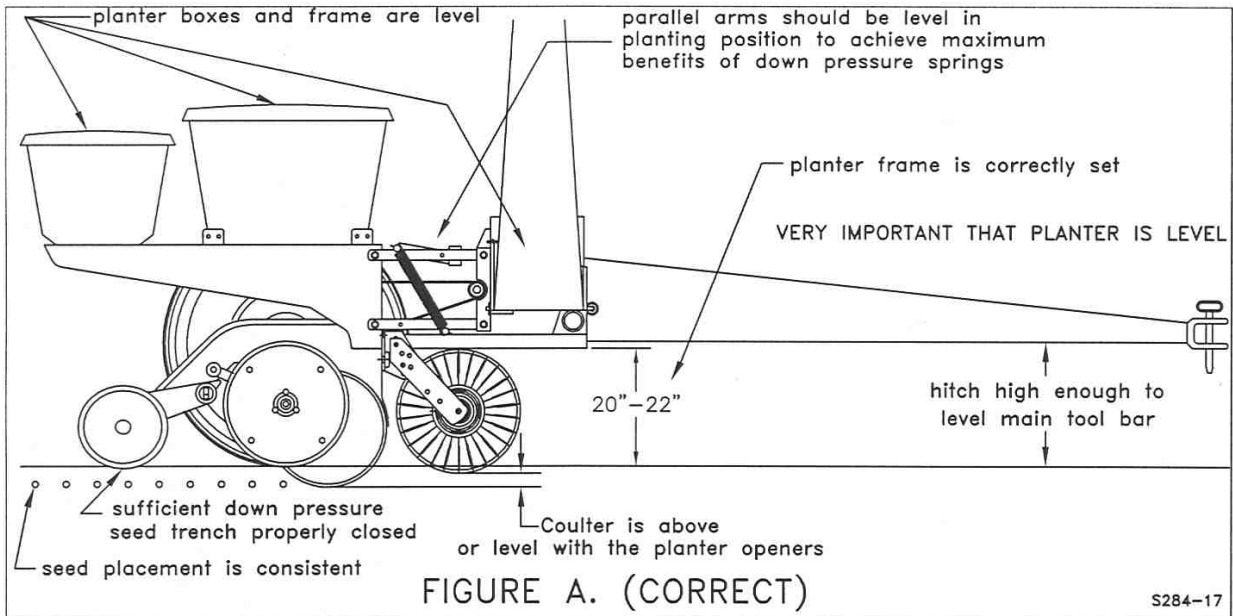
With the planter lowered to proper operating height (**Usually 20"-22"**). **Read the planter operator's manual for recommended setting**. Check to be sure the toolbar and row unit parallel arms are level fore and aft. ***Re-check*** when the planter is in the ***field*** and has been ***fully loaded*** with seed, fertilizer, granular chemicals, etc. Also, a field check with a bubble level on the frame should be made of the hitch height to ensure level operation front to back.

It is important for the planter to operate level laterally. Tire pressure must be maintained at pressures specified by the manufacturer.

Field and actual planting conditions change and will dictate planter frame heights. You must ensure that the row unit parallel arms are approximately parallel with the ground.

**IMPORTANT:** For proper operation of the planter attachments and row units, it is imperative that the planter toolbars and row unit parallel arms be level side-to-side and front-to-rear. The toolbar frame should operate at a 20"-22" height from the **planting surface**. Check the manufacturer's operator's manual for instructions on how to adjust the frame height and levelness.

# PLANTER ADJUSTMENT



## INSTALLATION ON JOHN DEERE 7000 COULTERS

1. Remove the 5/8 x 4" pivot bolt that attaches the unit coultter to the bracket. Save the locknut for later use.
2. Loosely assemble the adjustment plate WA to the bracket/planter with 1/2" x 2" bolt. Do not tighten this yet.



**DANGER: DO NOT USE SPACER STRAP ON COMBO ARM W.A. AS A HANDLE, FINGERS MAY BE SERIOUSLY INJURED ON SHARP EDGE OF BLADE, USE 1/2" SQ. DRIVE SOCKET TOOLS TO ADJUST THIS PART.**

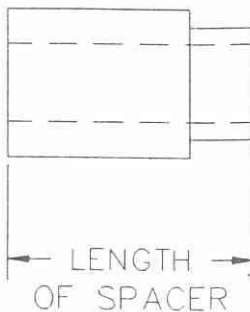


3. Assemble the combo arm w.a. to the unit coultter with 5/8" x 9" bolt, 2-9/32" spacer, 1-1/2" spacer and flat washer supplied. Use the 5/8" locknut removed in step 1. Tighten this bolt securely. Tighten 1/2" x 2" bolt.
4. Insert Combo Adjustment into appropriate hole to hold parts in position and secure with hairpin cotter. \*
5. Attach the spoke wheels to the ends of the combo arm.

NOTE: There are several different versions of the arm casting and bracket for the Deere unit mounted coultter. There are slight variations between these parts that may require using alternative combinations of parts (spacers) than out-lined in the above instructions. It may also be necessary to use additional flat washers along with the spacers to achieve a satisfactory fitment.

Do not be alarmed if the resulting fitment is not perfectly centered about the unit coultter blade. It is acceptable for the wheels to be up to 1/2" off of centered perfectly.

\* In some situations it may be preferable to replace the pin with a bolt and nut for more secure attachment.



## INSTALLATION ON Yetter 2960-100

1. Remove the 5/8 x 3-1/2" pivot bolt that attaches the unit coultter to the bracket. Save the locknut for later use.
2. Loosely assemble the adjustment plate WA to the bracket/planter with 1/2" x 2" bolt. Do not tighten this yet.



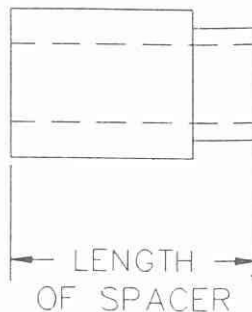
**DANGER: DO NOT USE SPACER STRAP ON COMBO ARM W.A. AS A HANDLE, FINGERS MAY BE SERIOUSLY INJURED ON SHARP EDGE OF BLADE, USE 1/2" SQ. DRIVE SOCKET TOOLS TO ADJUST THIS PART.**



3. Assemble the combo arm w.a. to the unit coultter with 5/8" x 9" bolt, 2-9/32" spacer, 1-7/8" spacer and flat washer supplied. Use the 5/8" locknut removed in step 1. Tighten this bolt securely. Tighten 1/2" x 2" bolt.
4. Insert Combo Adjustment into appropriate hole to hold parts in position and secure with hairpin cotter. \*
5. Attach the spoke wheels to the ends of the combo arm.

Do not be alarmed if the resulting fitment is not perfectly centered about the unit coultter blade. It is acceptable for the wheels to be up to 1/2" off of centered perfectly.

\* In some situations it may be preferable to replace the pin with a bolt and nut for more secure attachment.





## INSTALLATION ON KINZE COULTERS

1. Remove the 3/4" pivot bolt that attaches the unit coulter arm to the bracket. Save the locknut for later use.
2. Before the adjustment plate w.a. can be used on Kinze planters the pivot bolt hole must be drilled out to accommodate the 3/4" bolt. Loosely assemble the adjustment plate w.a. to the bracket/planter with 1/2" x 2" bolt.

**DANGER:** DO NOT USE SPACER STRAP ON COMBO ARM W.A. AS A HANDLE, FINGERS MAY BE SERIOUSLY INJURED ON SHARP EDGE OF BLADE, USE 1/2" SQ. DRIVE SOCKET TOOLS TO ADJUST THIS PART.

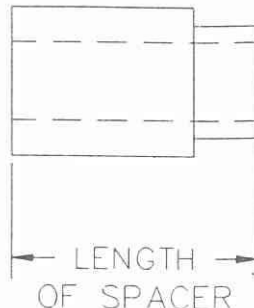


3. Assemble the combo arm w.a. to the unit coulter with 3/4" x 9" bolt, 2-1/8" spacer, 1-19/32" spacer and flat washer supplied. Use the 3/4" locknut removed in step 1. Tighten this bolt securely. Tighten 1/2" x 2" bolt.
4. Insert Combo Adjustment into appropriate hole to hold parts in position and secure with hairpin cotter. \*
5. Attach the spoke wheels to the ends of the combo arm.

NOTE: There are several different versions of the arm casting and bracket for the Kinze unit mounted coulter. There are slight variations between these parts that may require using alternative combinations of parts (spacers) than out-lined in the above instructions. It may also be necessary to use additional flat washers along with the spacers to achieve a satisfactory fitment.

Do not be alarmed if the resulting fitment is not perfectly centered about the unit coulter blade. It is acceptable for the wheels to be up to 1/2" off of centered perfectly.

\* In some situations it may be preferable to replace the pin with a bolt and nut for more secure attachment.



# OPERATION

**IMPORTANT:** For proper operation, the planter frame must operate level (for, aft and side to side) and at the correct height, typically 20"-22".

## **ROW CLEANER DO'S AND DON'TS**

- 1. DO NOT** move soil; Residue Managers are designed to move crop residue only.
- 2. DO NOT** operate planter at slow speeds, ground speed affects how aggressive the spoke wheels are; operate at sufficient speed (4-6 mph) to maintain good residue flow.
- 3. DO NOT** expect 100% of crop residue to be cleared, it is not necessary and would necessitate engaging the soil. The width of path cleared depends on ground conditions, depth setting and ground speed.
- 4. DO** expect to see wheels occasionally quit turning, indicates ideal (shallow) setting which is not moving soil.
- 5. DO** adjust toolbar frame height 20"-22" and drawbar to "level" correctly. Very important to ensure planter opener will follow ground contours properly.



# MAINTENANCE

## BEARING ASSEMBLY AND LUBRICATION

Regularly inspect the residue manager for loose or worn parts. Repair and replace as needed.

### Practice Safety

Understand and practice safe service procedures before doing work. Follow ALL the operating, maintenance and safety information in the equipment operator manual. Clear the area of bystanders, especially small children, when performing any maintenance or adjustments. Keep work area clean and dry. Use adequate lighting for the job. Use only tools, jacks and hoists of sufficient capacity for the job.

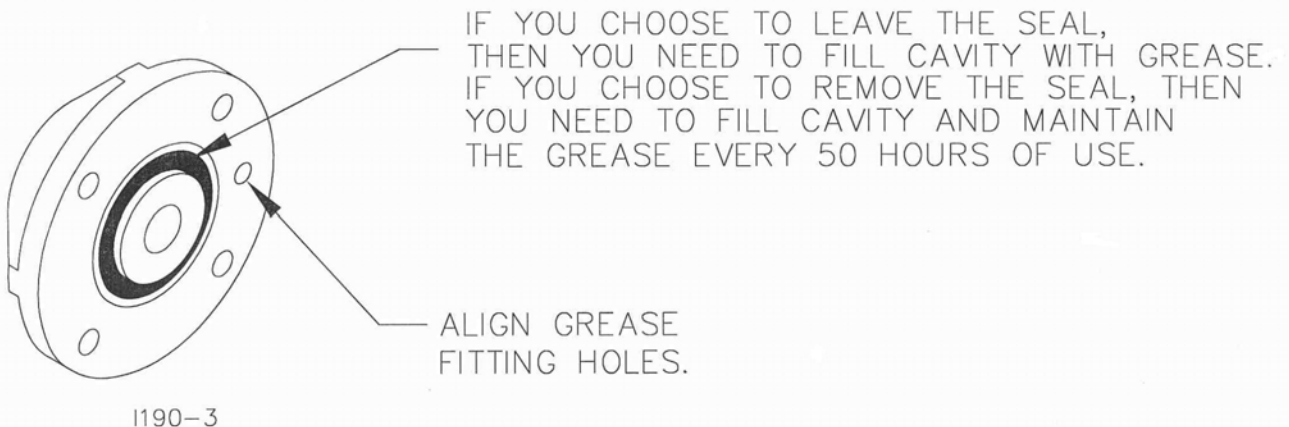
Never lubricate, service, or adjust machine while it is moving. Keep hands, feet, and clothing from power-driven moving and rotating parts. Disengage all power and operate controls to relieve pressure. Lower equipment to the ground and stop the engine. Remove the key. Wait for all moving parts to stop before servicing, adjusting, repairing or unplugging.

Securely support any machine elements with blocks or safety stands that must be raised for service work.

Keep all parts in good condition and properly installed. Fix damaged equipment immediately. Replace worn or broken parts. Remove any buildup of grease, oil, or debris.

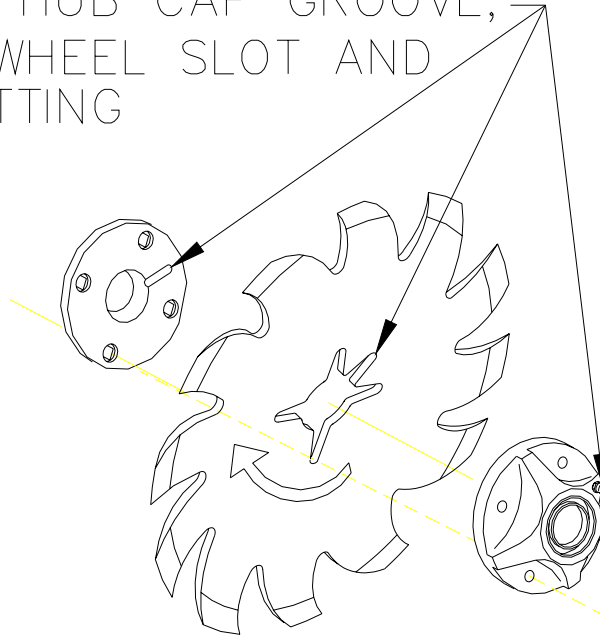
Make sure all guards are in place and properly secured when maintenance work is completed.

### Assembly

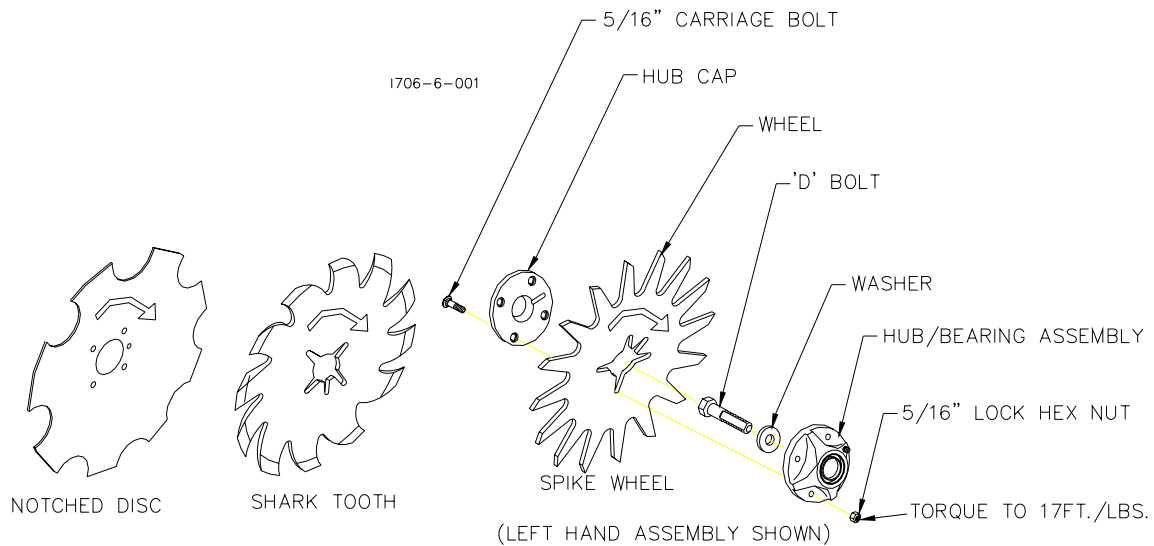


## MAINTENANCE

ALIGN THE HUB CAP GROOVE,  
WITH THE WHEEL SLOT AND  
GREASE FITTING

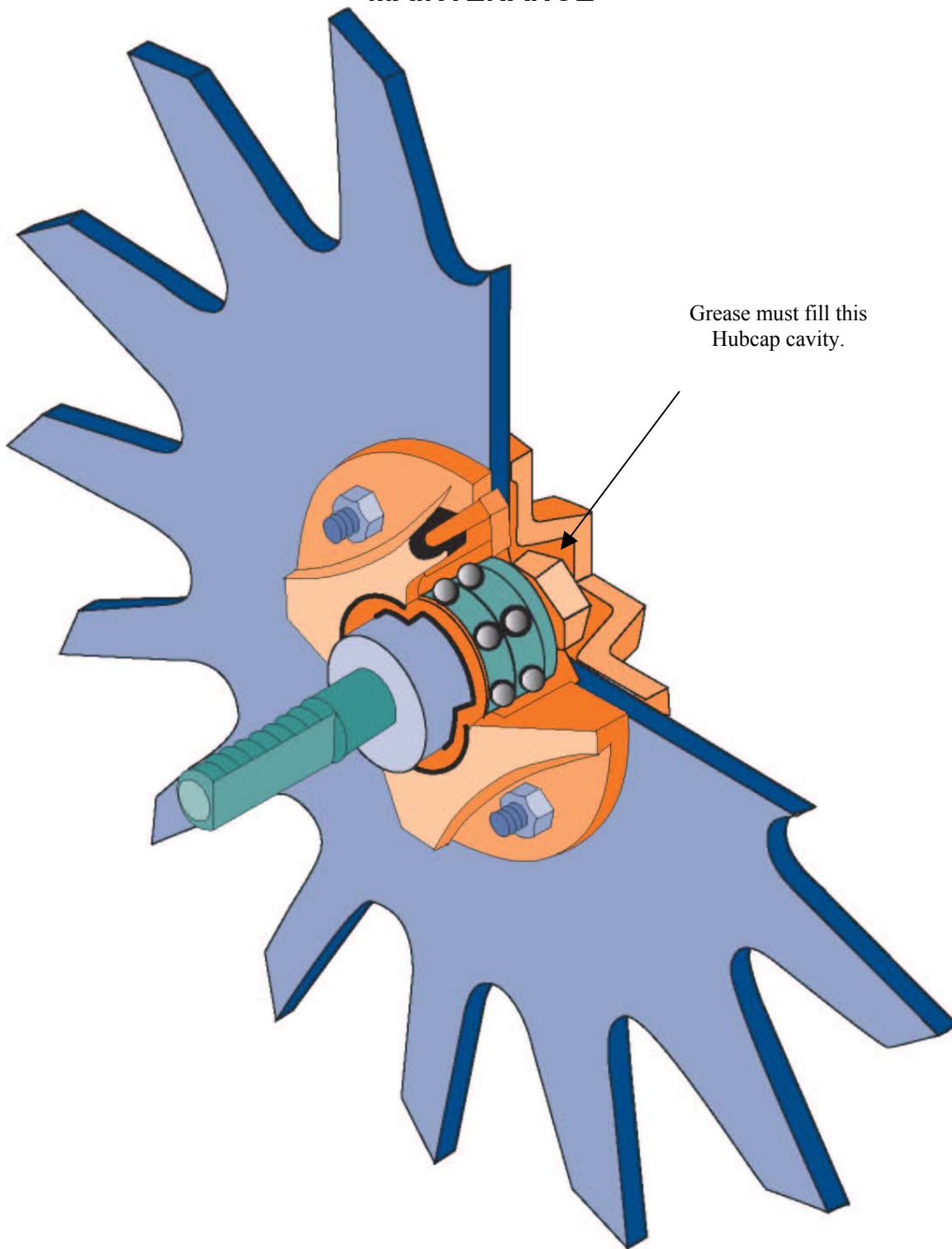


**NOTE:** Be certain to align the grease fitting with the slot in the wheel and the hubcap so that the grease can flow freely.



**IMPORTANT:** THE 2527-530 WASHER MUST BE INSTALLED OR THE WHEEL AND HUB ASSEMBLY WILL FALL OFF DURING USE.

## MAINTENANCE



# MAINTENANCE

## Lubrication



**CAUTION:** To help prevent serious injury or death to you or others caused by unexpected movement, service machine on a level surface. Lower machine to ground or sufficiently lock or block raised machine before servicing. If machine is connected to tractor, engage parking brake and place transmission in "PARK", shut off engine and remove key. If machine is detached from tractor, block wheels and use shop stands to prevent movement.



**CAUTION:** Do not clean, lubricate, or adjust machine while in motion.

Use grease based on NLGI consistency numbers and the expected air temperature range during the service interval.

Use a **multi-purpose lithium, water resistant, moderate speed, and NLGI grade #2** grease.

Other greases may be used if they meet the following **NLGI Performance Classification: GC-LB**

**IMPORTANT:** Some types of grease thickener are not compatible with others. Consult your grease supplier before mixing different types of grease.

### Alternative Lubricants

Conditions in certain geographical areas may require special lubricants and lubrication practices which do not appear in the operator's manual. If there are any questions, consult Yetter Manufacturing Co. to obtain latest information and recommendation.

PART #	DESCRIPTION	OUNCES OF GREASE
2967-404	13" TAPER TOOTH R.M. WHEEL	1.12 OZ
2967-602	13" SHARK TOOTH R.M. WHEEL	1.12 OZ
2967-186	FLOATER WHEEL KIT W/R.M. WHEEL	2.08 OZ
2967-596	HEAVY DUTY OR BEVEL R.M. WHEEL W/ FLOATER WHEEL KIT	2.40 OZ

### Storing Lubricants

Your machine can operate at top efficiency only if clean lubricants are used.

Use clean containers to handle all lubricants.

Store them in an area protected from dust, moisture and other contaminants.

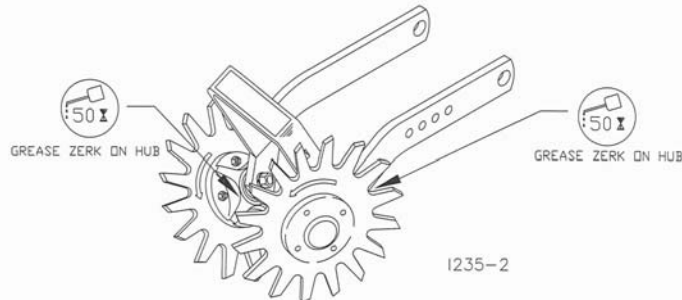
# MAINTENANCE

## Lubrication Symbols



Lubricate with grease at hourly interval indicated on symbol.

## Lubrication Intervals



**IMPORTANT: The recommended service intervals are based on normal conditions; severe or unusual conditions may require more frequent lubrication.**

Perform each lubrication and service procedure at the beginning and end of each season.

Clean grease fittings before using grease gun, to avoid injecting dirt and grit into the bearing. Replace any lost or broken fittings immediately. If a fitting fails to take grease, remove and clean thoroughly, replace fitting if necessary. Also check for failure of adjoining parts.

## BEARING REPLACEMENT INSTALLATION

1. If you wish to be able to grease the bearings in the hubs, remove the seal from one side of the bearings as illustrated before assembly. Otherwise the bearings may be left "sealed for life".
2. When assembling the spoke wheels, bearing assembly and hubcap, be sure to align the grease transfer hole in the spoke wheel with the groove in the hubcap and hole in the hub to allow grease passage.
3. Install/assemble the wheels, hubs and caps. **IMPORTANT: THE 2527-530 WASHER MUST BE INSTALLED OR THE WHEEL AND HUB ASSEMBLY WILL FALL OFF DURING USE.**
4. Grease the wheel/hub/bearing assembly.

## MAINTENANCE

### Storing the Equipment

Store the machine in an area away from human activity

Store machine in RAISED position.

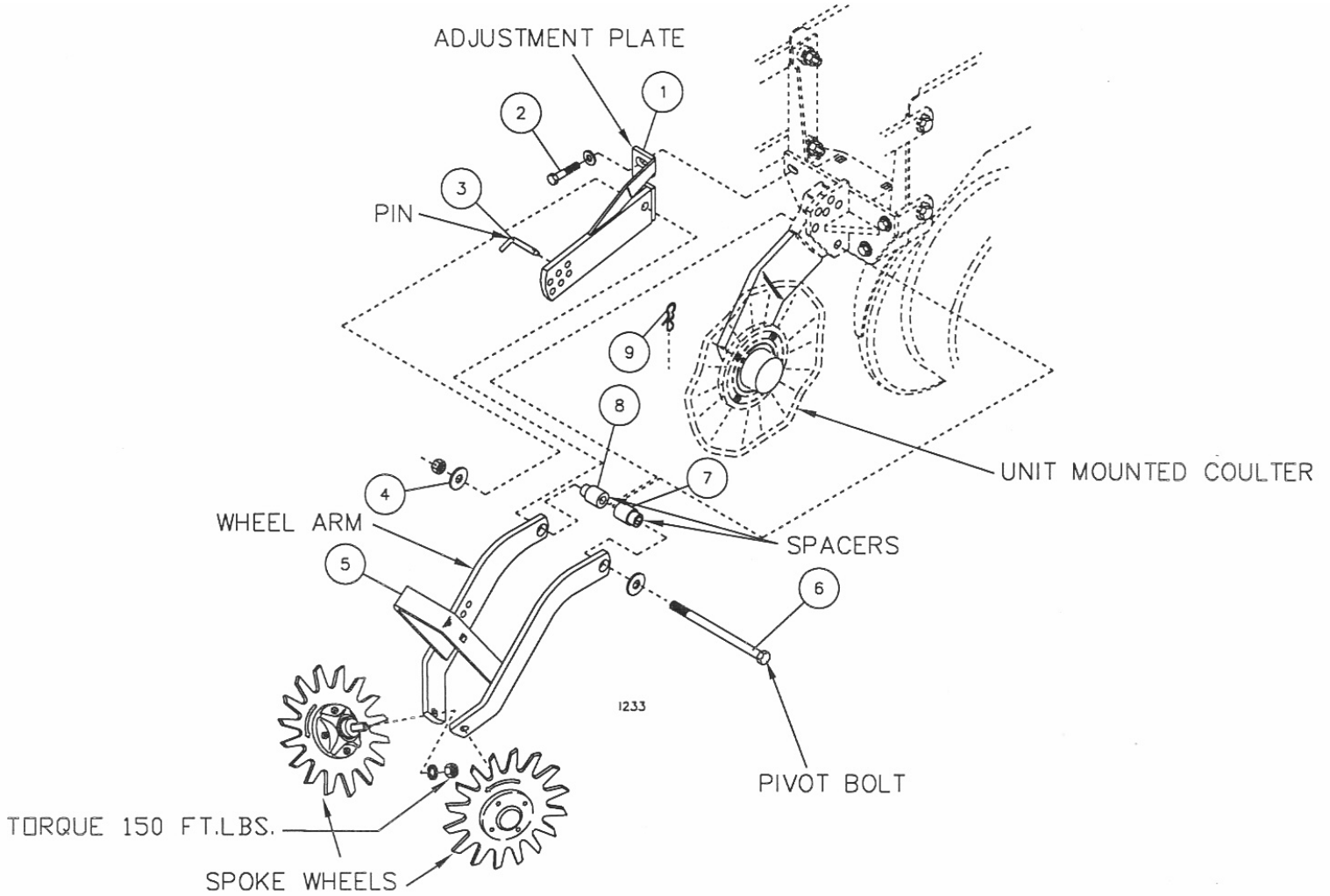
Install service locks on all wheel cylinders.

At the end of the season, the machine should be thoroughly inspected and prepared for storage. Repair or replace any worn or damaged components to prevent down time at the start of the next season. Store machine under cover with all parts in operating condition.

- Clean machine thoroughly to remove all dirt, debris and crop residue, which would hold moisture and cause rusting.
- Inspect machine for worn or broken parts. See your Yetter Farm Equipment dealer during the off-season so that parts or service can be acquired when machine is not needed in the field.
- Lubricate bearings as outlined in the Lubrication section
- Paint all parts which are chipped or worn and require repainting.
- Store machine in a clean, dry place with the planting unit out of the sun.
- If the machine cannot be stored inside, cover with a waterproof tarpaulin and tie securely in place.
- Do not allow children to play on or around the machine



# PARTS IDENTIFICATION

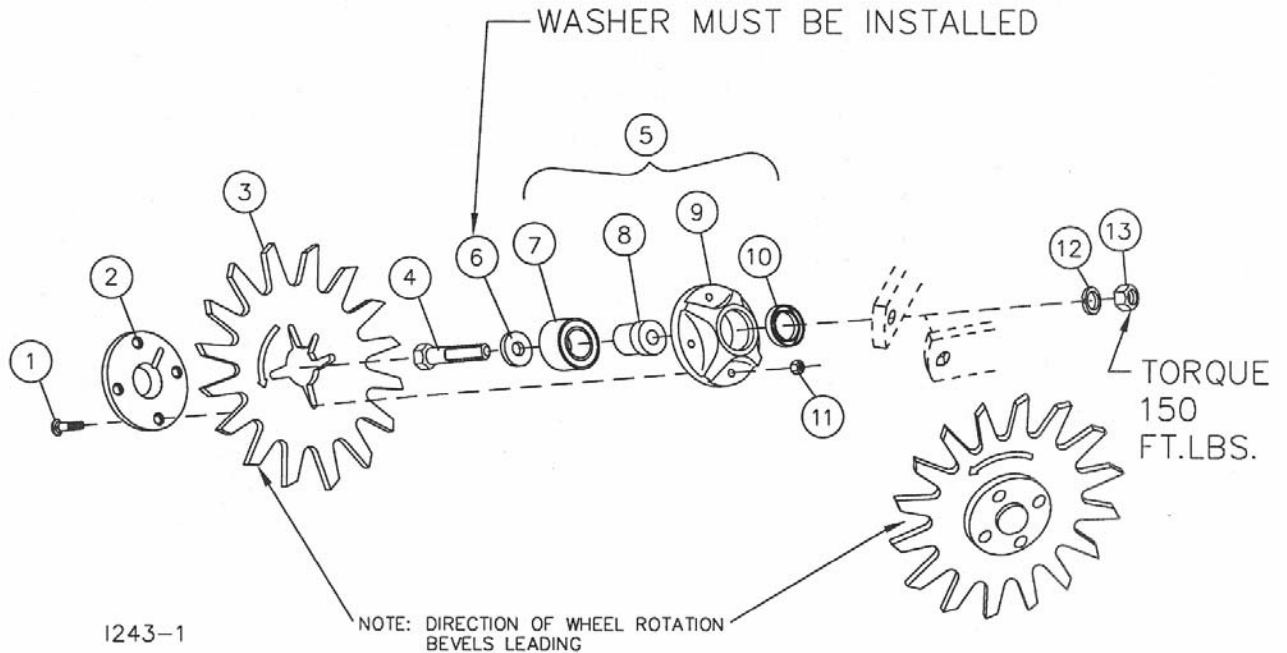


2967-145 - R.M. ATTACHMENT, 7000 & YETTER

KEY	QTY.	PART NO.	DESCRIPTION
1	1	2967-215	COMBO ADJUSTMENT BRACKET W.A.
2	1	2502-351	1/2-13 x 2 HHCS GR 5 ZP
3	1	2967-381	COMBO ADJUSTMENT PIN ZP
4	2	2526-451	5/8 FLATWASHER ZP
	2	2526-501	3/4 FLATWASHER ZP
5	1	2967-216	7000 & YETTER COMBO ARM W.A.
6	1	2502-333	5/8-11 x 9 HHCS GR 5 ZP
	1	2502-514	3/4-10 x 9 HHCS GR 5 ZP
7	1	2967-357	1 1/2" SPACER ZP (DEERE)
	1	2967-359	1 7/8" SPACER ZP (YETTER)
	1	2967-361	1 19/32" SPACER ZP (KINZE)
8	1	2967-356	2 9/32" SPACER ZP (DEERE)
	1	2967-358	2 1/32" SPACER ZP (YETTER)
	1	2967-360	2 1/8" SPACER ZP (KINZE)
9	1	2570-448	1/8 BOWTIE LOCKING COTTER ZYD

UPDATED 03/17/09

# RESIDUE MANAGER WHEELS



DET	QTY	PART NO.	DESCRIPTION
1	4	2505-207	5/16-18 X 1-1/4 CAR BOLT GR5 ZP
2	1	2965-352	HUB CAP CASTING, 4 BOLT, BLACK
3	1	2967-404	13" TAPER TOOTH SPOKE WHEEL (SHOWN)
	1	2967-602	13" SHARKTOOTH WHEEL
	1	2967-596	3/8" TAPER TOOTH SPOKE WHEEL
4	1	2570-740	5/8-11 X 3" 'D' BOLT GR5 ZP
5	1	2965-128	HUB & BEARING ASS'Y, 4 BOLT INCLUDES NO.S 7, 8, 9 AND 10
6	1	2527-530	1.50D X 21/32ID 3/16 TK MA BU
7	1	2570-594	BEARING, 2 ROW NTN# DF0654L
8	1	2570-715	BEARING INSERT, TRASHMASTER
9	1	2965-351	HUB CAST., MACHINED, 4 BOLT
	1	2533-110	1/4" SELF TAP ZERK (NOT SHOWN)
10	1	2550-052	SEAL, CR# 13548
11	4	2520-205	5/16-18 LOCK-HEX NUT ZP
12	1	2525-451	5/8 MED LOCKWASHER ZP
13	1	2520-452	5/8-11 HEX NUT ZP

REVISED 06/03/09

## NOTES:

# Our name Is getting known

Just a few years ago, Yetter products were sold primarily to the Midwest only. Then we embarked on a program of expansion and moved into the East, the South, the West and now north into Canada. We're even getting orders from as far away as Australia and Africa.

So, when you buy Yetter products . . .you're buying a name that's recognized. A name that's known and respected. A name that's become a part of American agriculture and has become synonymous with quality and satisfaction in the field of conservation tillage.

Thank you.

**YETTER MANUFACTURING CO.**

Colchester, IL 62326-0358 • 309/776-4111

Toll Free 800/447-5777

Fax 309/776-3222

Website: [WWW.YETTERCO.COM](http://WWW.YETTERCO.COM)

E-MAIL: [INFO@YETTERCO.COM](mailto:INFO@YETTERCO.COM)

2565-352\_REV\_B • 06/09