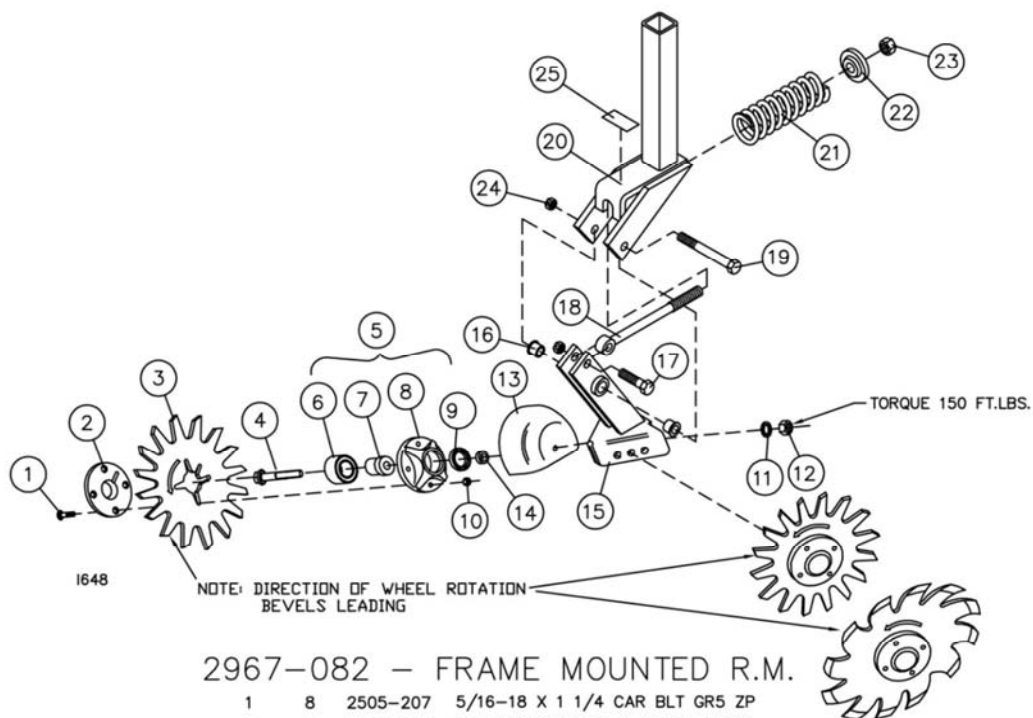




P.O. Box 358  
 Colchester, IL 62326-0358  
 800-447-5777 or Fax: 309-776-3222  
 Email: [info@yetterco.com](mailto:info@yetterco.com)  
 Web: [www.yetterco.com](http://www.yetterco.com)



2967-082 - FRAME MOUNTED R.M.

1	8	2505-207	5/16-18 X 1 1/4 CAR BLT GR5 ZP
2	2	2965-352	HUB CAP CASTING, 4 BOLT, BLACK
3	2	2967-404	13" TAPER TOOTH SPOKE WHEEL
	2	2967-596	HD 3/8" TAPER TOOTH SPOKE WHEEL
	2	2967-602	13" SHARK TOOTH WHEEL
	2	6200-350	13" BEVEL WHEEL L.H.
	2	6200-351	13" BEVEL WHEEL R.H.
4	2	2570-742	D-BOLT,FLANGE,5/8-11 X 4" GR.8 ZYD
5	2	2965-128	HUB AND BEARING ASS'Y.,4 BOLT (INCLUDES #6,7,8 &9)
6	2	2570-594	BEARING, 2 ROW NTN# DF0654LU
7	2	2570-715	BEARING INSERT, TRASHMASTER
8	2	2965-351	HUB CAST.,MACHINED, 4 BOLT
	2	2533-110	1/4-28 ZERK STRAIGHT SELF-TAP (NOT SHOWN)
9	2	2550-069	SEAL, TRIPLE LIP, NTI# 1812-5
10	8	N10213	5/16-18 HEX FLANGE SERRATED NUT
11	2	2525-451	5/8 MED LOCKWASHER ZP
12	2	2520-452	5/8-11 HEX NUT ZP
13	2	2967-336	R.M. SHIELD, PAINTED, W. HOLE
14	2	2967-302	SPACER, 3/4" ZYD
15	1	2967-267	LOWER PIVOT ARM W.A.
16	2	2967-483	NYLON INSERT BUSHING
17	1	2502-332	5/8-11 X 2-1/4 HHCS GR. 5 ZP
18	1	2920-324	PUSH ROD, 9 3/16" EYE BOLT, ZP
19	1	2502-334	5/8-11 X 4-1/2 HHCS GR 5 ZP
20	1	2967-268	UPPER PIVOT ARM W.A.
21	1	2910-311	SPRING
22	1	2910-302	2910 SPRING BUSHING
23	1	2520-515	3/4-10 LOCK HEX NUT ZP
24	2	2520-459	5/8-11 LOCK HEX NUT ZP
25	1	2565-179	YETTER DECAL 1" X 3"