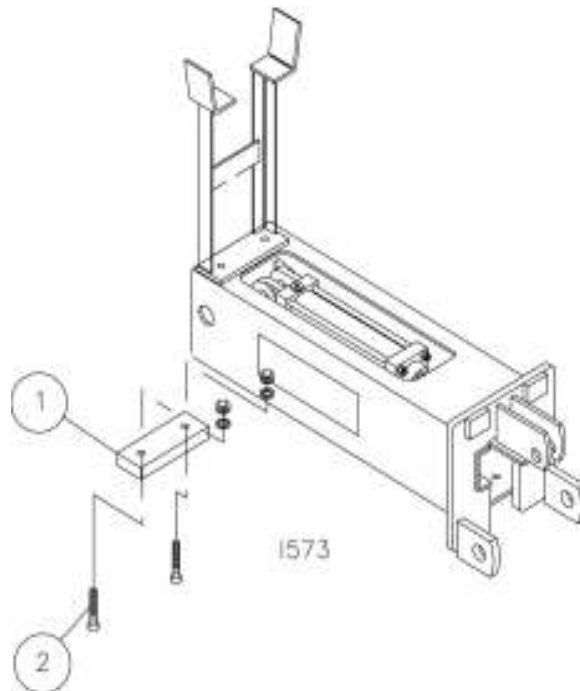




6150-119 MARKER SPACER KIT

2565-455_REV_A 06/2014

1. Place the 6150-421 marker spacer between the marker base and the toolbar mount bracket, secure with two 1/2 x 2-3/4" bolts, lock washers and nuts.
2. Repeat for other side.



YETTER MANUFACTURING CO.

FOUNDED 1930

Colchester, IL 62326-0358

Toll free: 800/447-5777

309/776-3222 (Fax)

Website: www.yetterco.com

E-mail: info@yetterco.com

6150-119 MARKER SPACER KIT

KEY	QTY	PART NO.	DESCRIPTION
1	1	6150-421	MARKER SPACER
2	2	2502-295	1/2-13 X 2-3/4" HHCS GR.5 ZP.