

JD 1750 & 1755 CONSERVATION PLANTER

JD 7200 DRAWN PLANTER (3" sq. fert. bar)

Equipped with John Deere 3" fert. bar. and no options

Model No.'s to Order for each planter configuration		Quantity to order for each planter			
		4 R N/W	6 R N	6 R W	8 R N
LIQUID FERT. COULTER	or 2995-017-R order 2990-163 & 3010-303 and choice of blade	4 or	6 or	6 or	8 or
FRAME MOUNTED	or 2995-065-L order 2990-163 & 3011-302 and choice of blade	2 and 2	3 and 3	3 and 3	4 and 4
DRY FERT. COULTER	or 2995-075-L/R ^ order 2990-163 & 3010-303 and choice of blade	2 and 2	3 and 3	N.A.	N.A.
FRAME MOUNTED	2975-130 (extension kit) Required	1	1		
Unit Mounted	2959-003 (2" offset fert. injection)				
Liquid Fertilizer Coulters	w/ 2967-180B (Residue Manager for 2959-003) Optional				
	or 2962-003A and 2962-004A RUMDDFO				
	w/ 2962-005B (Residue Manager for 2962-003A/-004) Optional				
	or 2968-020B-R-LB/-L-LB Row Unit mount fits 1700, 7200 & 7300 & 2968-132 10" wheel assembly	2 and 2 4	3 and 3 6	3 and 3 6	4 and 4 8
2960 UNIT MOUNTED CONSERVATION COULTERS ONLY	2960-034 Coulters w/ U.N.T. bracket (JD 7200 and newer)**	4	6	6	8
	or 2960-127 (coulters only)**				
	2960-126 (spring kit only) Optional				
CLEAN UP CREW ONLY	2940-001B Pneumatic assembly				
	or 2967-013B Short Narrow U.N.T.				
	or 2967-028A Universal unit mounted residue manager	4	6	6	8
	or 2967-029B Short U.N.T.				
	or 2967-052A Screw Adjust				
	2967-081A (R.M. attachment for JD tool hanger)**				
Combo Attachment	2967-007A U.N.T. Residue Manager kit				
	or 2967-035A Titan Universal				
	or 2967-042B Titan Residue Manager for JD Coulters	4	6	6	8
	or 2967-115A (for use with 2960-015 coulters)				
	2967-070 (Quick adjust) Optional				

** See the price book for blade choices.

*** If Frame Mounted Coulters and Fertilizer Coulters are mounted together on the JD 3" fert. bar and the frame mounted coulters is in the center of the row, Fertilizer coulters can only be mounted 4" or farther from the row.

**** 2995 with LIHD and RIHD used on 1750/7200 must have 3011-302 5 1/2 offset shanks

Continued on page 17

JD 1750 & 1755 CONSERVATION PLANTER JD 7200 DRAWN PLANTER (3" sq. fert. bar)

Equipped with John Deere 3" fert. bar. and no options

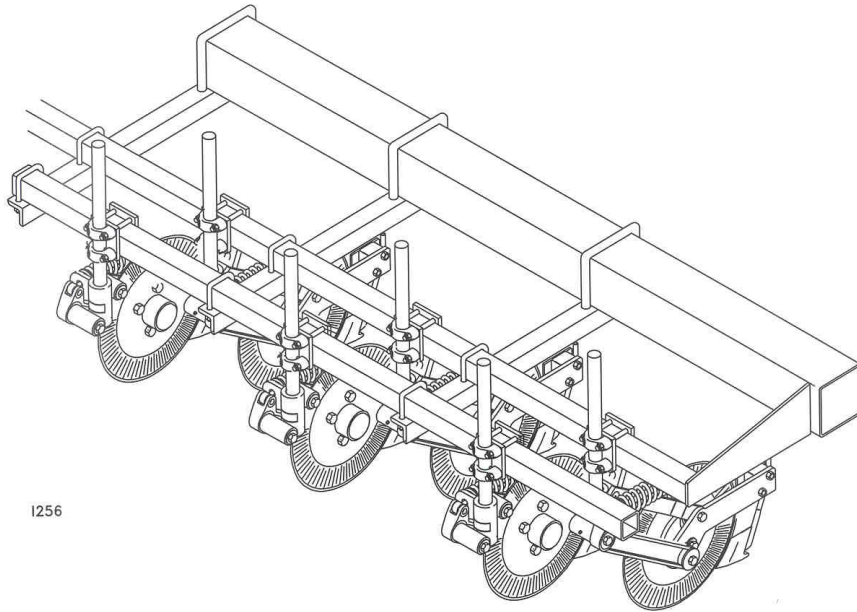
Model No.'s to Order for each planter configuration

		<i>Quantity to order for each planter</i>			
		4 R N/W	6 R N	6 R W	8 R N
DOUBLE COULTERS 2 LIQUID FERT. COULTERS	2995-065-L <i>order 2990-163 & 3010-303 and choice of blade</i>	4	6	6	N.A.
	2995-065-R <i>order 2990-163 & 3011-302 and choice of blade</i>	4	6	6	N.A.
1 DRY / 1 LIQUID FERT. COULTERS	2995-075-L <i>order 2990-163 & 3010-303 and choice of blade.</i>	4	6	N.A.	N.A.
	2995-065-L/R <i>order 2990-163 & 3010-303 and choice of blade.</i>	4	6	N.A.	N.A.
	2975-130 (extension kit) Required	1	1		N.A.
1 LIQUID FERT/ and 1 COMBO UNIT	2995-065-L/R <i>order 2990-163 & 3011-302 and choice of blade.</i>	2 and 2	3 and 3	3 and 3	4 and 4
	2960-127 (coulters only)** or 2960-034 Coulters w/ U.N.T. bracket ** 2967-007A U.N.T. Residue Manager kit or 2967-042B Titan Residue Manager for JD Coulters or 2967-115A (for use with 2960-127 coulters only)**	4 8	6 10	6 12	8 16
JD LIQUID FERTILIZER COMBO UNIT ONLY	2960-034 Coulters w/ U.N.T. bracket** or 2960-127 (coulters only)** See below	4	6	6	8
	2967-007A U.N.T. Residue Manager kit or 2967-035A Titan Universal or 2967-042B Titan Residue Manager for JD Coulters or 2967-115A (for use with 2960-015)	 4 4	 6 6	 6 6	 8 8

** See the price book for blade choices.

**JOHN DEERE 1750 Conservation Planter
JOHN DEERE 7200 Drawn Planter
4 and 6 Row**

Equipped with: 2975-130 -- 4 N/W & 6 N (front bar kit)
2995-065-L/R liquid unit
2990-154 – clamp kit
2990-318 – 16” shank



(partial illustration of 6 row model shown)

Illustration may not accurately depict row spacing.

Note - The two coulters for each row require straight shanks and must be mounted a minimum distance of 2"-3" from either side of the row. Each shank mounts on the front of the bar.

Note - For double coulters with other coulters combinations, the same configuration shown would apply.

Note - Double coulters are not applicable on 8 row 30" planter frames.