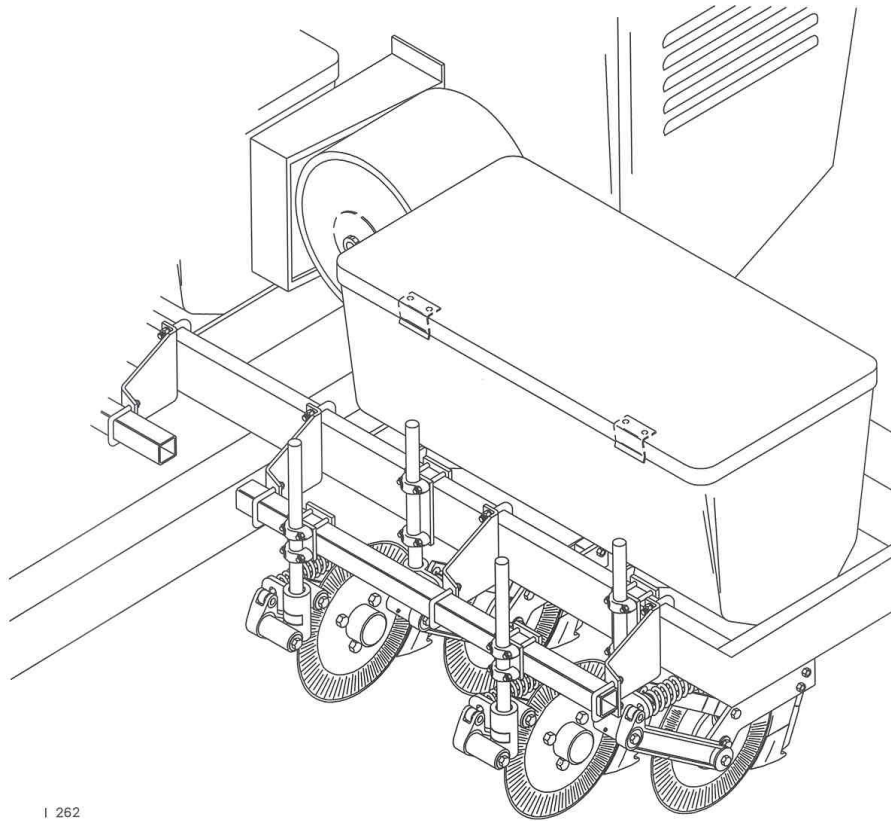


## CASE/IH 800-900/950/955/1200 NEW HOLLAND SP480

### Rigid Trailing Cyclo Planter

#### 4, 6, 8, and 12 Row

*Equipped with:* 2" x 6" fertilizer frame  
2970-044 -- 4 W, 8 N, and 8 W (extension bar kit) or  
2970-063 -- 6 N & 12 N (extension bar kit)  
2995-065-R liquid fert. Coulter 2" x 6" bar  
2990-155 clamp kit, 3010-303 22" straight shank  
2995-075-L dry fert. Coulter for 2 1/2" sq. bar  
2990-154 clamp kit, 3010-303 22" straight shank



(Partial illustration of 4 row model shown)

Illustration may not accurately depict row spacing.

Note – The two coulters for each row require straight shanks and must be mounted a minimum Distance of 2" – 3" from either side of the row. Each shank mounts on the front of the bar.

Note – For double coulters with other coulters combinations, the same configuration shown Would apply.